

LONKING 龙工

CDM856D.00
WHEEL LOADER

PARTS BOOK

Preface

Thank you for selecting our products.

The Parts Book is specifically for the CDM856D.00 wheel loader with standard configuration, which provides relevant detailed information about all systems/assemblies/parts, including Chinese/English description, part number, specification and quantity per unit etc.

Non-standard products configured with other brand diesel engine, transmission, axles and optional parts, and modified loaders, e.g. coal loader, rock loader and high dump loader etc, can cause some changes in the systems/assemblies/parts, which are not listed in the Parts Book. Product improvement or supplier alteration might make parts different. If you have any question about the manual, please contact us or your nearest dealer.

In addition to parts description, specification and quantity, the Serial Number and Manufacture Date of specified machine should be supplied with spare parts order, so that we can deliver you correct parts in time.

Customers are sincerely requested to give us suggestions with contact information on the back cover.

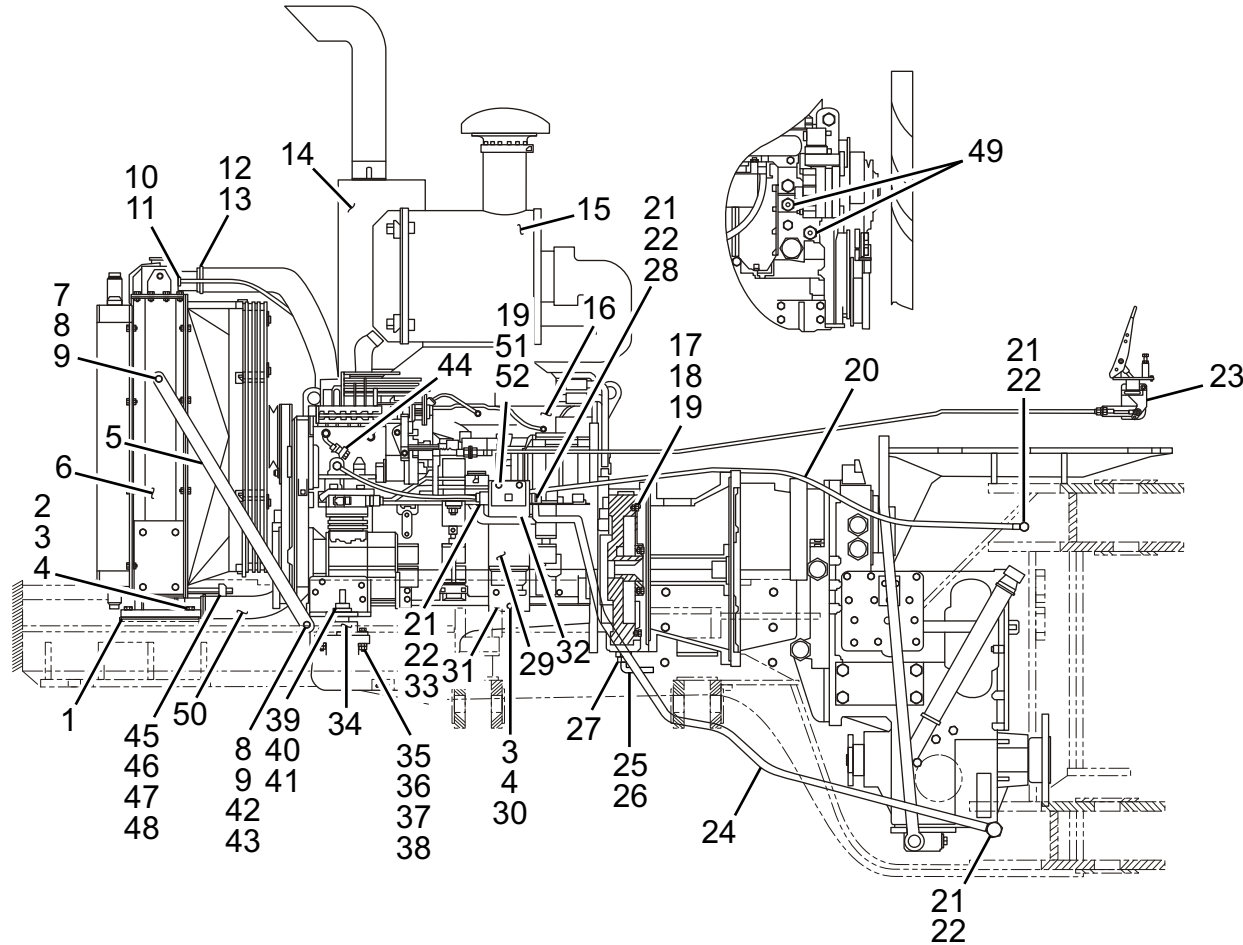
Lonking Holdings Limited

Jul, 2009

Contents

I. Diesel Engine System	01	VI. Steerling Hydraulic System	83
1.1 Diesel engine system	01	6.1 Steerling hydraulic system	83
1.2 Throttle control assembly	07	6.2 Hydraulic steering gear	91
II. Torque Converter system	09	6.3 Steering Cylinder.....	93
2.1 Torque converter system	05	VII. Implement Hydraulic System	97
2.2 Torque converter and Transmission oil circuit assembly	11	7.1 Implement hydraulic system	97
2.3 Torque convertrer	15	7.2 Hydraulic tank assembly	109
III. Transmission System	23	7.3 Lift cylinder	113
3.1 Transmission system	23	7.4 Oil supply valve	117
3.2 Transmission assembly I	25	7.5 Tilt cylinder	119
3.3 Transmission assembly II	29	7.6 Fuel tank assembly.....	123
3.4 Shaft I assembly	31	7.7 Pilot control system.....	127
3.5 Shaft II assembly	33	VIII. Service Brake System	131
3.6 Shaft III assembly	35	8.1 Service brake system	131
3.7 Shaft IV assembly	39	8.2 Air tank assembly	139
3.8 Planet lines	41	8.3 Disc brake	141
3.9 Speed control valve	47	IX. Emergency And Parking Brake System	145
3.10 Transmission pump	51	X. Frame System	149
3.11 Oil pan assembly	55	XI. Implement Assembly System	157
3.12 Parking brake	57	XII. Cab System	161
IV. Axle System	59	XIII. Out Panel System	171
4.1 Axle system	59	XIV. Electrical System	173
4.2 Main reducer assembly	61	XV. Tool Kit	181
4.3 Standard 50F axle I	67	XVI. Warning Mark System	187
4.4 Differential assembly for standard 30F axle	73	XVII. Greasing Points Indication Layout	191
4.5 Front drive shaft	75	XVIII. Wiring Harness	192
4.6 Intermediate support	77		
4.7 Intermediate / Rear drive shaft assembly	79		
V. Control System	81		
5.1 Control system	81		

6CTA8.3-C215 柴油机系统 (6CTA8.3-C215 Diesel engine assembly)

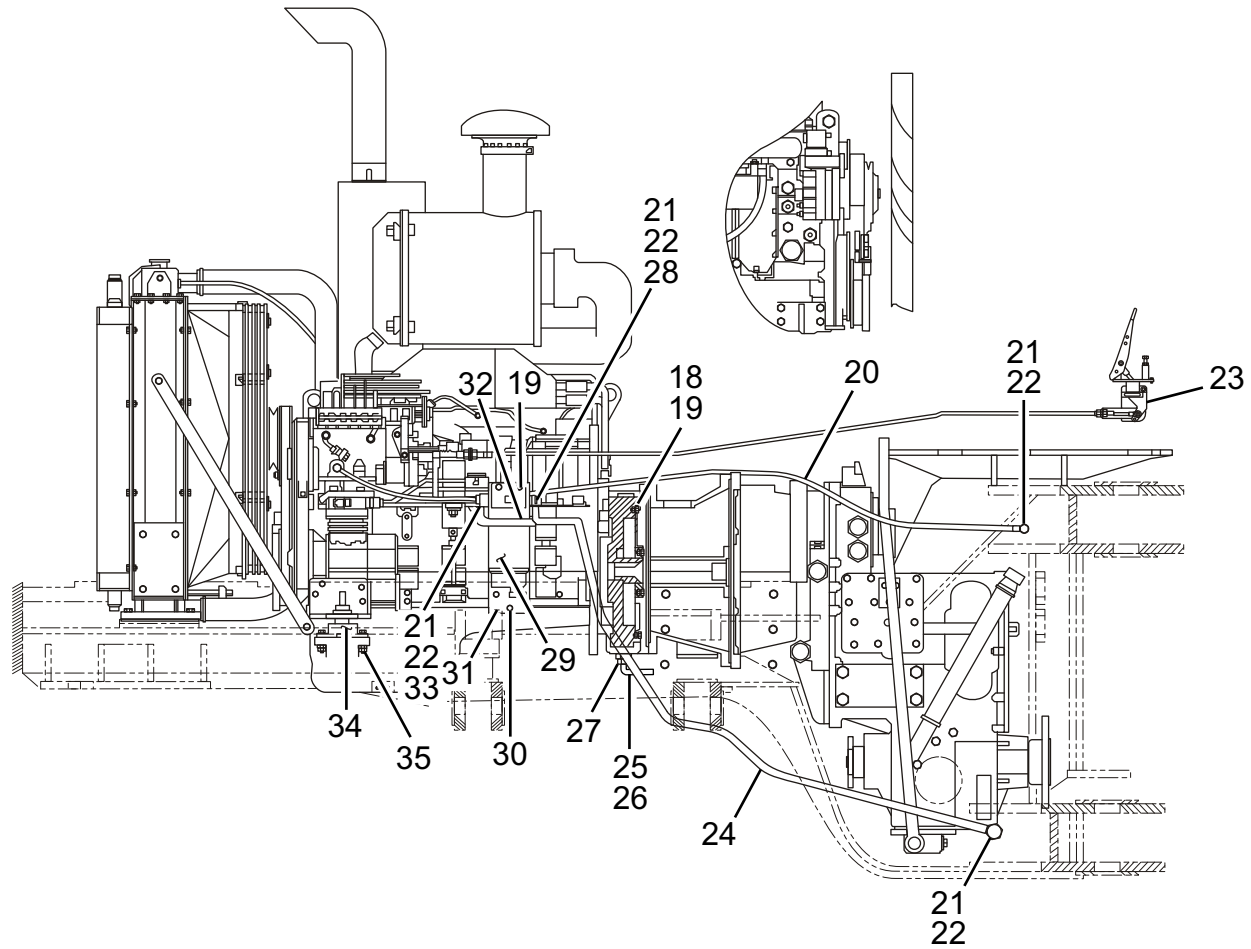


DIESEL ENGINE ASSEMBLY

6CTA8.3-C215 柴油机系统 (6CTA8.3-C215 Diesel engine assembly)

Item	Parts number	Chinese Description	English Description	Specification	Qty	Remarks
1	CDM856E.01 I -001	水箱胶垫	Radiator rubber pad		2	
2	GB/T5783	螺栓	Bolt	M12 × 45	4	8.8
3	GB/T93	垫圈	Washer	12	4	
4	GB/T97.1	垫圈	Washer	12	4	
5	LG853.01-008	水箱支撑杆	Radiator support		2	借用
6	CDM856E.01 I .04	水箱总成	Radiator		1	外购
7	GB/T5783	螺栓	Bolt	M12 × 30	2	8.8
8	GB/T93	垫圈	Washer	12	4	
9	GB/T97.1	垫圈	Washer	12	4	
10	HG/T2184	透气管	Vent pipe	1-b-10 × 800	1	
11	JB/T8870	喉箍	Hoop	Φ10-16	2	
12	CDM856E.01 I -007	发动机出水管	Engine outlet water hose		1	
13	JB/T8870	喉箍	Hoop	Φ50-70	4	
14	CDM855E.01 IV .01	消声器总成	Muffle		1	柴油机自带
15	CDM855E.01 IV .02	空滤器总成	Air foreordain cleaner		1	柴油机自带
16	CDM856E.01 I .03	柴油机	Diesel engine		1	东康 6CTA8.3-C215 (订货号 SO21372)
17	LG853.02-001	双头螺栓	Stud bolt		12	借用 /8.8

6CTA8.3-C215 柴油机系统 (6CTA8.3-C215 Diesel engine assembly)

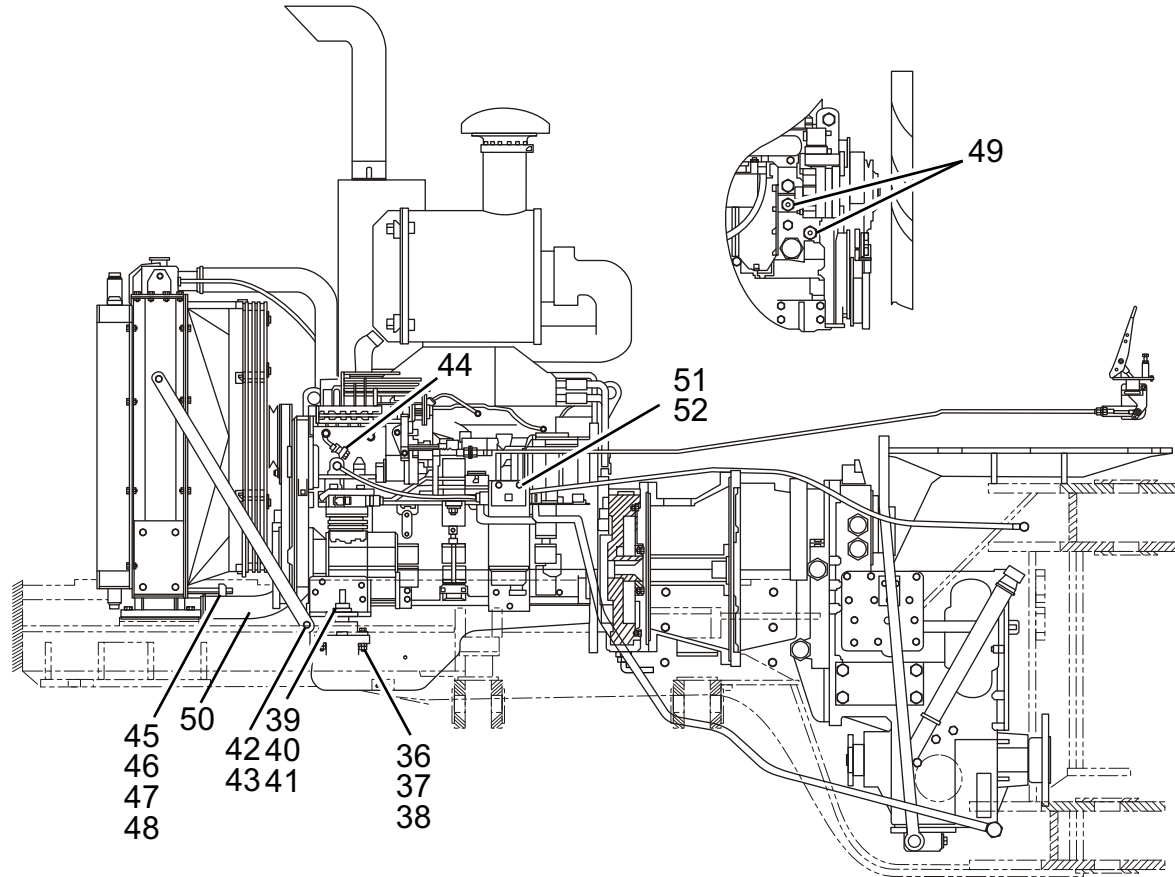


DIESEL ENGINE ASSEMBLY

6CTA8.3-C215 柴油机系统 (6CTA8.3-C215 Diesel engine assembly)

Item	Parts number	Chinese Description	English Description	Specification	Qty	Remarks
18	GB/T6171	螺母	Nut	M10 × 1	12	
19	GB/T93	垫圈	Washer	10	12	
20	CDM856E.01 I .05	柴油机回油胶管	Fuel oil return pipe		1	
21	LG853.08-011	垫圈	Washer		12	借用
22	CDM855E.01 I -008	空心螺栓	Hollow bolt		6	借用
23	CDM856E.01 I .06	油门操纵总成	Throttle control assembly		1	
24	CDM856E.01 I .07	滤清器到燃油箱胶管	Hose from Filter to Fuel tank		1	
25	GB/T15329.1	变矩器回油管	Torque converter oil return hose		1	
26	JB/T8870	喉箍	Hoop	Φ8-20	2	
27	LG853.01 I .02	变矩器回油接头	Torque converter oil return connector		1	借用
28	CDM855E.01 I -003	柴油机进油接头	Fuel inlet connector		1	借用
29	CDM856E.01 I .08	燃油滤清器总成	Fuel filter assembly		1	R120T
30	GB/T5783	螺栓	Bolt	M12 × 30	5	8.8
31	CDM856E.01 I .12	滤清器连接板	Filter connection board		1	
32	CDM855E.01 IV .05	滤清器到柴油机进油胶管	Fuel hose from filter to engine		1	借用
33	CDM855E.01 I -004	滤清器接头	Filter connector		2	借用
34	QX518.26.04	E 型减震器	E-type absorber		2	借用 /EA220
35	GB/T5783	螺栓	Bolt	M14 × 80	4	8.8

6CTA8.3-C215 柴油机系统 (6CTA8.3-C215 Diesel engine assembly)

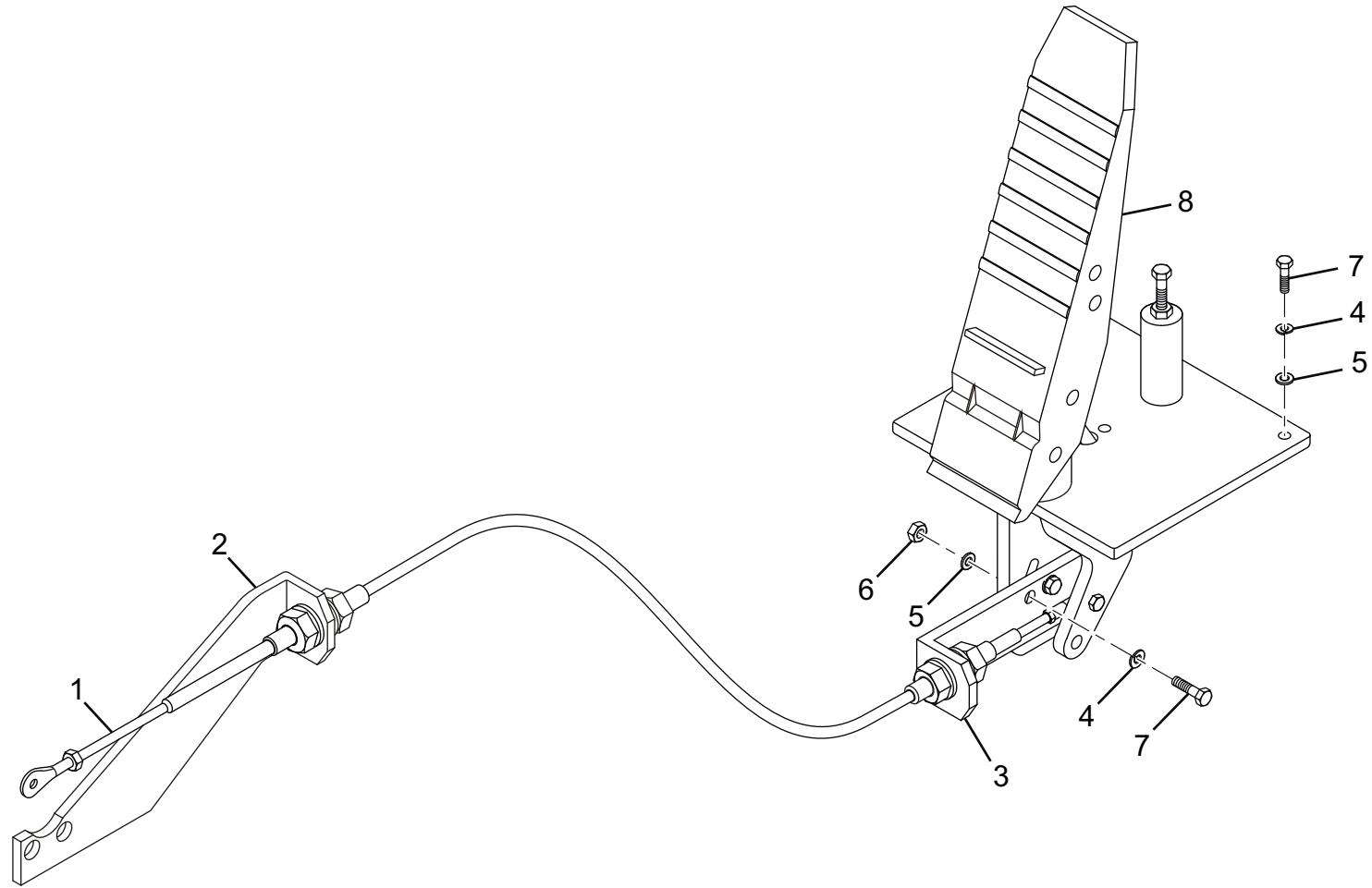


DIESEL ENGINE ASSEMBLY

6CTA8.3-C215 柴油机系统 (6CTA8.3-C215 Diesel engine assembly)

Item	Parts number	Chinese Description	English Description	Specification	Qty	Remarks
36	GB/T97.1	垫圈	Washer	14	4	
37	GB/T93	垫圈	Washer	14	4	
38	GB/T 6170	螺母	Nut	M14	8	8
39	GB/T5783	螺栓	Bolt	M22 × 55	2	8.8
40	GB/T97.1	垫圈	Washer	22	2	
41	GB/T93	垫圈	Washer	22	2	
42	GB/T5783	螺栓	Bolt	M12 × 35	2	8.8
43	GB/T6170	螺母	Nut	M12	2	8
44	CDM855E.01 I -002	柴油机回油接头	Engine fuel return connector		1	借用
45	LG853.01-005	线夹	Wire clip		1	借用
46	GB/T5783	螺栓	Bolt	M8 × 20	1	8.8
47	GB/T97.1	垫圈	Washer	8	1	
48	GB/T93	垫圈	Washer	8	1	
49	CDM855E.01 IV -003	暖风接头	Heater connector		2	借用
50	CDM856E.01 I -008	发动机进水管	Engine inlet water hose		1	
51	GB/T5783	螺栓	Bolt	M10 × 30	2	8.8
52	GB/T97.1	垫圈	Washer	10	2	

油门操纵总成 (Throttle control assembly) (CDM856E.01 I .06)

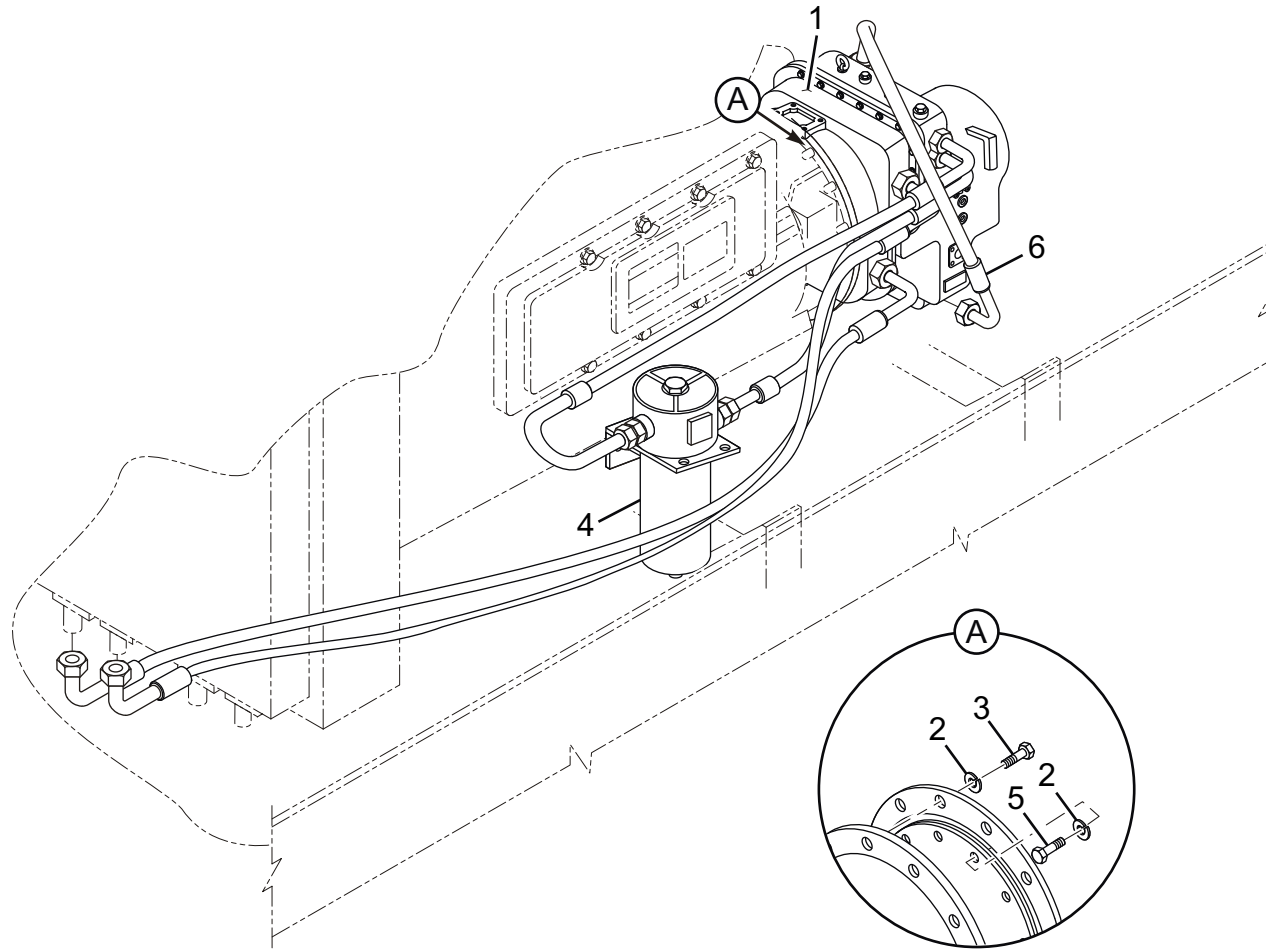


THROTTLE CONTROL ASSEMBLY

油门操纵总成 (Throttle control assembly) (CDM856E.01 I .06)

Item	Parts number	Chinese Description	English Description	Specification	Qty	Remarks
1	CDM856E.01 I .06.01	油门软轴总成	Throttle flexible shaft	L=2400mm	1	外购
2	CDM855E.01 I .06-001	软轴固定架	Flexible shaft fixed support		1	柴油机随机安装 / 无图
3	LG853.01.06-002	软轴支架	Flexible shaft support		1	借用
4	GB/T93	垫圈	Washer	6	5	
5	GB/T97.1	垫圈	Washer	6	7	
6	GB/T6170	螺母	Nut	M6	2	8
7	GB/T5783	螺栓	Bolt	M6 × 20	5	8.8
8	LG853.01.06.02	油门踏板总成	Throttle pedal assembly		1	借用 / 外购无图

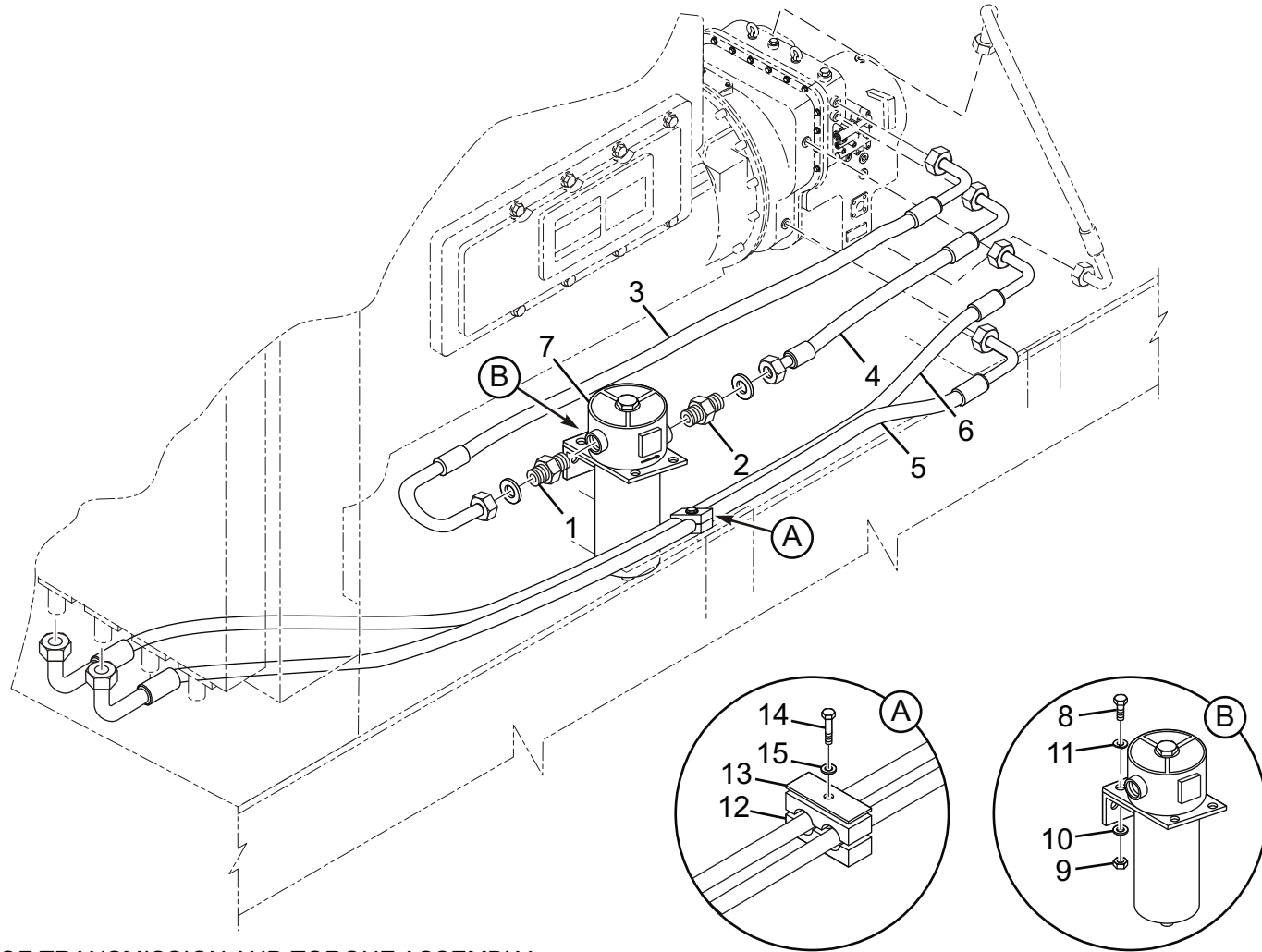
变矩器系统 (Torque converter system)



TORQUE CONVERTER SYSTEM

变矩器系统 (Torque converter system)						
Item	Parts number	Chinese Description	English Description	Specification	Qty	Remarks
1	LG853.02.01	变矩器总成	Torque converter assembly		1	用 LG853.01 I .02 变矩器回油接头
2	GB/T93-1983	垫圈	Washer	12	18	
3	GB/T5782-2000	螺栓	Bolt	M12 × 45	12	8.8
4	CDM856E.02 I .02	双变油路总成	Oil circuit of transmission and torque converter assembly		1	
5	GB/T5786-2000	螺栓	Bolt	M12 × 50	6	8.8
6	LG50EX.02-001	吸油胶管	Oil suction hose	A90° 26° 38 I × 1800	1	无图 / 双变总成带

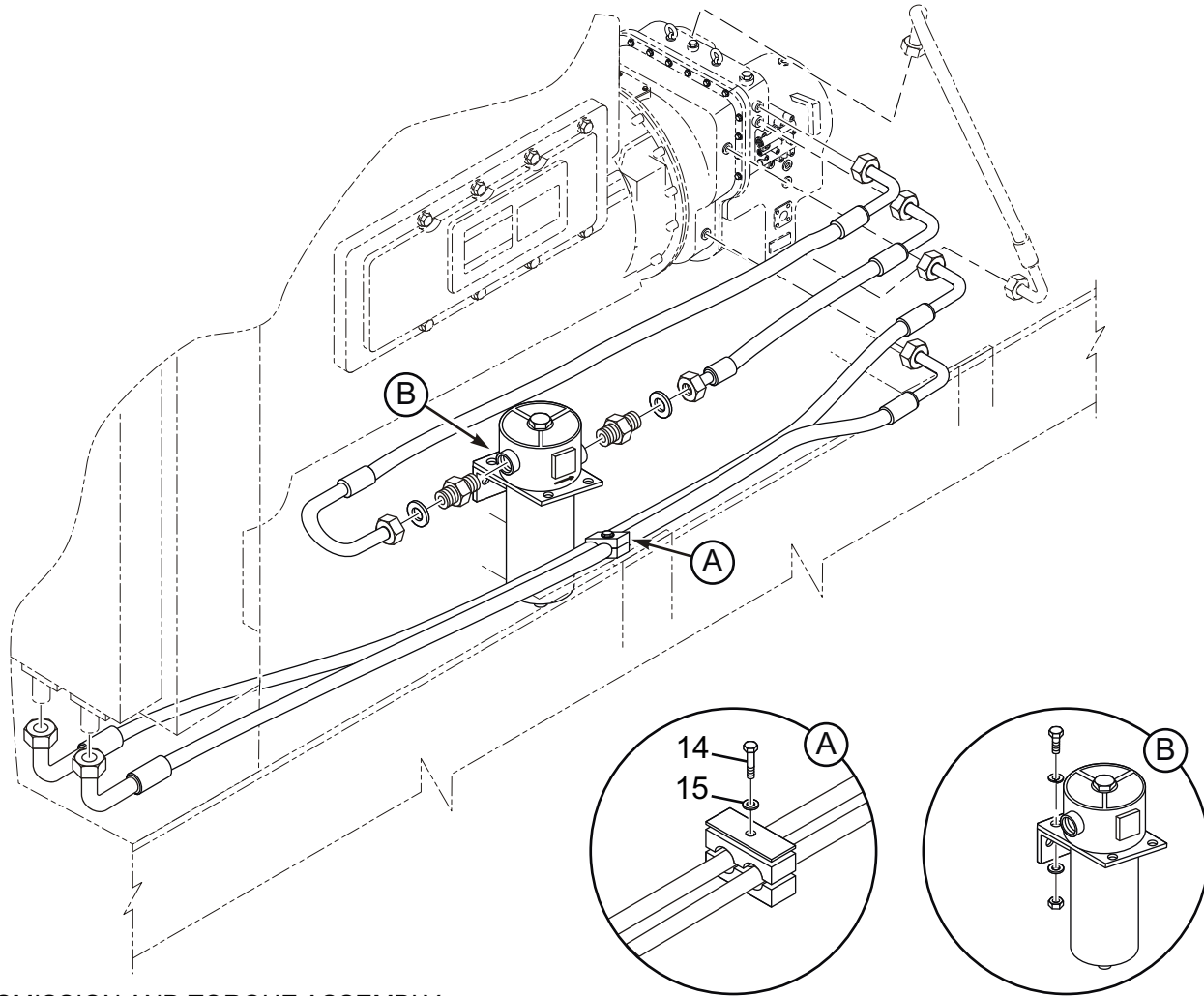
双变油路总成 (Oil circuit of transmission and torque assembly) (CDM856E.02 I .02)



OIL CIRCUIT OF TRANSMISSION AND TORQUE ASSEMBLY

双变油路总成 (Oil circuit of transmission and torque assembly) (CDM856E.02 I .02)						
Item	Parts number	Chinese Description	English Description	Specification	Qty	Remarks
1	L1CH-36-30D	接头体	Adapter		1	锐帆德
2	L1CH-27D	接头体	Adapter		1	锐帆德
3	180H-270°-90H-25/28-I-L1080+RC	变矩器至滤油器胶管	Hose from torque converter to oil filter		1	锐帆德
4	20411-27T/20491-36T*1W16*750+RC	滤油器至变矩器胶管	Hose from oil filter to torque converter		1	锐帆德
5	20491-36T*1W16*2200/90°+RC	变矩器至冷却器胶管	Hose from torque converter to cooler		1	锐帆德
6	20491-36T*1W16*2300/90°+RC	变矩器到粗滤器胶管	Hose from torque converter to strainer		1	锐帆德
7	LG855.02.02.01	双变滤油器	Oil filter of transmission and torque converter		1	YFL-A400 × 25LS-G3
8	GB/T5783-2000	螺栓	Bolt	M8 × 35	4	8.8
9	GB/T6170-2000	螺母	Nut	M8	4	8
10	GB/T97.1-2002	垫圈	Washer	8	4	
11	GB/T93-1987	垫圈	Washer	8	4	
12	CDM853.02.02-001	橡胶管夹	Rubber pipe clamp		2	外购
13	CDM853.02.02-002	自制压板	Self-made press plate		1	借用

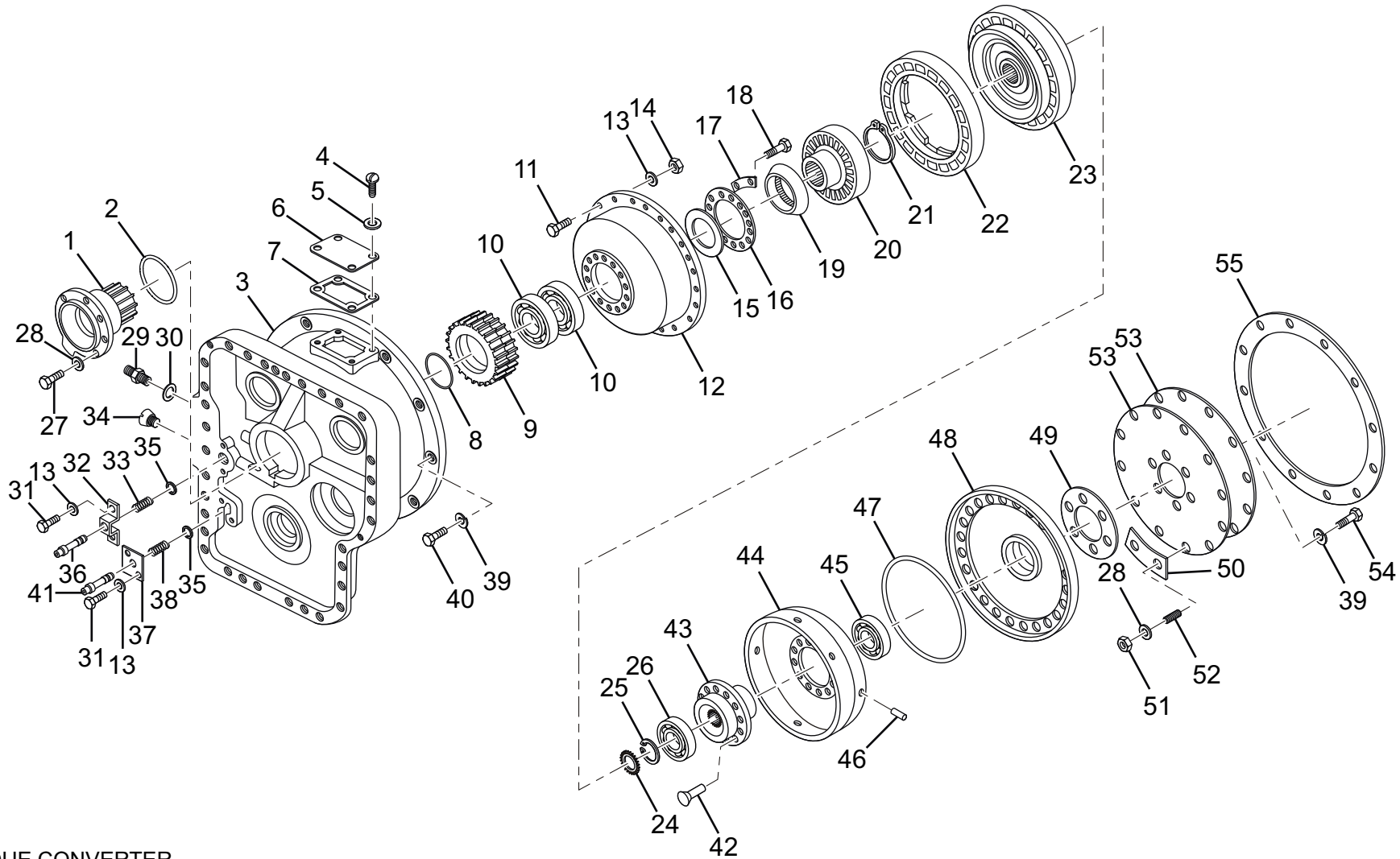
双变油路总成 (Oil circuit of transmission and torque assembly) (CDM856E.02 I .02)



OIL CIRCUIT OF TRANSMISSION AND TORQUE ASSEMBLY

双变油路总成 (Oil circuit of transmission and torque assembly) (CDM856E.02 I .02)						
Item	Parts number	Chinese Description	English Description	Specification	Qty	Remarks
14	GB/T5782-2000	螺栓	Bolt	M10 × 75	1	标准件 /8.8
15	GB/T93-1987	垫圈	Washer	10	1	标准件

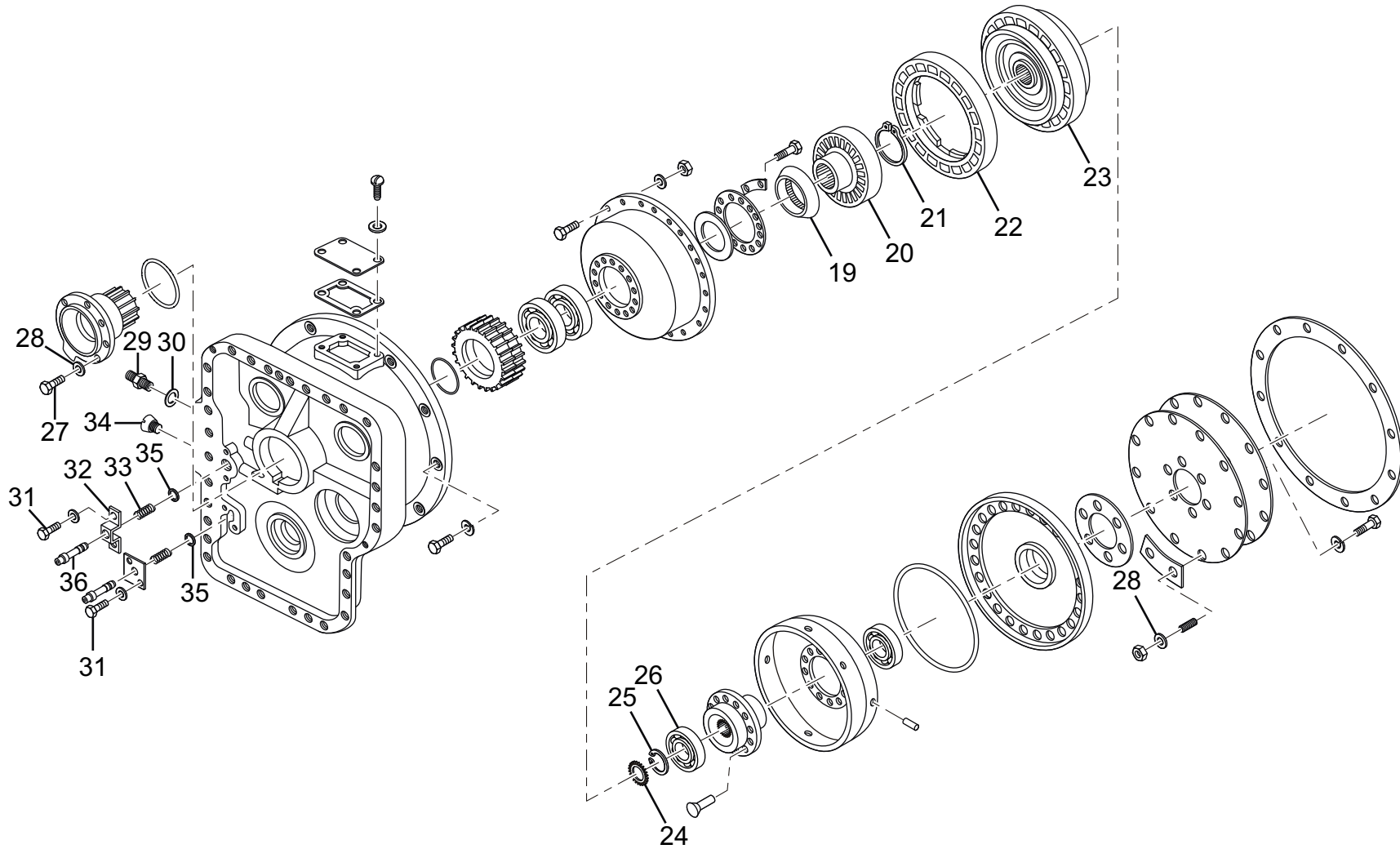
液力变矩器 Torque converter (LG853.02.01)



TORQUE CONVERTER

液力变矩器 Torque converter (LG853.02.01)						
Item	Parts number	Chinese Description	English Description	Specification	Qty	Remarks
1	402222	导轮座	Idle wheel seat		1	
2	GB1235.1-82	密封环	Seal ring		2	
3	402216A	壳体	Torque converter body		1	
4	GB67-85	半圆头螺钉	Half round screw	M6 × 16	4	
5	GB93-87	垫圈	Washer	6	4	
6	402214	观察盖	Access cover		1	
7	402215	纸垫	Paper gasket		1	
8	402221	密封环	Seal ring		2	
9	402220	齿轮	Gear		1	
10	GB276-89	轴承	Bearing	117	2	
11	GB5782-86	螺栓	Bolt	M8 × 35	24	
12	402227	泵轮	Pump wheel		1	
13	GB93-87	垫圈	Washer	8	36	
14	GB6170-86	螺母	Nut	M8	24	
15	402224	调整垫片	Adjusting shim		1 组	
16	402226	压板	Press plate		1	
17	402218	防松垫片	Check gasket		6	
18	GB5783-86	螺栓	Bolt	M8 × 30	14	

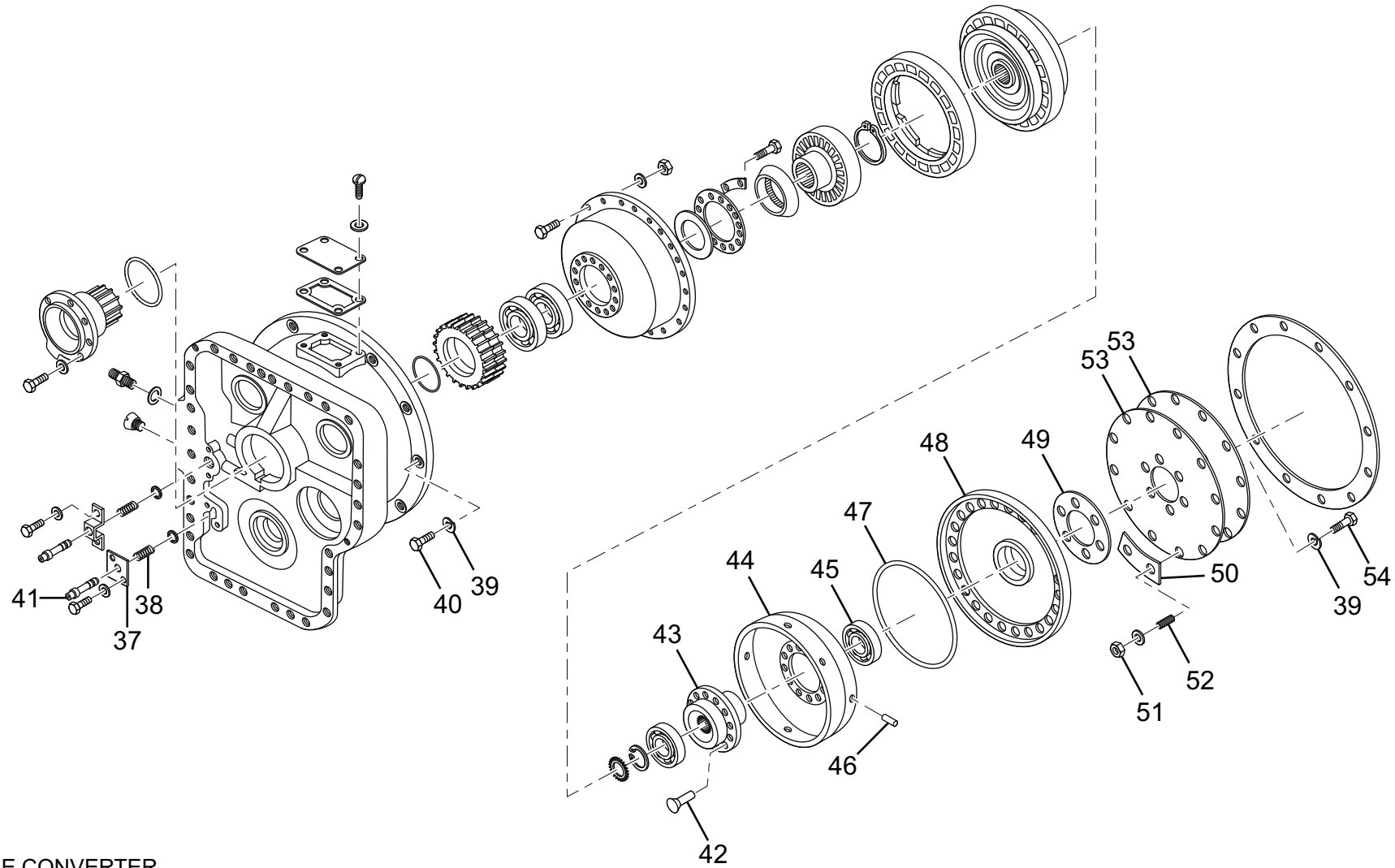
液力变矩器 Torque converter (LG853.02.01)



TORQUE CONVERTER

液力变矩器 Torque converter (LG853.02.01)						
Item	Parts number	Chinese Description	English Description	Specification	Qty	Remarks
19	402225	导油环	Oil guide ring		1	
20	402217	导轮	Idle wheel		1	
21	GB894.1-86	挡圈	Sprag	80	1	
22	402209	一级涡轮	First stage turbine		1	
23	402212-213	二级涡轮	Second stage turbine		1	
24	402238	花键调整垫片	Spline adjusting shim		1 组	
25	GB893.1-86	挡圈	Sprag	50	1	
26	GB276-89	轴承	Bearing	113	1	
27	GB5783-86	螺栓	Bolt	M10 × 28	8	
28	GB93-87	垫圈	Washer	10	20	
29	402111A	管接头	Pipe connector		2	
30	402106	垫圈	Washer		2	
31	GB5783-86	螺栓	Bolt	M8 × 16	8	
32	402228A	阀盖	Valve cover		1	
33	402229	弹簧 I	Spring I		1	
34	402223	螺塞	Plug screw		1	
35	402232	垫片	Gasket		2	
36	402233	进口阀芯	Inlet valve spool		2	

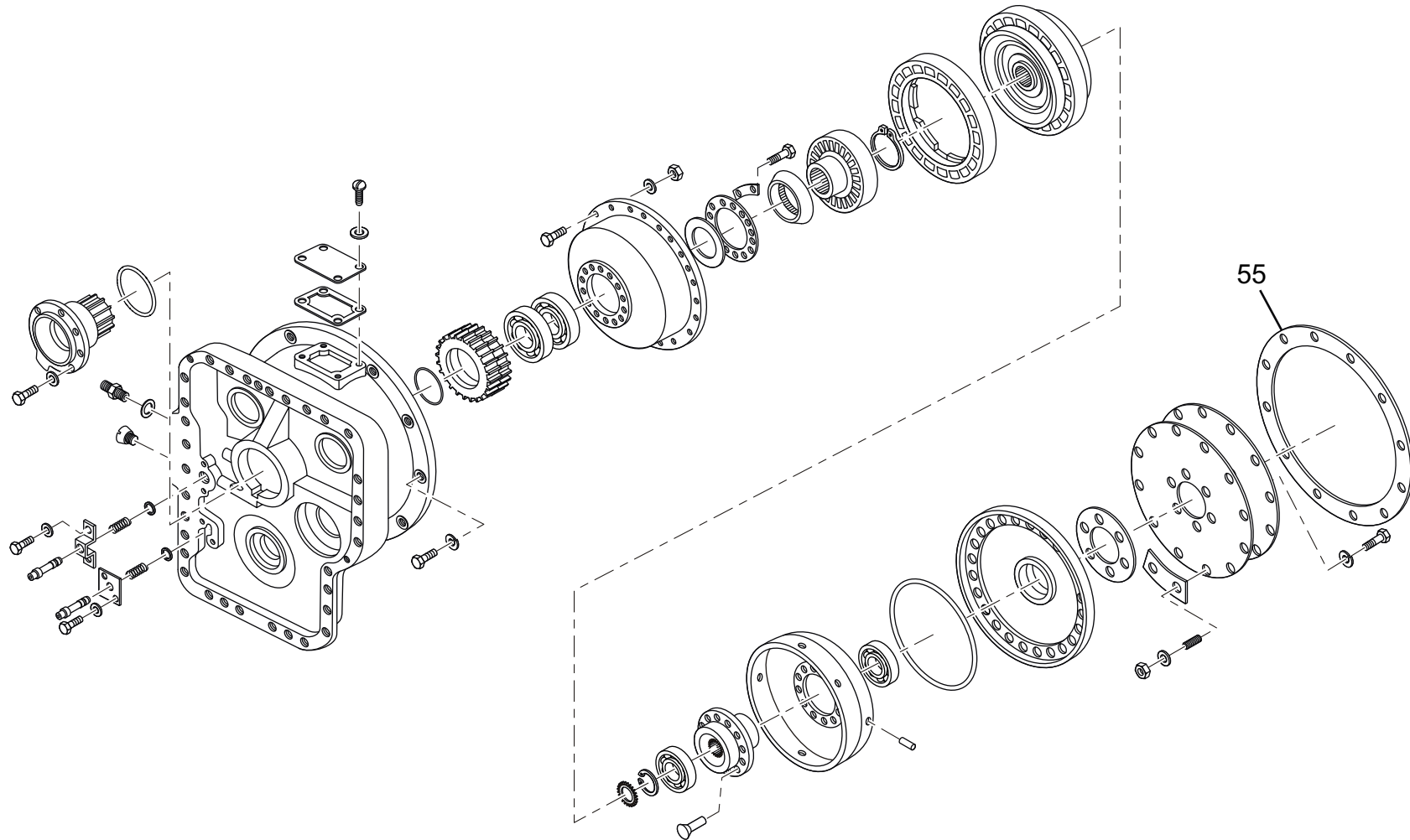
液力变矩器 Torque converter (LG853.02.01)



TORQUE CONVERTER

液力变矩器 Torque converter (LG853.02.01)						
Item	Parts number	Chinese Description	English Description	Specification	Qty	Remarks
37	402230	垫板	Tie plate		1	
38	402231	弹簧 II	Spring II		1	
39	GB93-87	垫圈	Washer	12	36	
40	GB5782-86	螺栓	Bolt	M12 × 45	12	
41	402234	出口阀芯	Outlet valve spool		1	
42	GB869-86	沉头铆钉	Countersunk head rivet	8 × 16	12	
43	402206	一级涡轮毂	First stage turbine hub		1	
44	402207	一级涡轮罩	First stage turbine hood		1	
45	GB276-89	轴承	Bearing	210	1	
46	402208	弹性销	Spring pin		9	
47	402236	O 形密封圈	O-ring		1	
48	402203	罩轮	Hood wheel		1	
49	402210	圆垫板	Round tie plate		1	
50	402201	垫片	Gasket		6	
51	GB6171-86	螺母	Nut	M10 × 1	12	
52	GB898-86	双头螺栓	Stud	AM10 × 18	12	
53	4022042	弹性板	Spring plate	δ=1.0	2	
54	GB5782-86	螺栓	Bolt	M12 × 30	6	

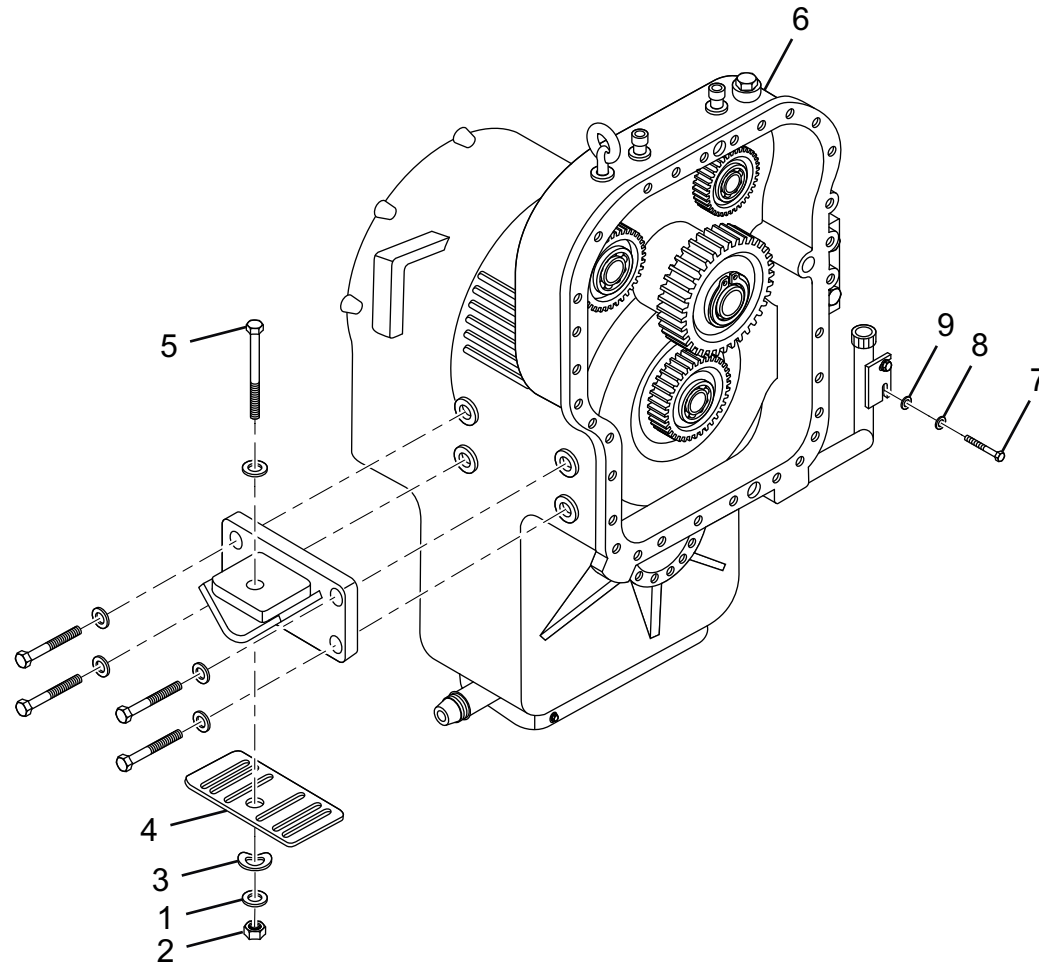
液力变矩器 Torque converter (LG853.02.01)



TORQUE CONVERTER

液力变矩器 Torque converter (LG853.02.01)						
Item	Parts number	Chinese Description	English Description	Specification	Qty	Remarks
55	402211	纸垫	Paper gasket		1 组	

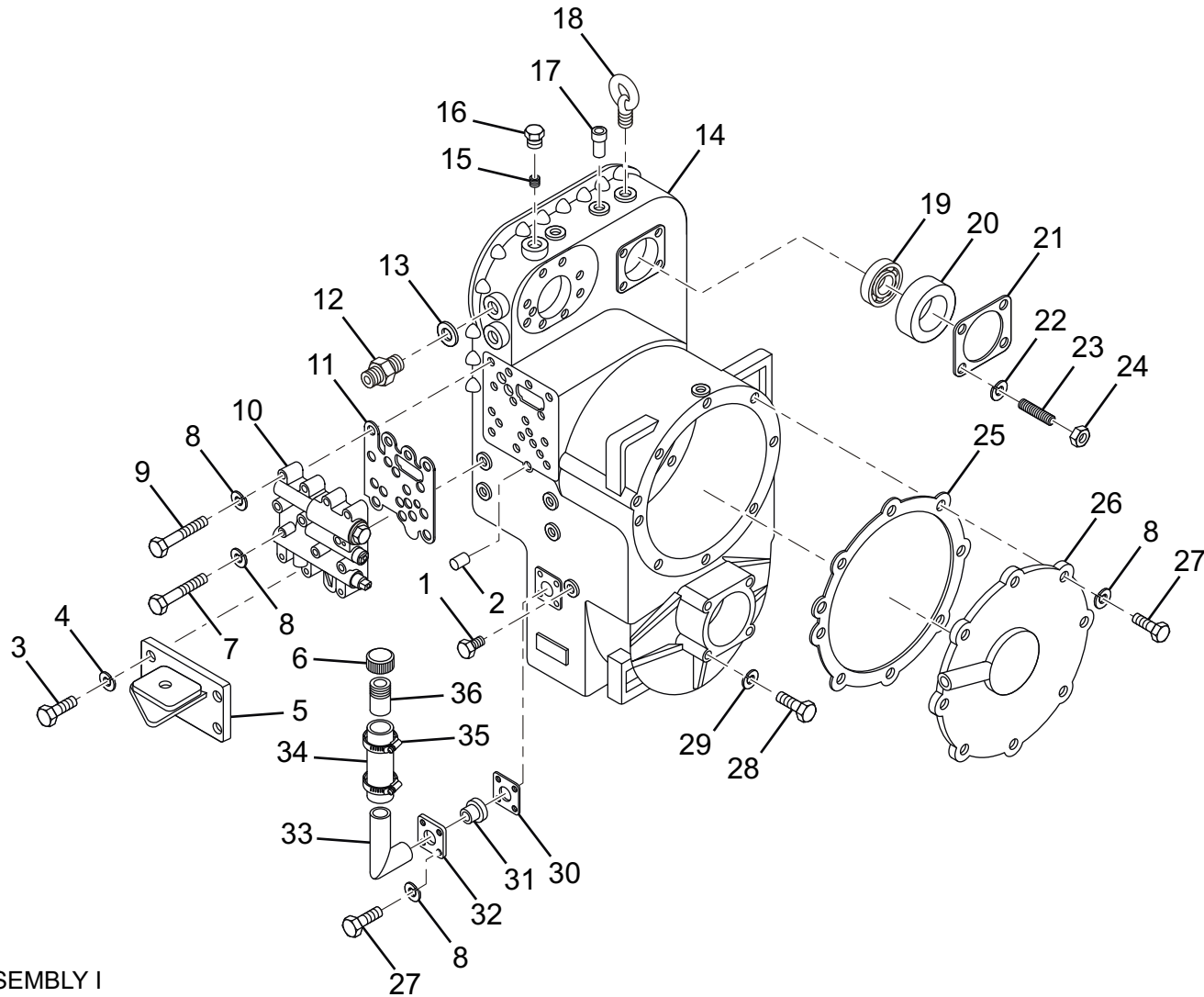
变速箱系统 Transmission system



TRANSMISSION SYSTEM

变速箱系统 Transmission system						
Item	Parts number	Chinese Description	English Description	Specification	Qty	Remarks
1	GB/T93-1987	垫圈	Washer	18	4	
2	GB/T6170-2000	螺母	Nut	M18	2	8
3	LG853.03-001	弧形垫圈	Arc washer		2	借用
4	LG853.03-002	橡胶垫	Rubber pad		2	借用
5	GB/T5782-2000	螺栓	Bolt	M18 × 140	2	8.8
6	LG50EX.03.01	变速箱总成	Transmission assembly		1	
7	GB/T5783-2000	螺栓	Bolt	M8 × 16	2	8.8
8	GB/T97.1-2002	垫圈	Washer	8	2	200HV
9	GB/T93-1987	垫圈	Washer	8	2	65Mn

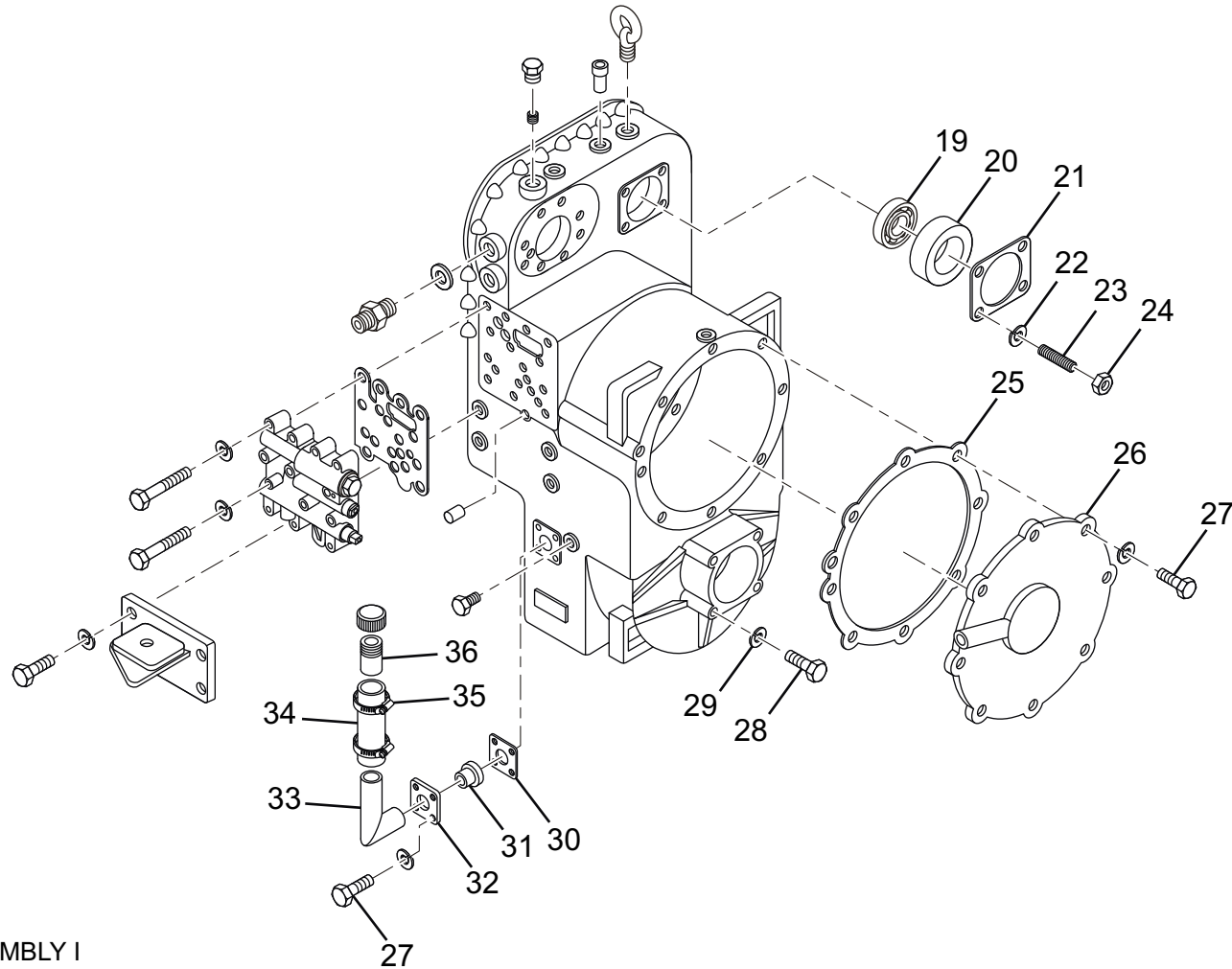
变速箱总成 I Transmission assembly I (LG50EX.03.01 I)



TRANSMISSION ASSEMBLY I

变速箱总成 I Transmission assembly I (LG50EX.03.01 I)						
Item	Parts number	Chinese Description	English Description	Specification	Qty	Remarks
1		检油塞	Oil check plug	Z 1/4"	2	
2	403022	圆柱销	Pillar pin		1	
3	GB5782-86	螺栓	Bolt	M18 × 40	8	
4	GB93-87	垫圈	Washer	18	8	
5	403032-034	连接座	Connecting seat		2	
6	403059	加油管盖	Oil filling pipe cover		1	
7	GB5782-86	螺栓	Bolt	M10 × 70	13	
8	GB93-86	垫圈	Washer	10	80	
9	GB5782-86	螺栓	Bolt	M10 × 75	5	
10	403700	变速操纵阀总成	Speed control valve assembly		1	LG853.03.01.13
11	403029	密封垫	Seal gasket		1	
12	402111A	管接头	Adapter		2	
13	402106	垫圈	Washer		2	
14	403005A	箱体	Transmission body		1	
15	403028	圆锥堵塞	Taper stopper		1	
16	402223	螺塞	Plug screw		1	
17	ZL30E.5.20	透气管总成	Vent pipe assembly		1	
18	GB825-86	吊环螺钉	Eye screw	M18	2	

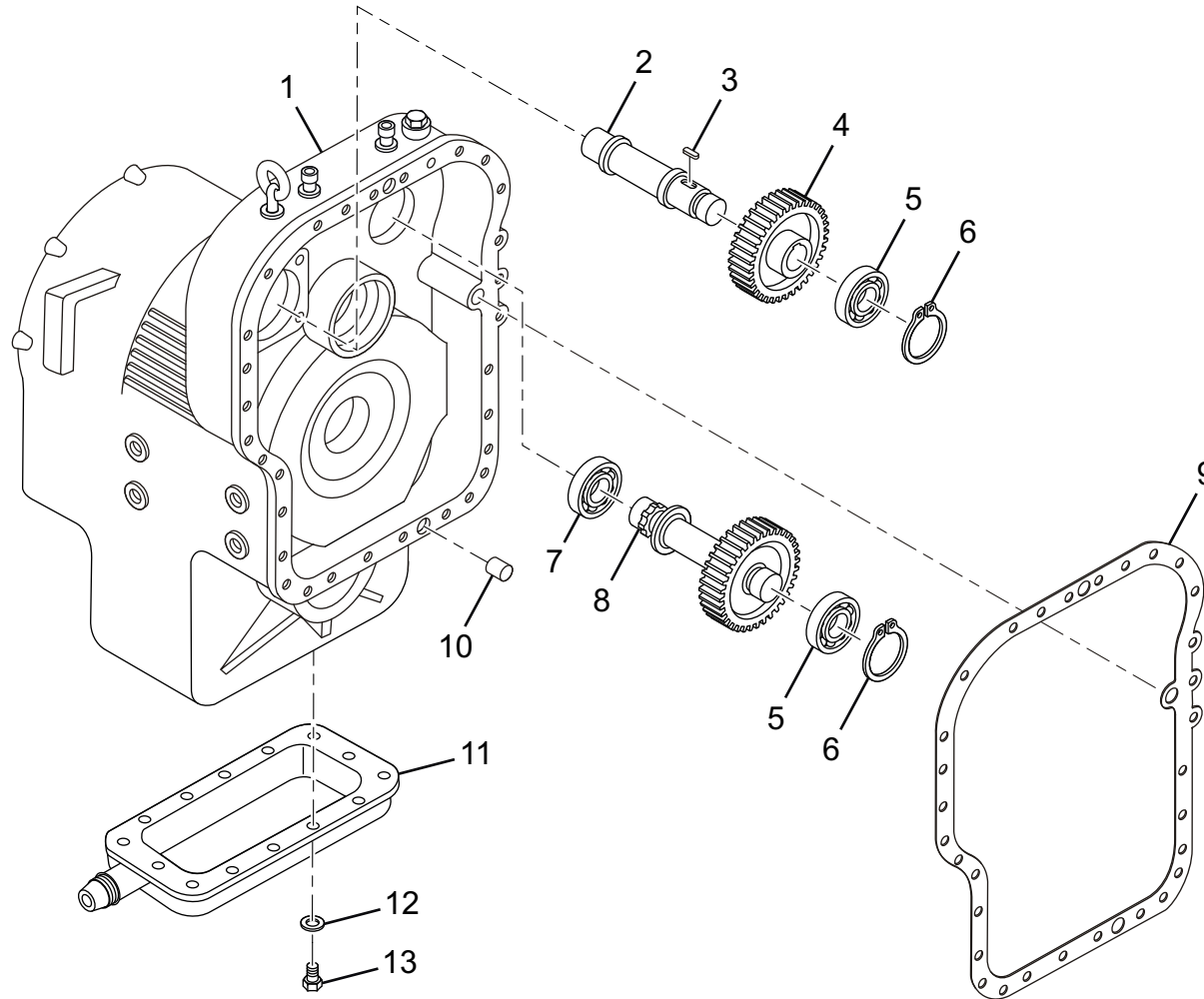
变速箱总成 I Transmission assembly I (LG50EX.03.01 I)



TRANSMISSION ASSEMBLY I

变速箱总成 I Transmission assembly I (LG50EX.03.01 I)						
Item	Parts number	Chinese Description	English Description	Specification	Qty	Remarks
19	GB276-89	球轴承	Ball bearing	6211/c3	1	进口轴承
20	403057	轴承套	Bearing sleeve		1	
21	403058	密封垫	Seal gasket		1	
22	GB93-87	垫圈	Washer	12	12	
23	GB897-74	双头螺栓	Stud	AM12 × 30	4	
24	GB6170-86	螺母	Nut	M12	4	
25	403001A	密封垫	Seal gasket		1	
26	403002B	端盖	End cover		1	
27	GB5783-86	螺栓	Bolt	M10 × 30	48	
28	GB6782-86	螺栓	Bolt	M14 × 30	4	
29	GB93-87	垫圈	Washer	14	4	
30	GB1235-76	O 型密封圈	O-ring	Φ 45 × 3.1	1	
31	403064A	压盖	Press cover		1	
32	407021A	压板	Press plate		1	
33	403061C	加油管 B	Oil filling pipe B		1	
34	Q / (HG4) JG21-94	夹布胶管	Fabric hose	Φ 52 × Φ 42 × 350	1	
35	JB/T 8870	喉箍	Pipe clamp	d50	2	
36	403060C	加油管 A	Oil filling pipe A		1	

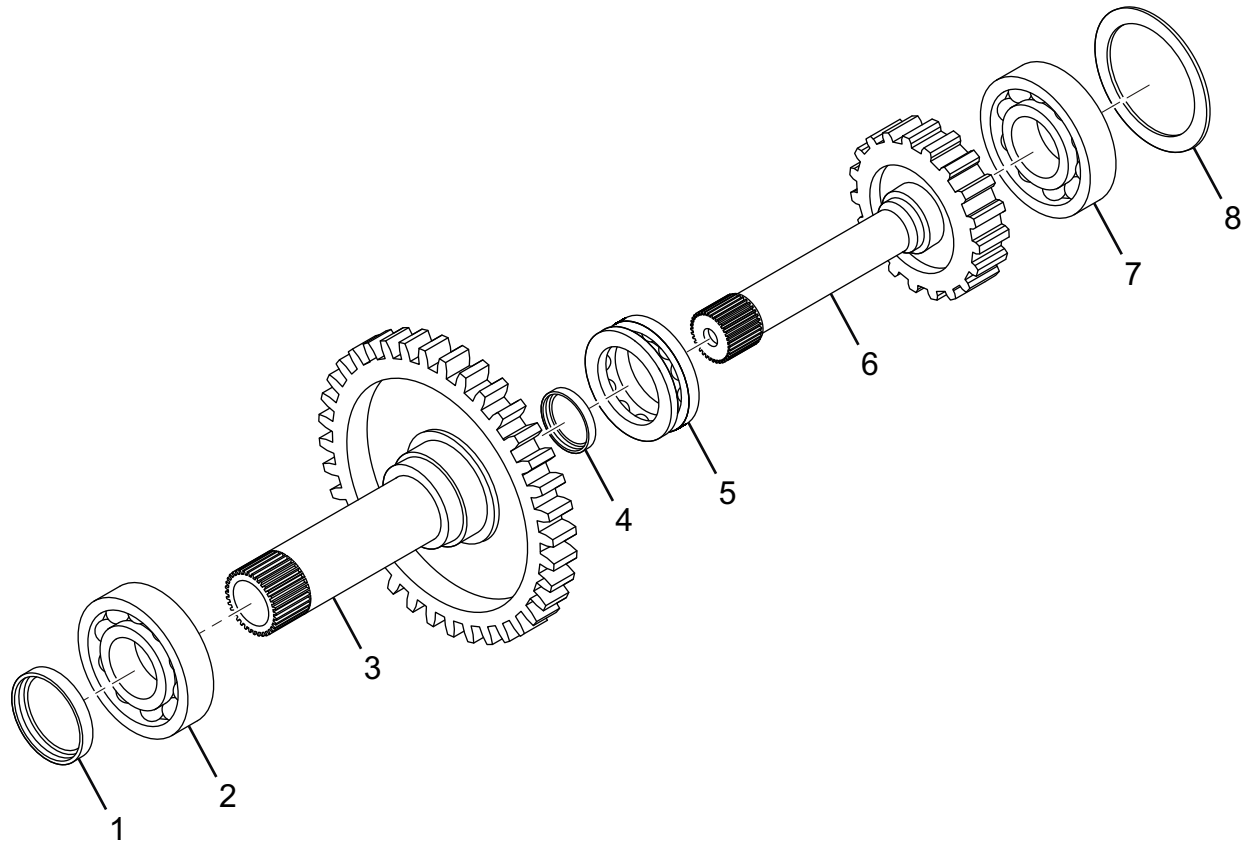
变速箱总成 II Transmission assembly II (LG50EX.03.02 II)



TRANSMISSION ASSEMBLY II

变速箱总成 II Transmission assembly II (LG50EX.03.02 II)						
Item	Parts number	Chinese Description	English Description	Specification	Qty	Remarks
1	403005A	箱体	Transmission body		1	
2	403055D	转向泵驱动轴	Steering pump drive shaft		1	
3	GB1096-79	键	Key	14 × 35	1	
4	403056	转向泵驱动齿轮	Steering pump drive gear		1	
5	GB/T276	球轴承	Ball bearing	6210N/C3	2	进口轴承
6	GB/T276	挡圈	Sprag	6210N	2	
7	GB276-89	球轴承	Ball bearing	6012/C3	1	进口轴承
8	403610D	轴齿轮	Shaft gear		1	
9	403021A	密封垫	Seal gasket		1	
10	GB119-86	销	Pin	Φ10 × 30	2	
11	403400	油底壳总成	Oil pan assembly		1	详见图 16
12	GB93-87	垫圈	Washer	10	14	
13	GB5783-86	螺栓	Bolt	M10 × 25	14	

一轴总成 Shaft I Assembly (LG853.03.01.01)

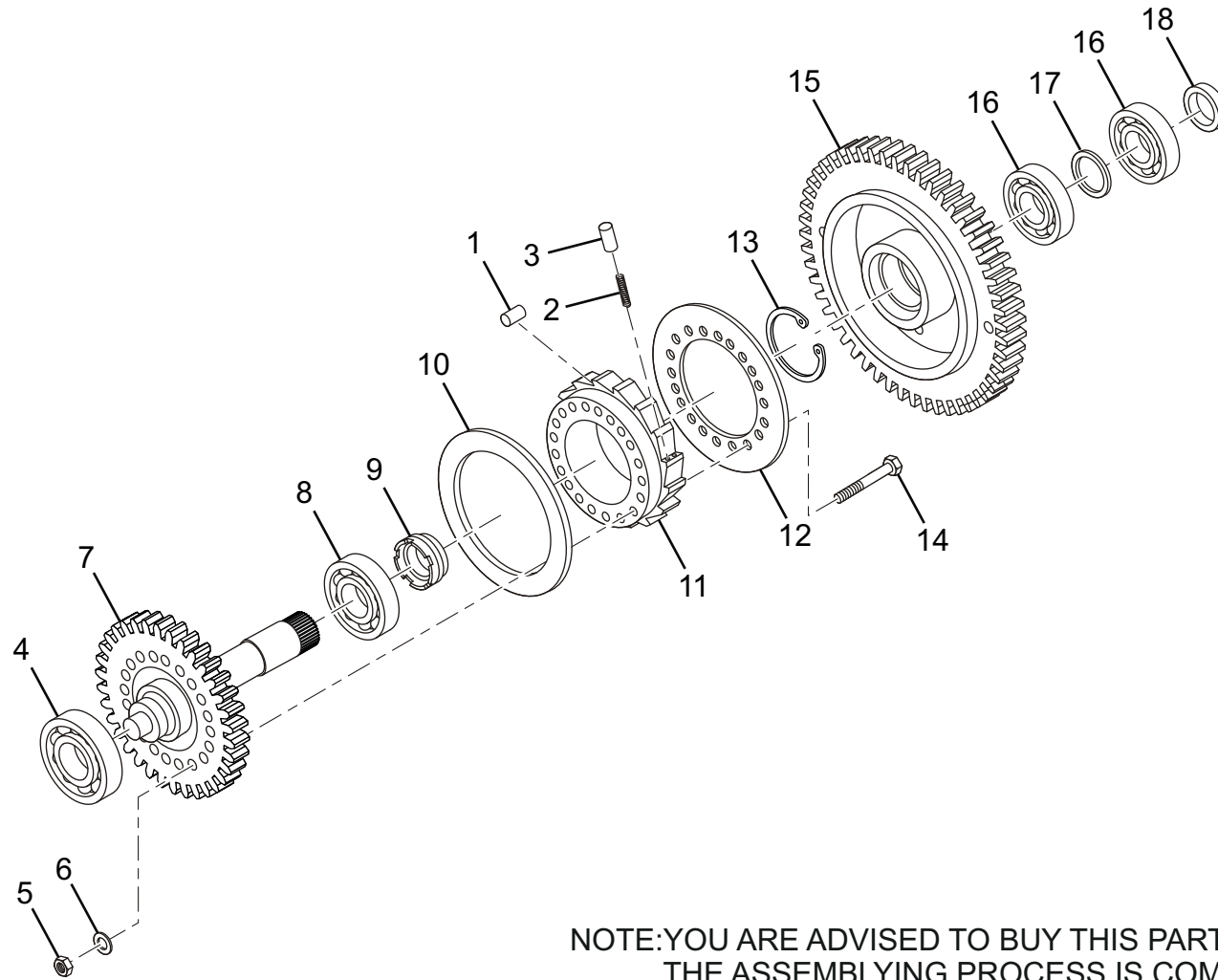


SHAFT I ASSEMBLY

一轴总成 Shaft I Assembly (LG853.03.01.01)

Item	Parts number	Chinese Description	English Description	Specification	Qty	Remarks
1	403101	旋转油封	Rotary seal	70 × 78 × 5	1	
2	GB276-89	球轴承	Ball bearing	6016	1	
3	403103	输入二级齿轮	Input second stage gear		1	
4	403102	旋转油封	Rotary seal	45 × 53 × 5	1	
5	GB301-84	推力球轴承	Thrust ball bearing	5111	1	
6	403104	输入一级齿轮	Input first stage gear		1	
7	GB276-89	球轴承	Ball bearing	6311	1	
8	403105	调整圈	Adjusting washer		1 组	

二轴总成 Shaft II Assembly (LG853.03.01.02.01)

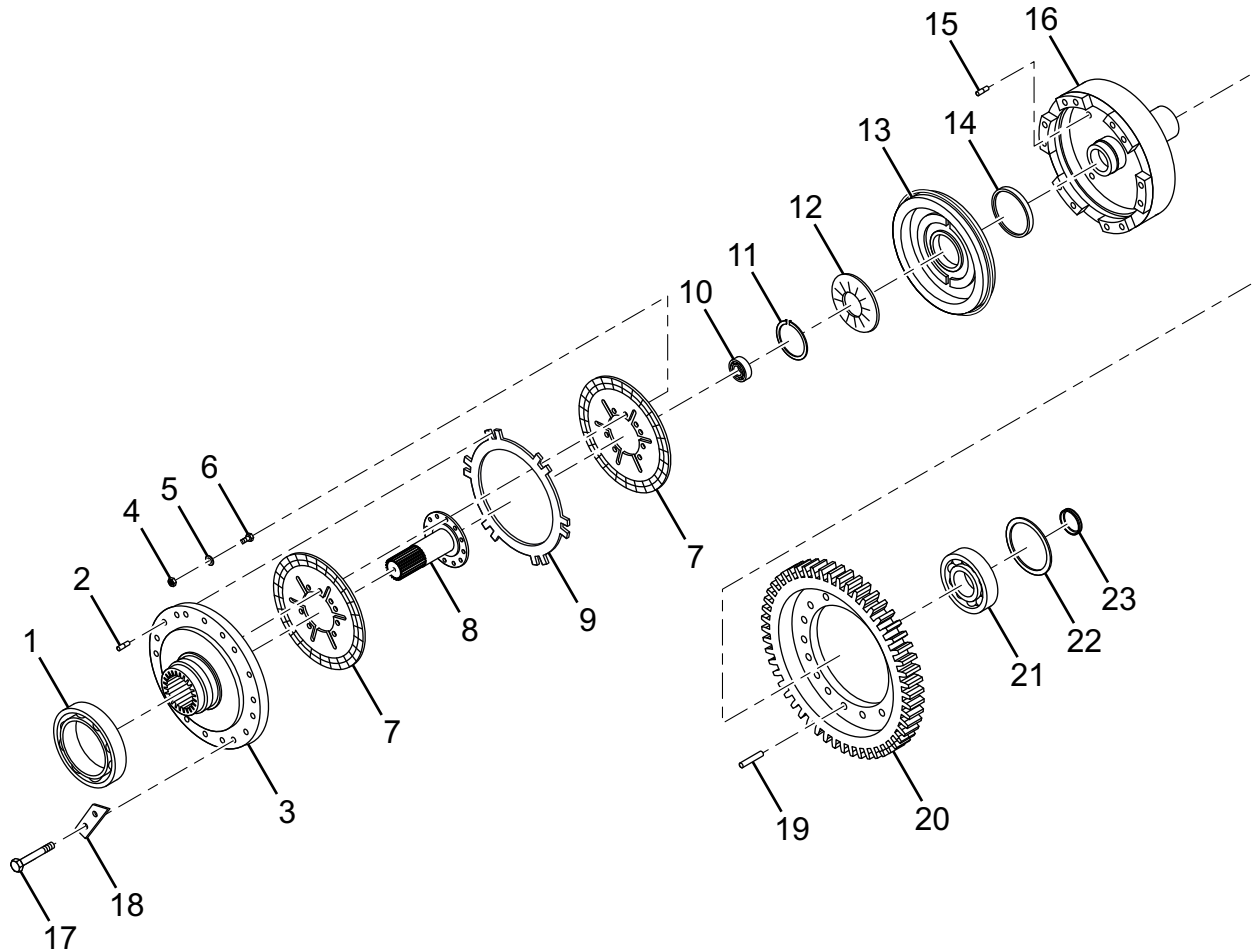


SHAFT II ASSEMBLY

NOTE: YOU ARE ADVISED TO BUY THIS PART AS A WHOLE FOR THE ASSEMBLING PROCESS IS COMPLICATED !

二轴总成 Shaft II Assembly (LG853.03.01.02.01)						
Item	Parts number	Chinese Description	English Description	Specification	Qty	Remarks
1	403207A	滚柱	Roller	Φ15 × 32	20	
2	403204A	弹簧	Spring		40	
3	403202A	弹簧座	Spring seat		40	
4	GB276-89	球轴承	Ball bearing	6	1	
5	GB6171-86	螺母	Nut	M10 × 1	20	
6	GB859-87	垫圈	Washer	10	20	
7	403203	中间输入轴	Intermediate input shaft		1	
8	GB276-89	球轴承	Ball bearing	6010	1	
9	403210	隔离套	Separating sleeve		1	
10	403205A	滚柱左挡圈	Roller left sprag		1	
11	403209	内环凸轮	Inner ring cam		1	
12	403206	滚柱右挡圈	Roller right sprag		1	
13	GB893.1-86	挡圈	Sprag	80	1	
14	403201	螺栓	Bolt		20	
15	403208A	外环齿轮	Outer ring gear		1	
16	GB276-89	球轴承	Ball bearing	6210	2	
17	403211	隔离环	Separating ring		1	
18	403212	调整圈	Adjusting washer		1	

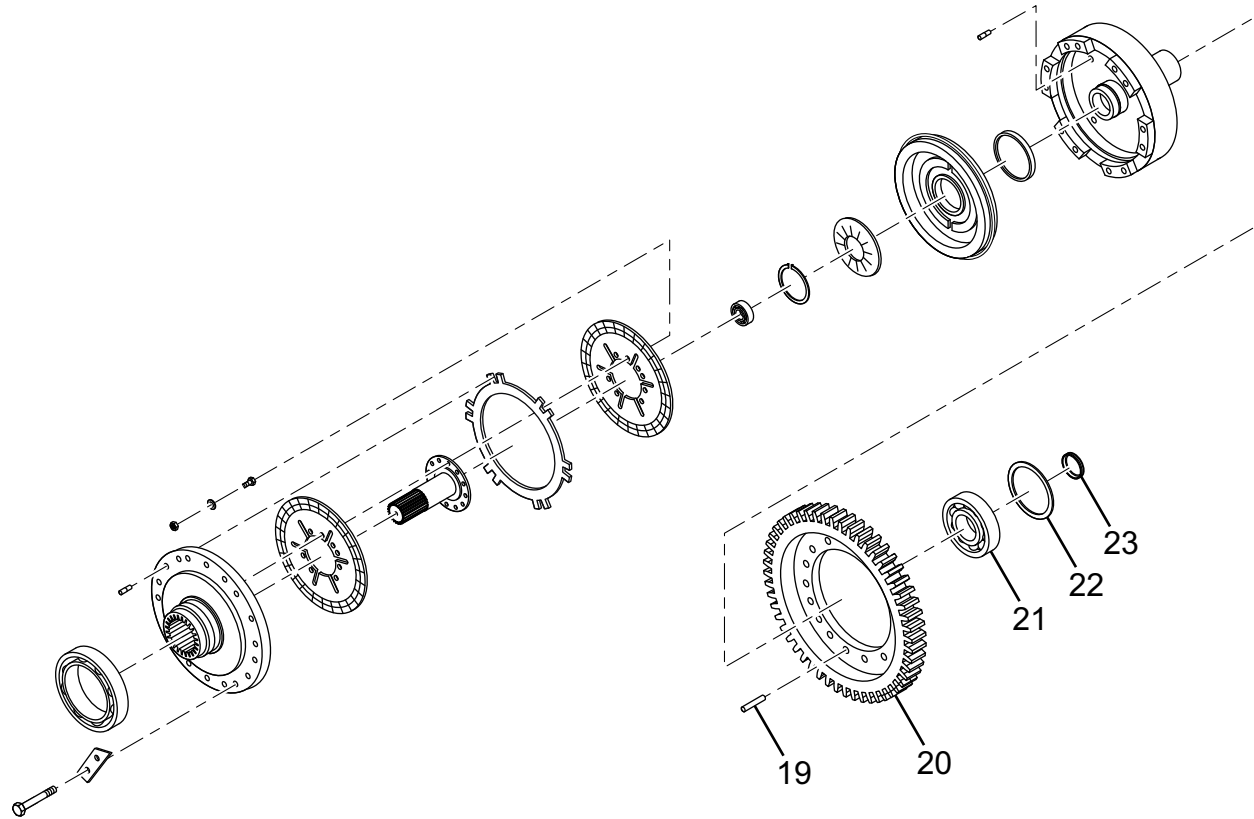
三轴总成 Shaft III Assembly (LG50EX.03.01.02)



SHAFT III ASSEMBLY

三轴总成 Shaft III Assembly (LG50EX.03.01.02)						
Item	Parts number	Chinese Description	English Description	Specification	Qty	Remarks
1	GB276-89	球轴承	Ball bearing	6022	1	
2	LG853.03.01.05-003	圆柱销	Pillar pin		6	403504
3	LG853.03.01.05-001	直接档受压盘	Direct gear press disc		1	403501
4	GB6170-86	螺母	Nut	M8	12	
5	GB93-87	垫圈	Washer	8	12	
6	GB5783-86	螺栓	Bolt	M8 × 20	12	
7	LG853.03.01.05.01	直接档主动片组件	Direct gear drive plate components		2	403505-506
8	LG853.03.01.05-002	直接档轴	Direct gear shaft		1	403502A
9	LG853.03.01.05-004	直接档从动片	Direct gear driven plate		1	403507
10	GB283-81	轴承	Bearing	42204	1	
11	GB894.1-86	轴用挡圈	Sprag for shaft	65	1	
12	LG853.03.01.05-007	盘形弹簧	Disc spring		1	403513
13	LG853.03.01.05.02	直接档活塞组件	Direct gear piston components		1	403508A-510A
14	LG853.03.01.01-001	旋转油封	Rotary seal	70 × 78 × 5	1	403101
15	LG853.03.01.05-010	销	Pin		3	403516
16	LG853.03.01.05-006	直接档油缸	Direct gear cylinder		1	403512
17	GB5785-86	螺栓	Bolt	M12 × 1.25 × 100	12	
18	LG853.03.01.05-009	双孔止动垫圈	Duo-hole stop washer		6	403518B

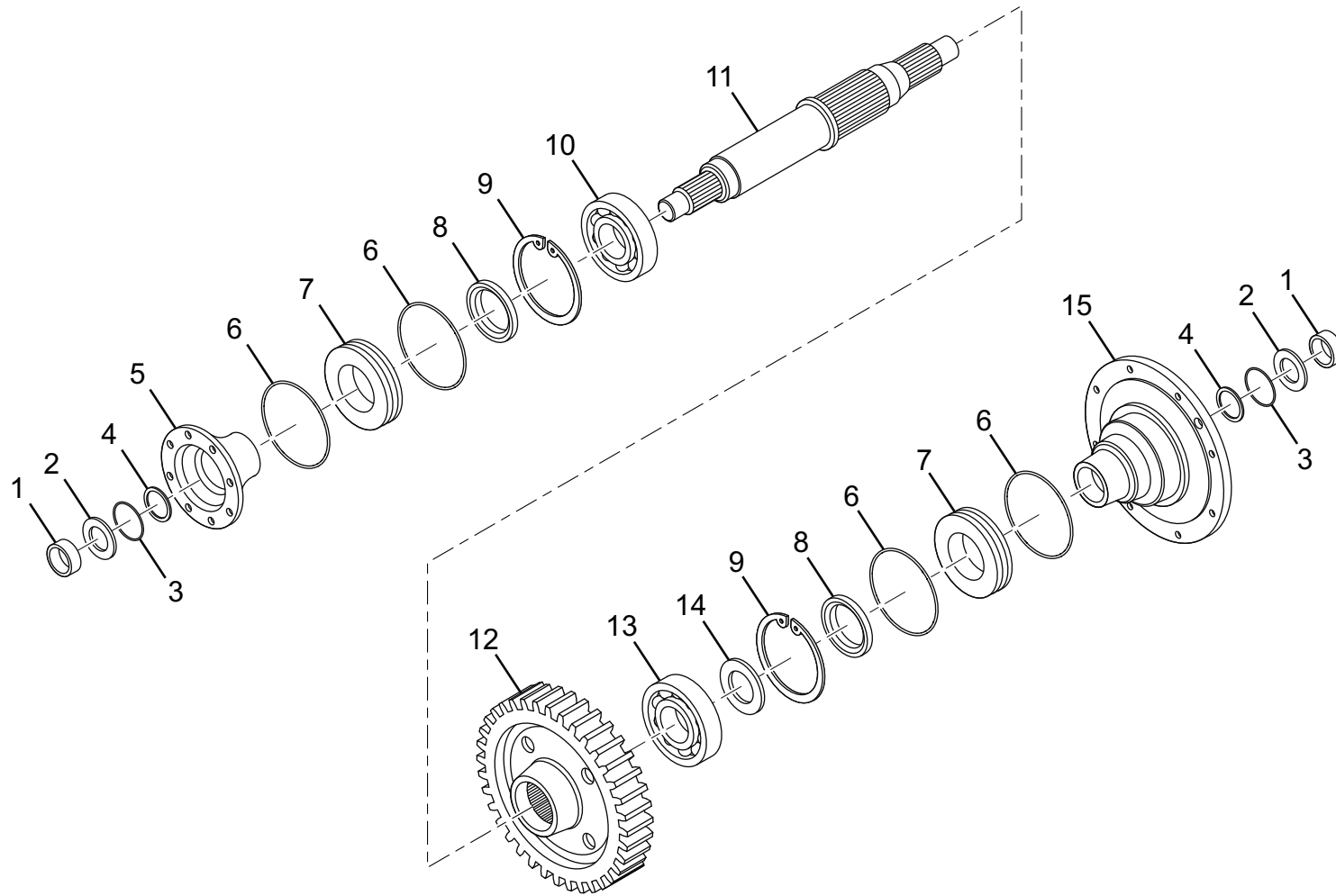
三轴总成 Shaft III Assembly (LG50EX.03.01.02)



SHAFT III ASSEMBLY

三轴总成 Shaft III Assembly (LG50EX.03.01.02)						
Item	Parts number	Chinese Description	English Description	Specification	Qty	Remarks
19	GB119-86	圆柱销	Pillar pin	Φ10jc4 × 30	2	
20	LG50EX.03.01.02-001	中间轴输出齿轮	Intermediate output gear		1	403511J
21	GB/T276-89	球轴承	Ball bearing	6411	1	
22	LG853.03.01.05-008	调整圈	Adjusting washer		1 组	403517
23	LG853.03.01.01-002	旋转油封	Rotary seal	45 × 53 × 5	1	403102

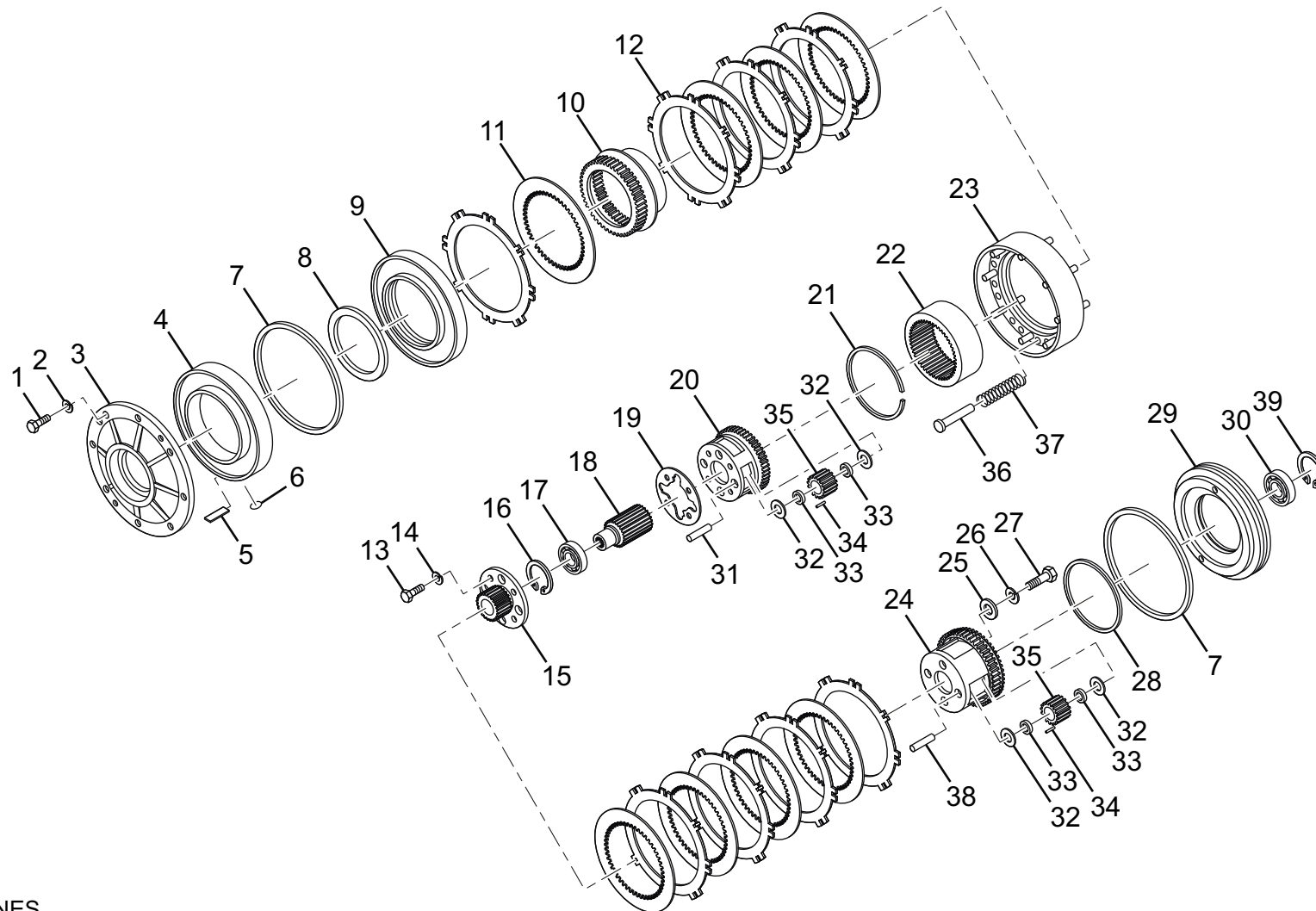
四轴总成 Shaft IV Assembly (LG50EX.03.01.01)



SHAFT IV ASSEMBLY

四轴总成 Shaft IV Assembly (LG50EX.03.01.01)						
Item	Parts number	Chinese Description	English Description	Specification	Qty	Remarks
1	GB890-80	尼龙锁紧螺母	Nylon self-lock nut	M33 × 1.5	2	
2	LG853.03.01.03-002	垫圈	Washer		2	403303
3	GB1235-76	O 型密封圈	O-ring	Φ40 × 5.7	2	
4	LG853.03.01.03-008	垫片	Gasket		2	403317
5	LG853.03.01.03-001	后法兰	Rear flange		1	403301D
6	GB1235-76	O 型密封圈	O-ring	Φ118 × 5.7	4	
7	LG853.03.01.03-003	油封座	Oil seal seat		2	403304B
8	HG4-692-67	骨架油封	Frame seal	SG70 × 95 × 12	3	
9	GB893.1-84	挡圈	Sprag	130	2	
10	GB276-82	球轴承	Ball bearing	6312	1	
11	LG853.03.01.03-005	输出轴	Output shaft		1	403314
12	LG50EX.03.01.01-001	输出轴齿轮	Output shaft gear		1	403311J
13	GB283-94	滚柱轴承	Roller bearing	NUP312E	1	
14	LG853.03.01.03-006	隔套	Separating sleeve		1	403305
15	LG855.03.01.01-001	前法兰	Front flange		1	403316B

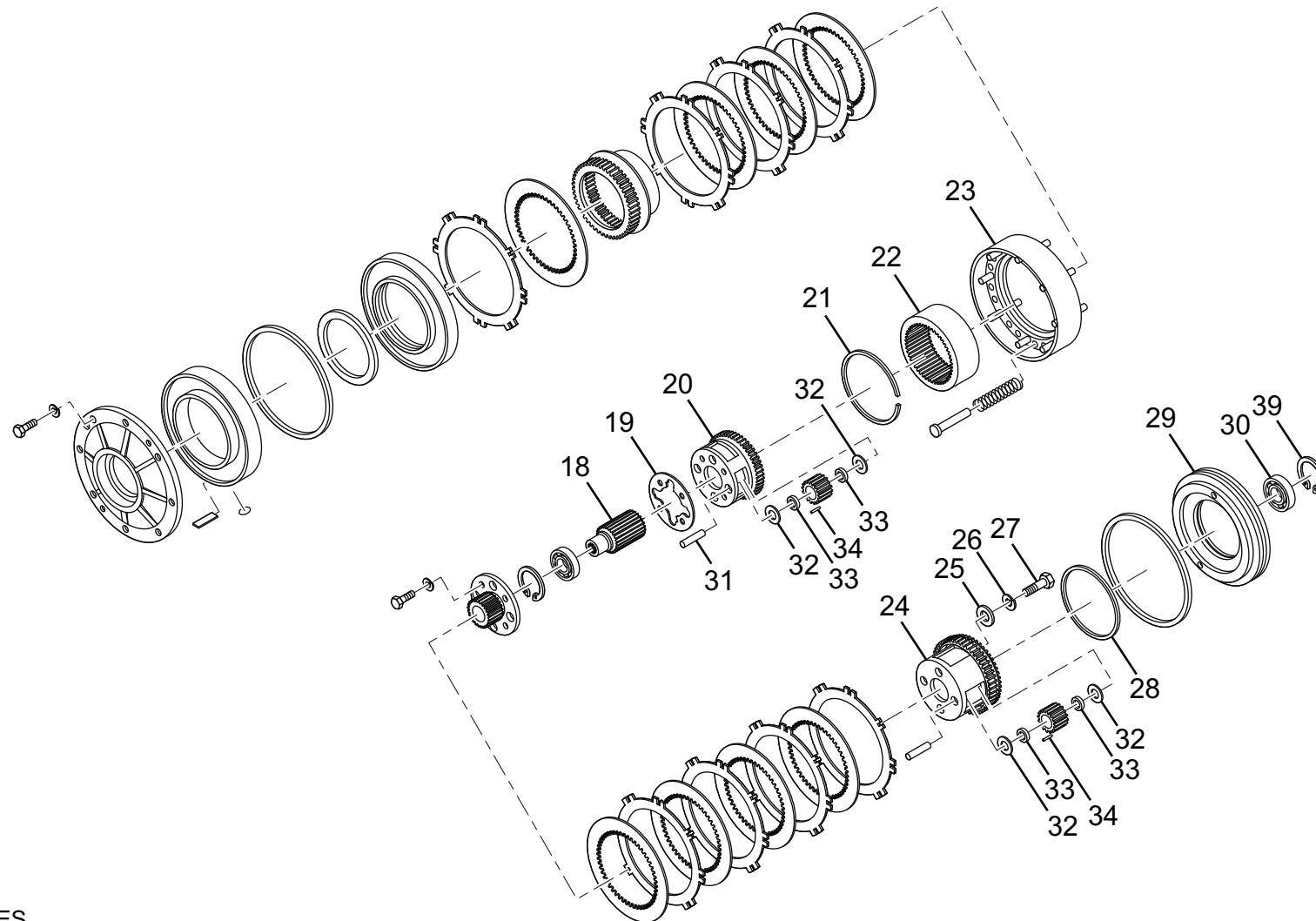
行星排 Planet lines



PLANET LINES

行星排 Planet lines						
Item	Parts number	Chinese Description	English Description	Specification	Qty	Remarks
1	GB5782-86	螺栓	Bolt	M14 × 38	8	
2	GB93-76	垫圈	Washer	14	8	
3	403003A	中盖	Middle cover		1	
4	403004A	一档油缸体	Gear I cylinder body		1	
5	403023	固定板	Securing plate		1	
6	GB1235-76	O 型圈	O-ring	Φ20 × 2.4	1	
7	403006A	外密封环	Outer seal ring		2	
8	403010A	内密封环	Inner seal ring		1	
9	403008A	一档活塞体	Gear I piston body		1	
10	403222A	一档内齿圈	Gear I inner ring gear		1	
11	403012-13	倒档一档主动片组件	Reverse gear I drive plate components		8	
12	403011	倒一档一档从动片	Reverse gear I driven plate		8	
13	GB5783-86	螺栓	Bolt	M10 × 30	4	
14	GB93-86	垫圈	Washer	10	4	
15	403225	直接档连接盘	Direct gear connecting disc		1	
16	GB894.1-86	轴用挡圈	Sprag for shaft	90	1	6210N 自带
17	GB/T276	球轴承	Ball bearing	6120N	1	

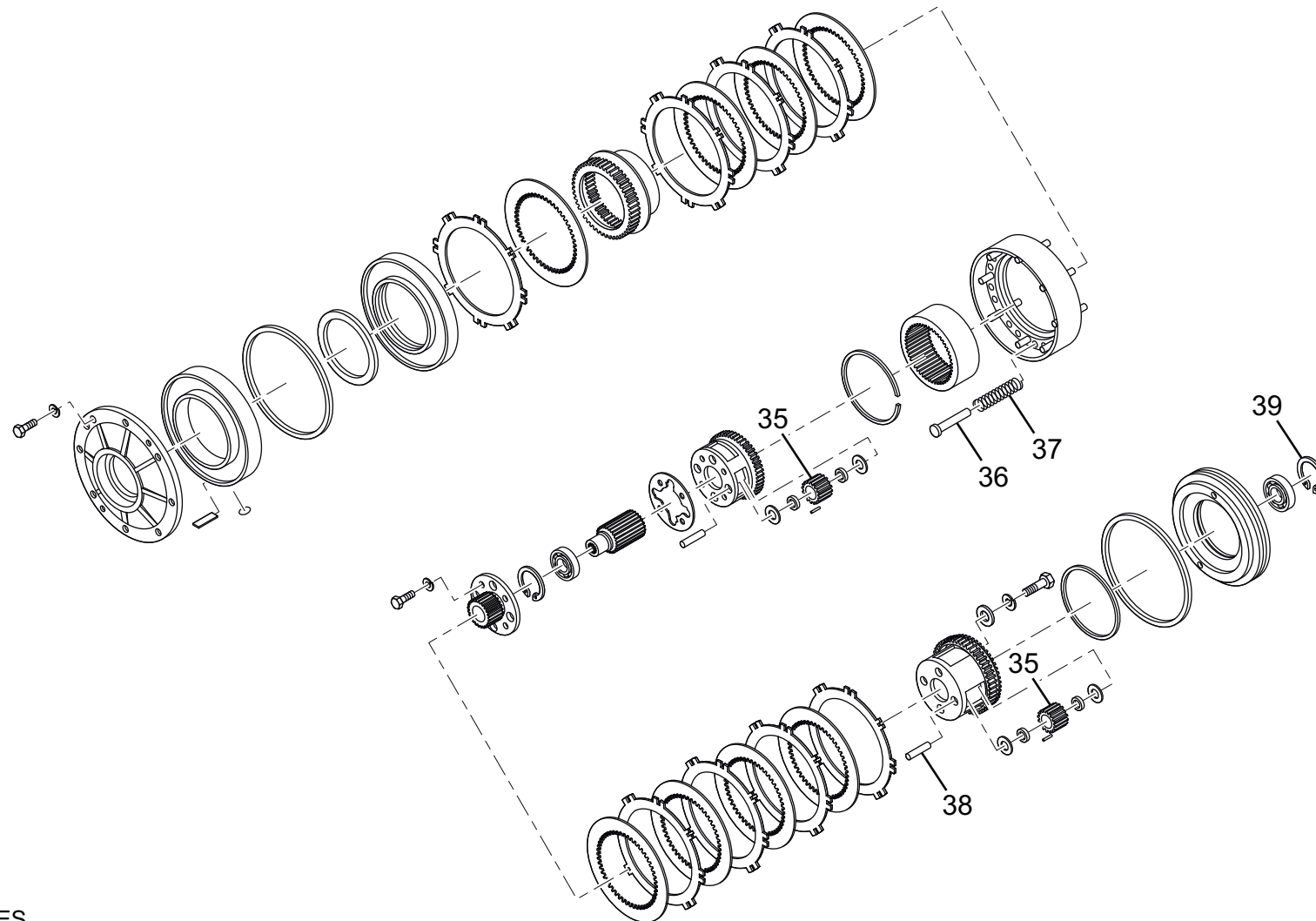
行星排 Planet lines



PLANET LINES

行星排 Planet lines						
Item	Parts number	Chinese Description	English Description	Specification	Qty	Remarks
18	403226	太阳轮	Sun gear		1	
19	403224	止动片	Stop plate		1	
20	403223	一档行星架	Gear I planet carrier		1	
21	403220	卡圈	Snap ring		1	
22	403216	倒档内齿圈	Reverse gear inner ring gear		1	
23	4031014-15	摩擦片隔架组件	Friction plate separating bracket components		1	
24	403213A	倒档行星架	Reverser gear planet carrier		1	
25	403215	止动垫圈	Stop washer		4	
26	GB93-87	垫圈	Washer	8	4	
27	GB5783-86	螺栓	Bolt	M8 × 14	4	
28	403020A	内密封环	Inner seal ring		1	
29	403018A	倒档活塞体	Reverse gear piston body		1	
30	GB276-89A	球轴承	Ball bearing	6010	1	
31	403227	一档行星轴	Gear I planet shaft		4	
32	403217	垫片	Gasket		16	
33	403219	隔离套	Separating sleeve		16	
34	GB309-84	滚针	Needle	Φ4 × 35	176	

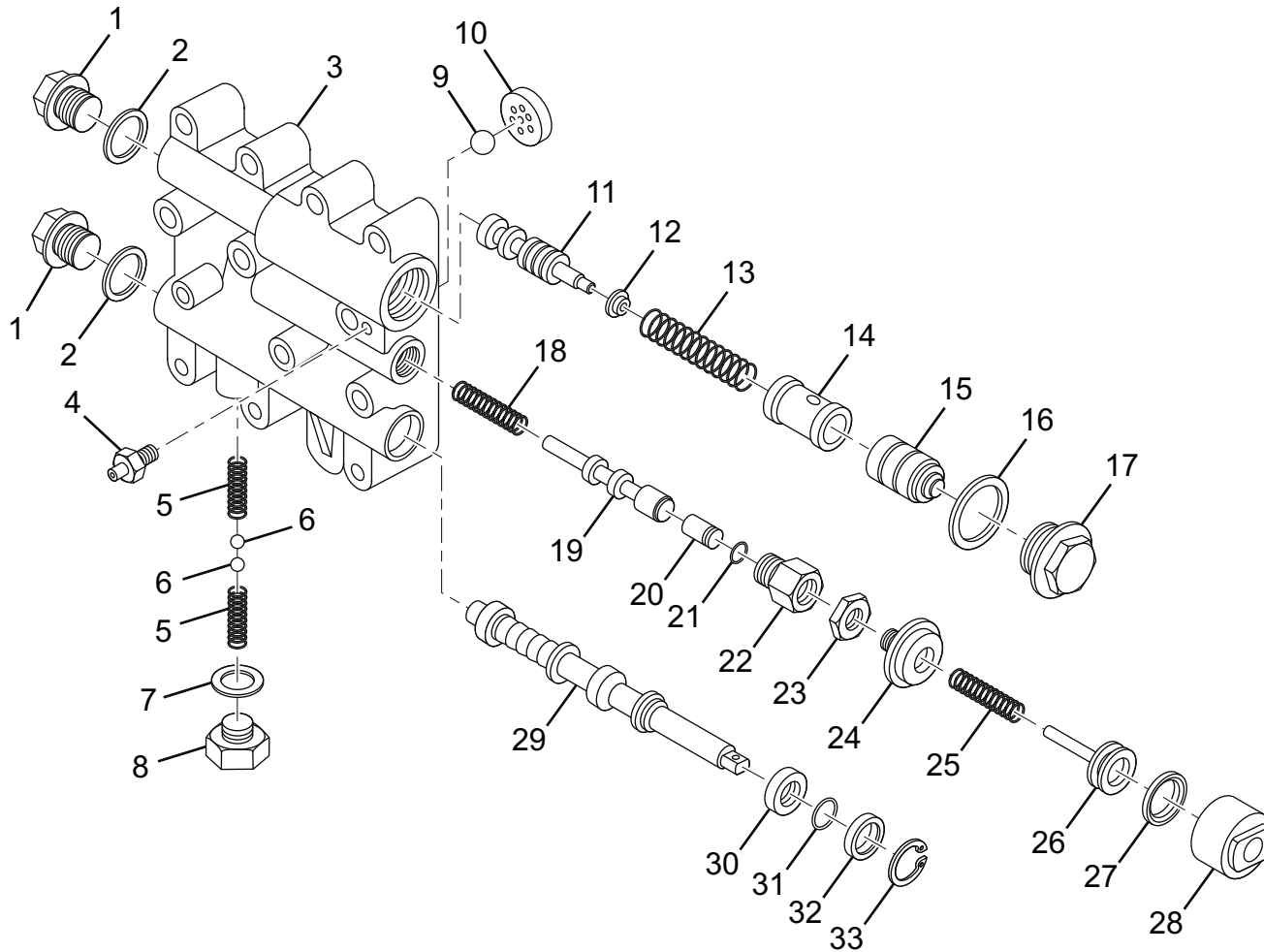
行星排 Planet lines



PLANET LINES

行星排 Planet lines						
Item	Parts number	Chinese Description	English Description	Specification	Qty	Remarks
35	403218	行星轮	Planet gear		8	
36	403016	弹簧销轴	Spring pin		15	
37	403017	弹簧	Spring		15	
38	403221	倒档行星轮轴	Reverse gear planet shaft		4	
39	GB893.1-86	孔用挡圈	Hole sprag	90	1	

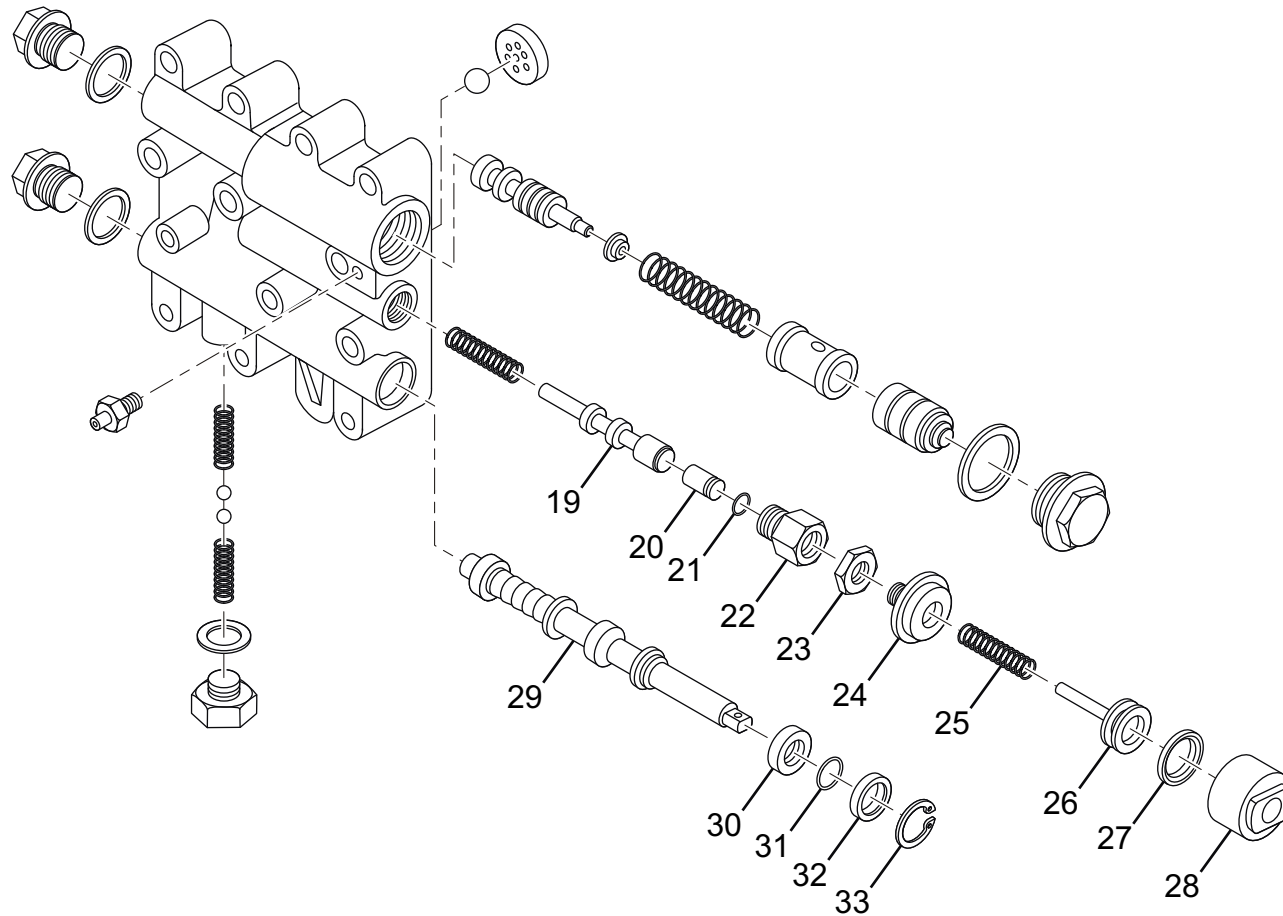
变速操纵阀 Speed control valve (LG853.03.01.13)



SPEED CONTROL VALVE

变速操纵阀 Speed control valve (LG853.03.01.13)						
Item	Parts number	Chinese Description	English Description	Specification	Qty	Remarks
1	403702	螺栓	Bolt		2	
2	402106	垫圈	Washer		2	
3	403701A	阀体	Valve body		1	
4	403727D	压力表接头	Pressure gauge connector		1	
5	403707	弹簧	Spring		2	
6	GB308-84	钢球	Steel ball	12.7"	2	
7	402001	垫片	Gasket		1	
8	403710	螺栓	Bolt		1	
9		塑料球	Plastic ball	3/16"	1	
10	403726	圆板	Round plate		1	
11	403704	减压阀杆	Valve stem		1	
12	403725	弹簧座	Spring seat		1	
13	403724	弹簧	Spring		1	
14	403723	固定套	Securing sleeve		1	
15	403722	滑块	Sliding block		1	
16	403721	垫圈	Washer		1	
17	403720	螺栓	Bolt		1	
18	403706	弹簧	Spring		1	

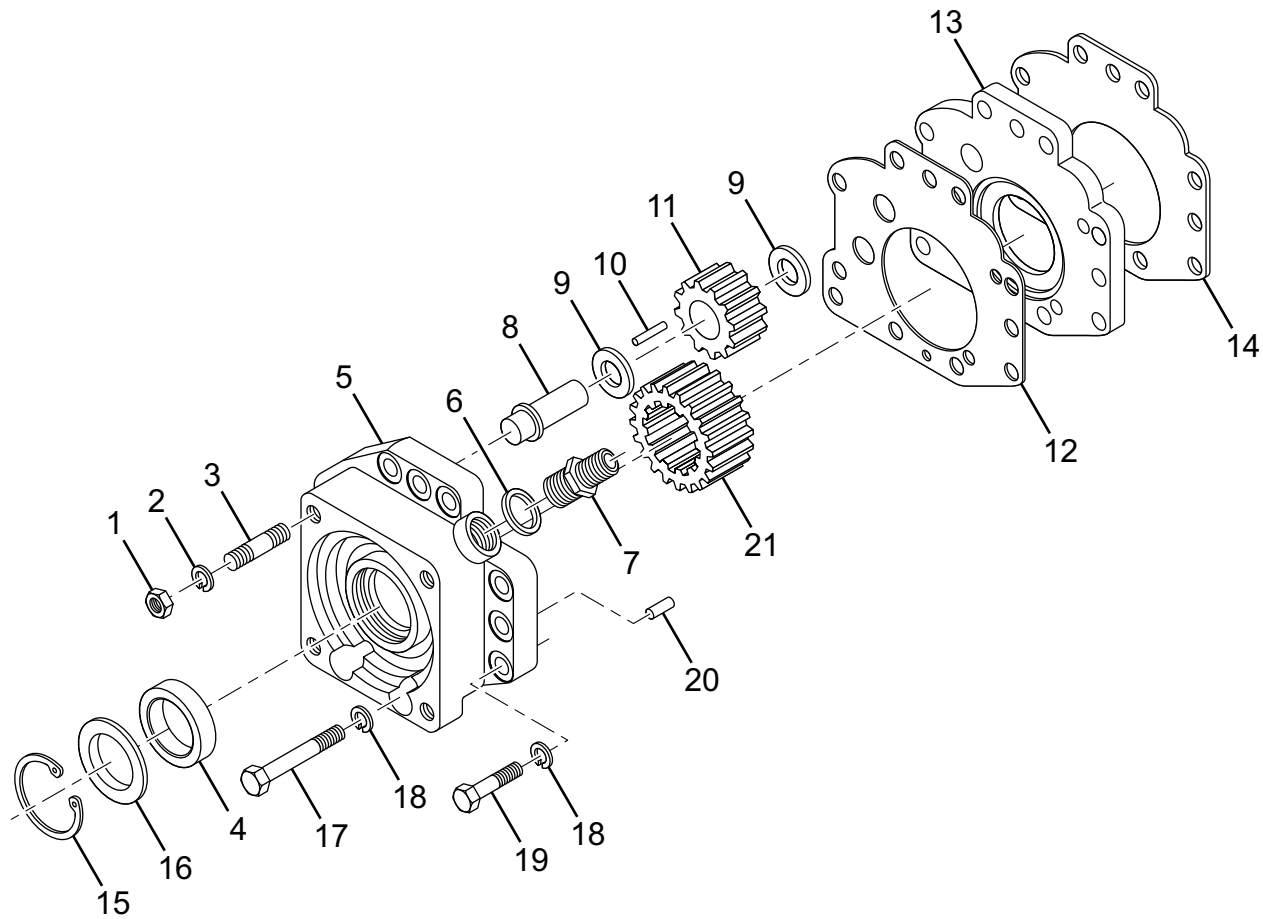
变速操纵阀 Speed control valve (LG853.03.01.13)



SPEED CONTROL VALVE

变速操纵阀 Speed control valve (LG853.03.01.13)						
Item	Parts number	Chinese Description	English Description	Specification	Qty	Remarks
19	403705	刹车阀杆	Brake valve stem		1	
20	403718	圆柱塞	Pillar plug		1	
21	GB1235-76	O 型圈	O-ring	Φ13 × 1.9	1	
22	403719	螺栓	Bolt		1	
23	403717	螺母	Nut		1	
24	403712	气阀座	Vent valve seat		1	
25	403714	弹簧	Spring		1	
26	403713	气阀杆	Vent valve stem		1	
27	403715	Y 型密封圈	Y-type seal	32 × 40	1	
28	403716	气阀台	Vent valve platform		1	
29	403708	分配阀杆	Distribution valve stem		1	
30	403711	挡套	Bush		1	
31	GB1235-76	O 型圈	O-ring	Φ22 × 2.4	1	
32	HG4-692-67	油封	Oil seal	PD18 × 30 × 10	1	
33	GB893.1-86	挡圈	Sprag	30	1	

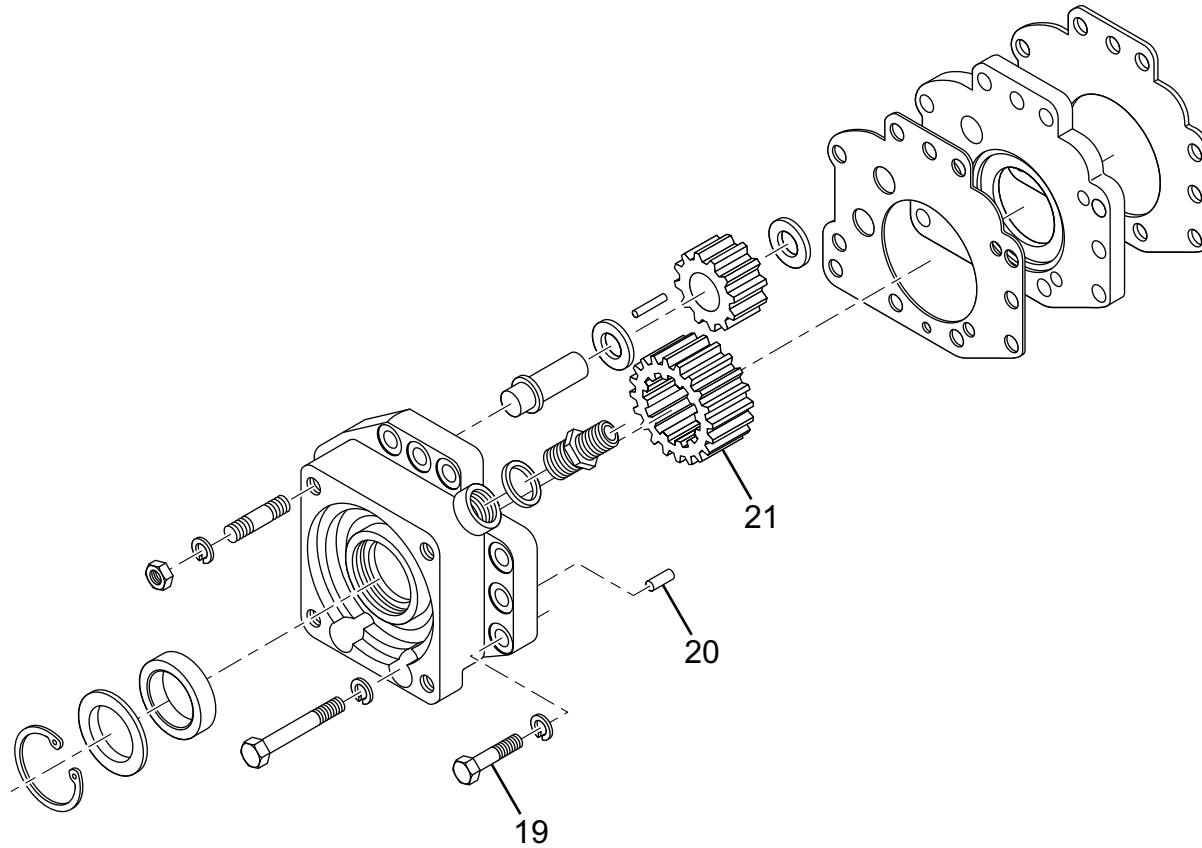
变速齿轮泵 Transmission pump (LG853.03.01.10)



TRANSMISSION PUMP

变速齿轮泵 Transmission pump (LG853.03.01.10)						
Item	Parts number	Chinese Description	English Description	Specification	Qty	Remarks
1	GB6170-86	螺母	Nut	M12	4	
2	GB93-87	垫圈	Gasket	12	4	
3	GB898-86	双头螺栓	Stud	AM12 × 35	4	
4	HG4-692-67	骨架油封	Frame seal	PG45 × 62 × 12	1	
5	403601 403601A	泵体	Pump body		1	
6	402106	垫圈	Washer		1	
7	402111	管接头	Pipe connector		1	
8	403603 403603A	轴	Shaft		1	
9	403219	隔离套	Separating sleeve		2	
10	GB309-84	滚针	Needle	Φ4 × 30	18	
11	403602 403602A	小齿轮	Small gear		1	
12	403606	密封垫	Seal gasket		1	
13	403608 403608A	泵盖	Pump cover		1	
14	403609	密封垫	Seal gasket		1	
15	GB893.1-86	挡圈	Sprag		1	
16	403604	挡环	Snap ring		1	
17	GB5782-86	螺栓	Bolt	M10 × 75	2	
18	GB93-87	垫圈	Washer	10	8	

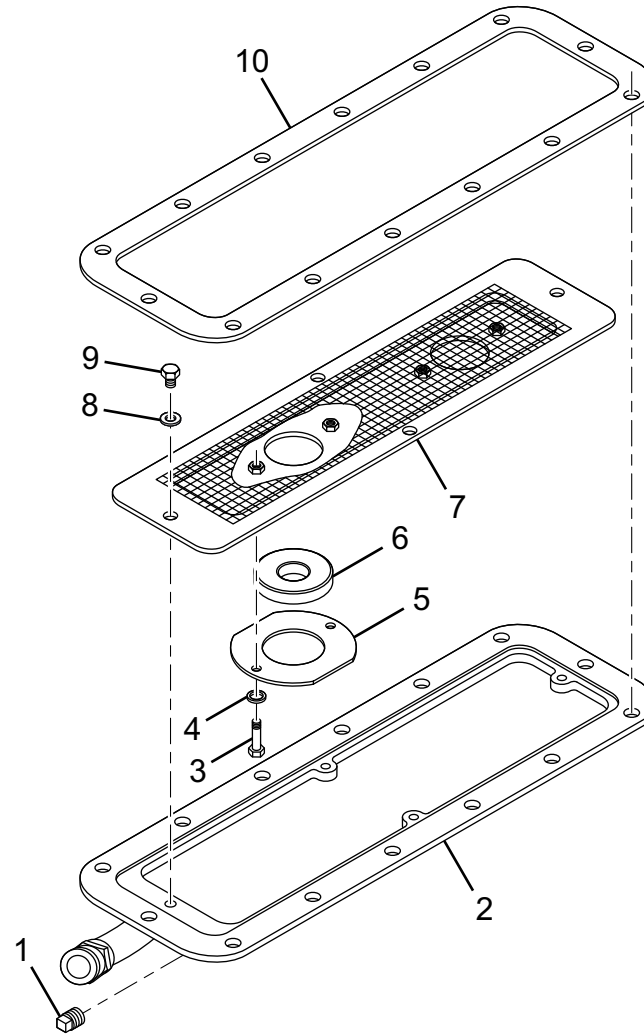
变速齿轮泵 Transmission pump (LG853.03.01.10)



TRANSMISSION PUMP

变速齿轮泵 Transmission pump (LG853.03.01.10)						
Item	Parts number	Chinese Description	English Description	Specification	Qty	Remarks
19	GB5762-86	螺栓	Bolt	M10 × 50	6	
20	GB5782-86	销	Pin	A10 × 30	2	
21	403605 403605A	大齿轮	Big gear		1	

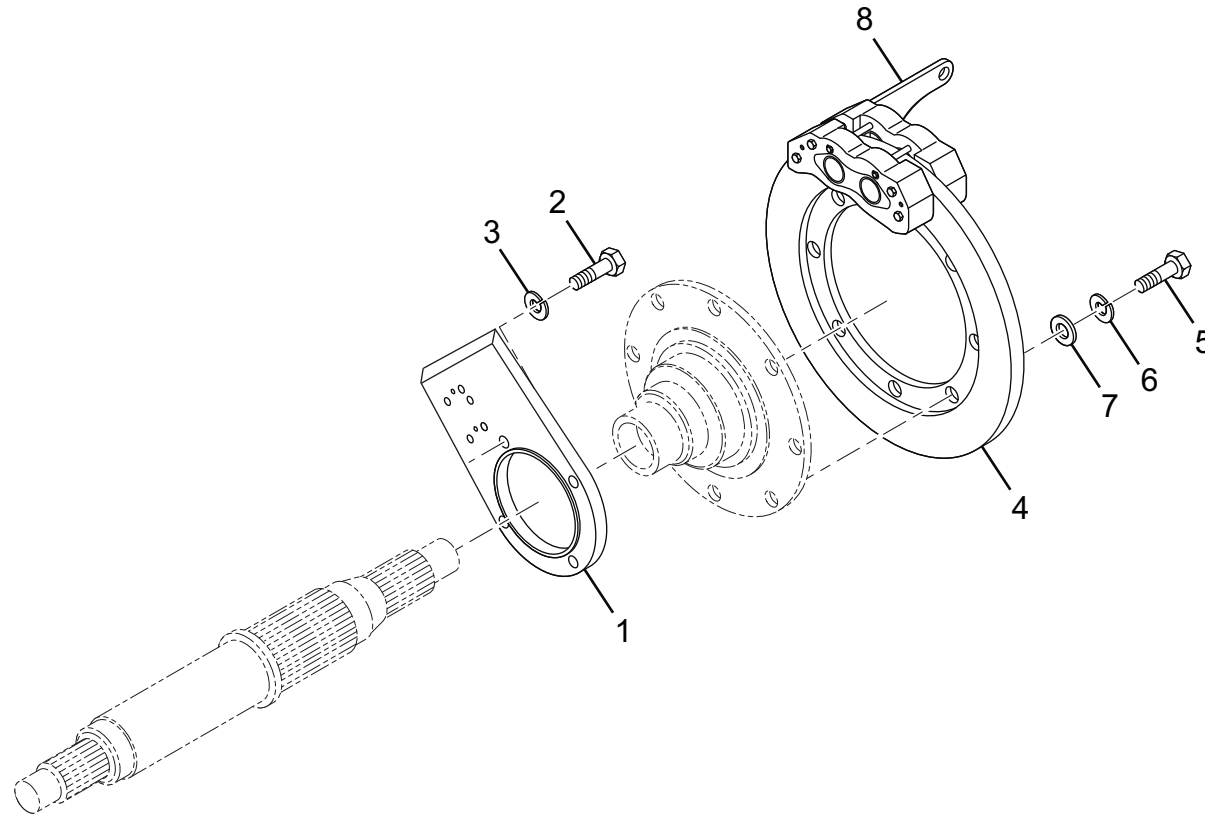
油底壳总成 Oil Pan Assembly (LG853.03.01.04)



OIL PAN ASSEMBLY

油底壳总成 Oil Pan Assembly (LG853.03.01.04)						
Item	Parts number	Chinese Description	English Description	Specification	Qty	Remarks
1	402223	螺塞	Plug screw	Z3/4"	1	
2	403401-407	油底壳体组件	Oil pan shell components		1	
3	GB5782-86	螺栓	Bolt	M16 × 25	4	
4	GB93-87	垫圈	Washer	6	4	
5	403405B	垫板	Plate		2	
6		永久磁铁	Magnet	Φ80/40 × 13	2	
7	403403A-404A	滤网支架组件	Filter screen bracket components		1	
8	GB859-87	垫圈	Washer	8	2	
9	GB5783-86	螺栓	Bolt	M8 × 15	2	
10	403406	垫密片	Gasket		1	

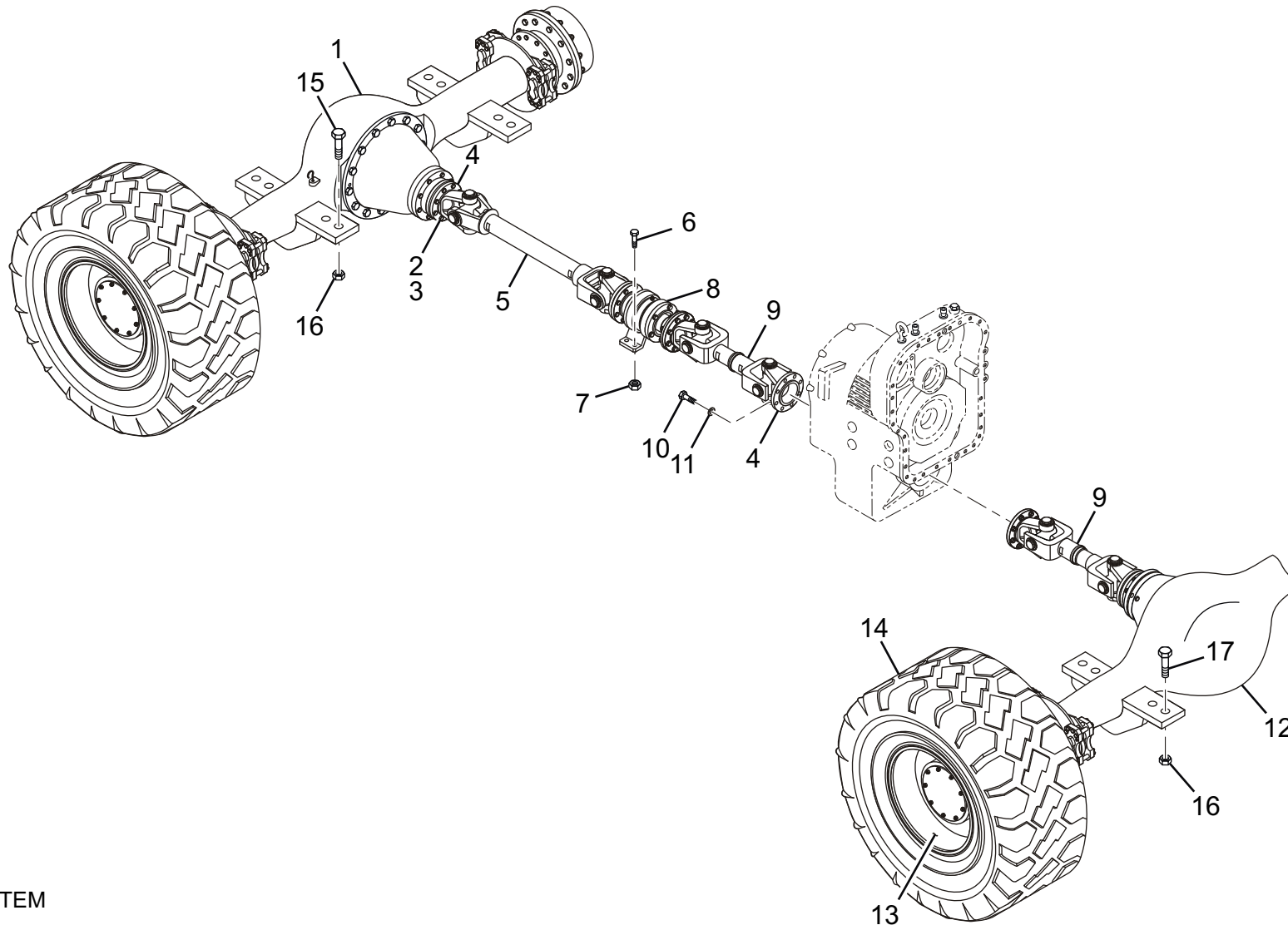
手制动钳 Parking brake



PARKING BRAKE

手制动钳 Parking brake						
Item	Parts number	Chinese Description	English Description	Specification	Qty	Remarks
1	LG853.03.01-020	制动钳固定板	Brake caliper securing plate		1	403000-1
2	GB/T5782	螺栓	Bolt	M14 × 40	4	
3	GB/T93	垫圈	Washer	14	4	
4	LG853.03.01-022	制动盘	Brake disc		1	LG50F.09004A
5	GB/T5786	螺栓	Bolt	M16 × 1.5 × 45	8	
6	GB/T93	垫圈	Washer	16	8	
7	GB/T97.1	垫圈	Washer	16	8	
8	LG853.03.01.15	钳式制动器	Disc brake		1	TC5Z(A)

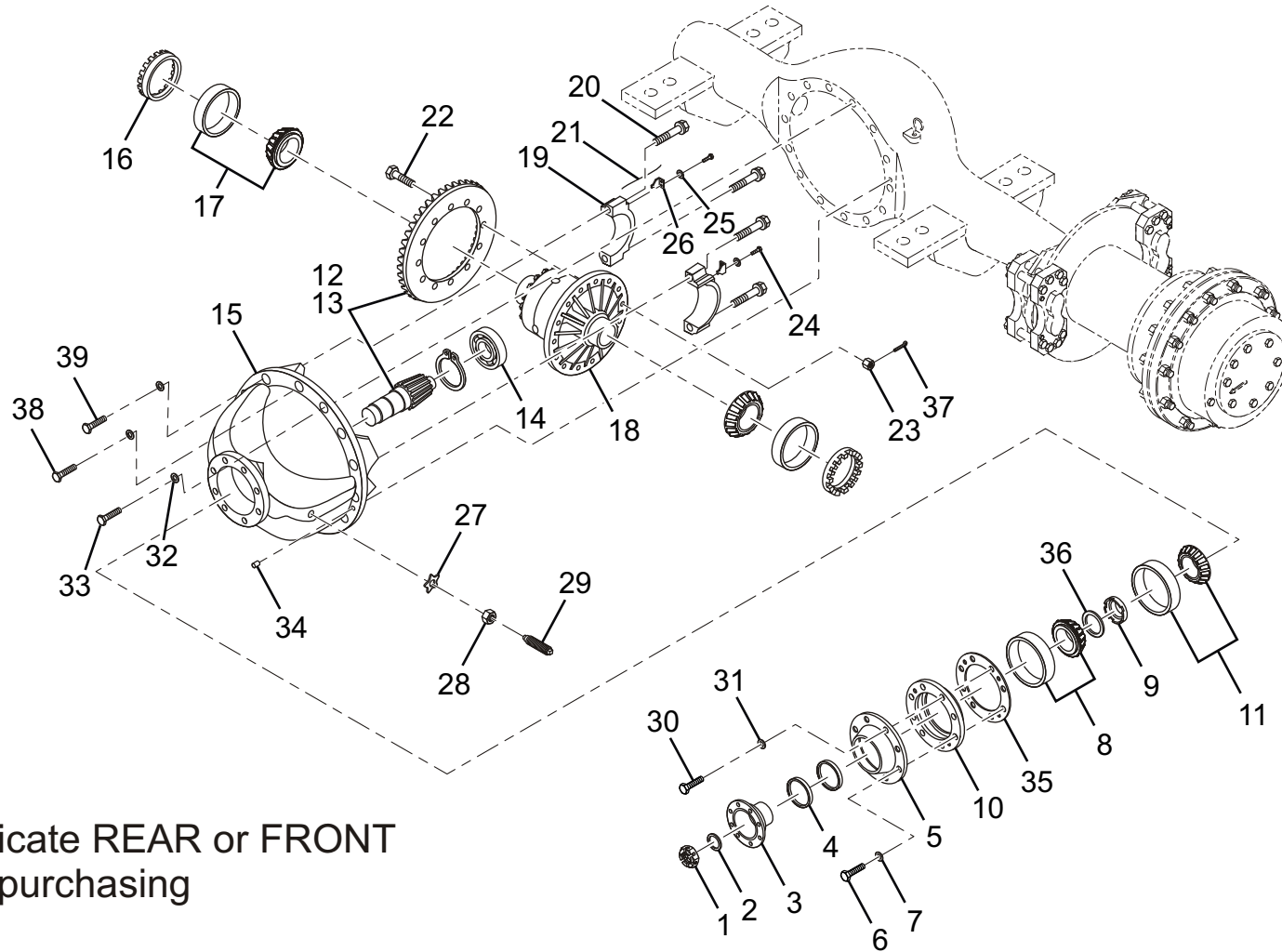
驱动桥系统 Axle system



AXLE SYSTEM

驱动桥系统 Axle system						
Item	Parts number	Chinese Description	English Description	Specification	Qty	Remarks
1	LG50EX.04.01	前驱动桥总成	Front axle assembly		1	LGPQ850FAL
2	GB/T5786-2000	螺栓	Bolt	M12 × 1.5 × 40	40	10.9
3	GB/T889.2-2000	螺母	Nut	M12 × 1.5	40	8
4	LG853.04-001	定位圈	Locating ring		2	借用
5	CDM856E.04 I .01	前传动轴总成	Front drive shaft assembly		1	外购
6	GB/T5783	螺栓	Bolt	M16 × 65	4	8.8
7	GB/T889.1	螺母	Nut	M16	4	10
8	CDM856E.04 I .02	中间支承	Intermediate support		1	组合件
9	CDM856E.04 I .03	中 / 后传动轴总成	Intermediate/rear drive shaft assembly		2	借用 / 原为 LG50F.04203A
10	GB/T5786-2000	螺栓	Bolt	M12 × 1.5 × 30	8	10.9
11	GB/T93-1987	垫圈	Washer	12	8	65Mn
12	LG50EX.04.05	后驱动桥总成	Rear axle assembly		1	LGPQ850FNL
13	LG853.04 I .05	轮辋总成	Rim assembly		4	504500D-I 带气门嘴防护板
14	GB/T2980-2001	轮胎	Tyre	23.5-25 E-3	4	外购
15	LG853.04-002	前桥螺栓	Front axle bolt		8	借用 / 原为 504003C
16	GB/T889.2-2000	螺母	Nut	M30 × 2	16	8
17	LG853.04-003	后桥螺栓	Rear axle bolt		8	借用 / 原为 404003D

主减速器总成 Main reductor assembly (LG50F.04300A 前桥 ;LG50F.04600A 后桥)

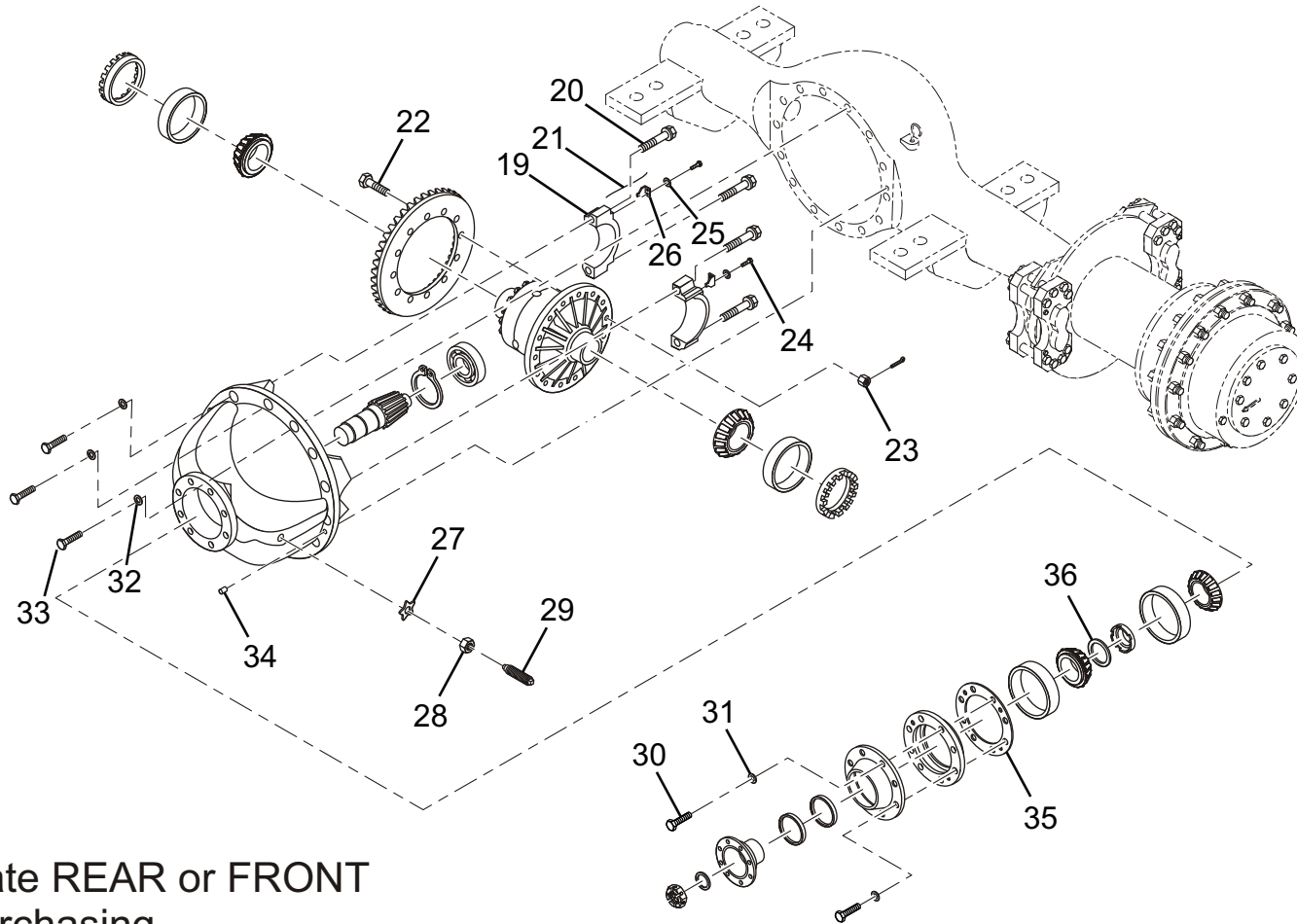


Please Indicate REAR or FRONT
Axle upon purchasing

STANDARD 50F AXLE I

主减速器总成 Main reductor assembly (LG50F.04300A 前桥 ;LG50F.04600A 后桥)						
Item	Parts number	Chinese Description	English Description	Specification	Qty	Remarks
1	LG50F.04301A	锁紧螺母	Locknut		1	
2	LG50F.04302A	垫圈	Washer		1	
3	LG50F.04303A-304A	输入法兰总成	Input flange assembly		1	
4	GB/T9877.1-1988	油封	Oil seal	FB80 × 100 × 10	2	
5	LG50F.04305A	密封盖	Seal cover		1	
6	GB5785-86	螺栓	Bolt	M14 × 1.5 × 55-10.9	7	
7	GB93-87	垫圈	Washer	14	7	
8	GB/T297-94	轴承	Bearing	31313/P6X	1	65 × 140 × 36
9	LG50F.04307A	轴承隔套	Bearing sleeve		1	
10	LG50F.04308A	轴承座	Bearing seat		1	
11	GB/297-84	轴承	Bearing	31314/P6X	1	70 × 150 × 38
12	LG50F.04309A-310A	螺旋伞齿轮副 (前桥用)	Spiral bevel gear pair for front axle		1	
13	LG50F.04311A-312A	螺旋伞齿轮副 (后桥用)	Spiral bevel gear pair for rear axle			数量含在前桥付内
14	NJ2309VMR	轴承	Bearing	NJ2307 × 9	1	非标件
15	LG50F.04313A	托架	Bracket		1	
16	LG50F.04314A	调整螺母	Adjusting nut		2	
17	47620/47686	轴承	Bearing	47620A/47686	2	82.55 × 133.35 × 33.338
18	LG50F.04315A-323A	差速器总成	Differential assembly		1	

主减速器总成 Main reductor assembly (LG50F.04300A 前桥 ;LG50F.04600A 后桥)

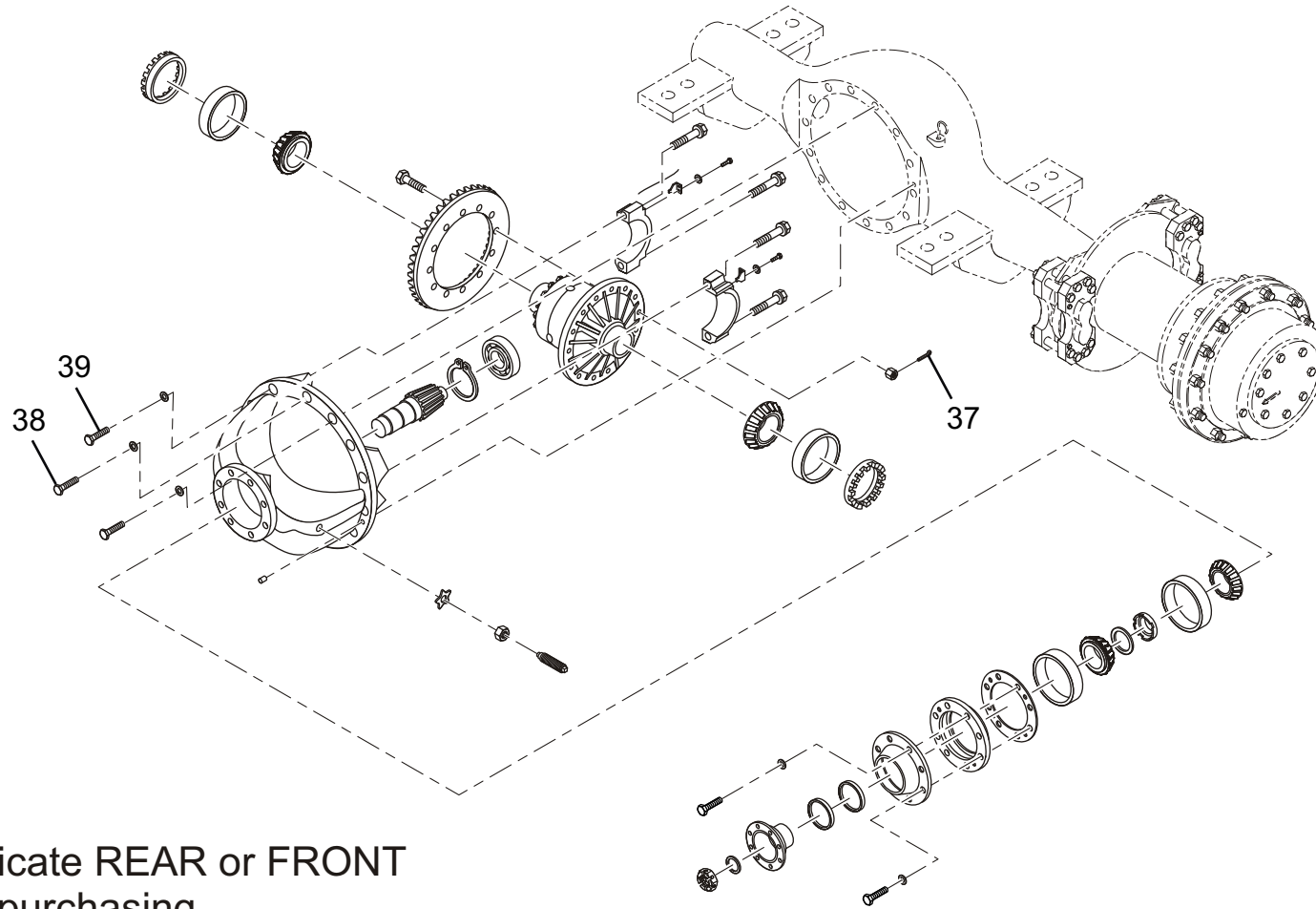


Please Indicate REAR or FRONT
Axle upon purchasing

STANDARD 50F AXLE I

主减速器总成 Main reductor assembly (LG50F.04300A 前桥 ;LG50F.04600A 后桥用)						
Item	Parts number	Chinese Description	English Description	Specification	Qty	Remarks
19	LG50F.04324A	轴承盖	Bearing cover		2	
20	LG50F.04325A	螺栓	Bolt		4	
21	LG50F.04326A	铁丝	Steel wire	16# × 500	2	
22	LG50F.04333A	大螺旋伞齿轮螺栓	Spiral bevel gear bolt		12	
23	GB6178-86	开槽螺母	Groove nut	M14 × 1.5-10	12	
24	GB5783-86	螺栓	Bolt	M10 × 1 × 20-8.8	2	
25	GB93-87	垫圈	Washer	10	2	
26	LG50F.04327A	锁紧片	Lock plate		2	
27	LG50F.04328A	止动垫圈	Stop washer		1	
28	GB6173-86	螺母	Nut	M27 × 2-8	1	
29	LG50F.04329A-330A	止推螺栓	Thrust bolt		1	
30	GB5785-86	螺栓	Bolt	M12 × 1.5 × 50-10.9	1	
31	GB93-87	垫圈	Washer	12	1	
32	GB/T93	垫圈	Washer	14	14	
33	GB/T5786	螺栓	Bolt	M14 × 1.5 × 45-10.9	2	
34	GB/T119	销	Pin	A12 × 20	3	
35	LG50F.04331A	调整垫	Adjusting shim		1	单位：组
36	LG50F.04332A	调整垫	Adjusting shim		1	

主减速器总成 Main reductor assembly (LG50F.04300A 前桥 ;LG50F.04600A 后桥)



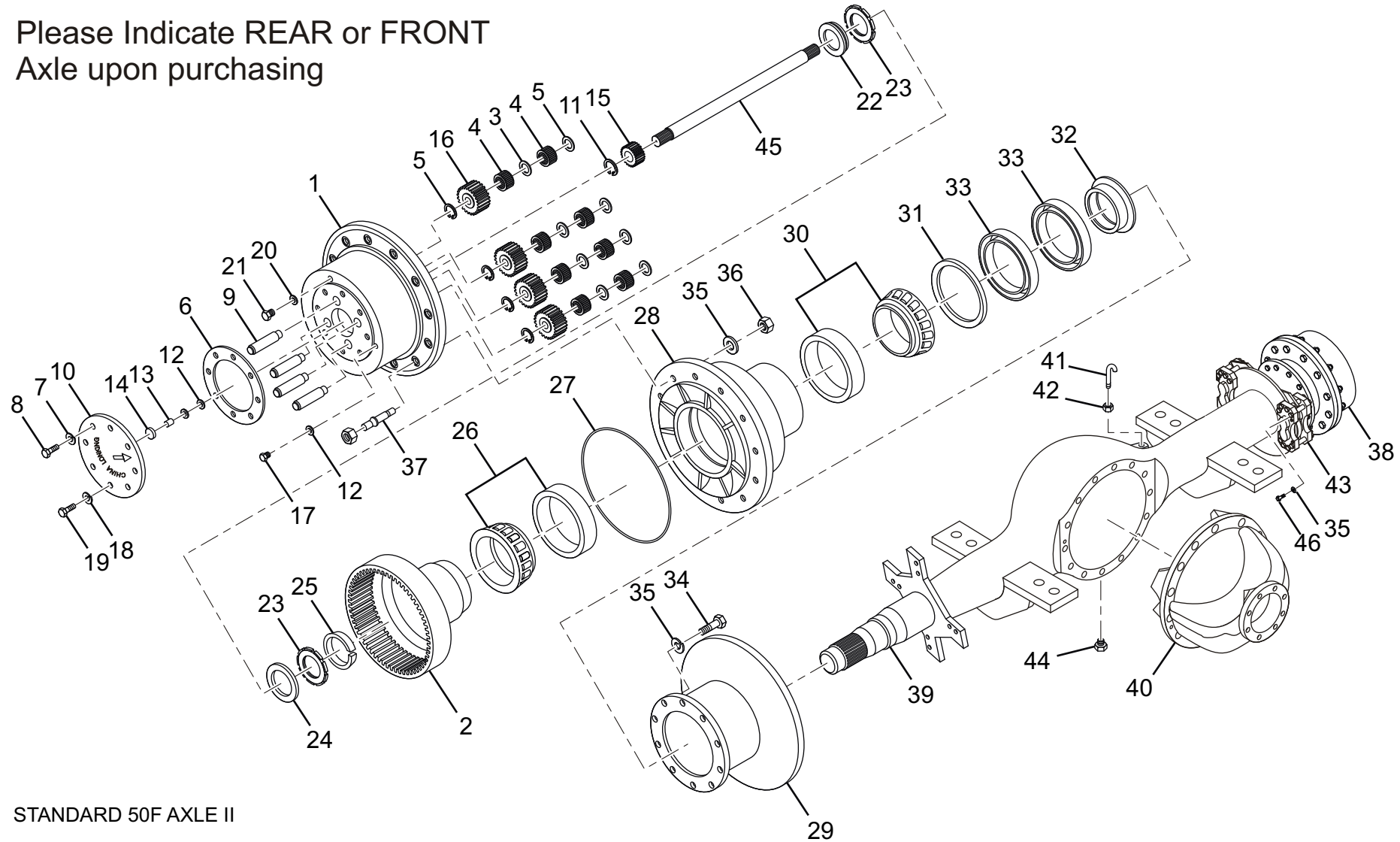
Please Indicate REAR or FRONT
Axle upon purchasing

STANDARD 50F AXLE I

主减速器总成 Main reductor assembly (LG50F.04300A 前桥 ;LG50F.04600A 后桥)						
Item	Parts number	Chinese Description	English Description	Specification	Qty	Remarks
37	GB/T91	开口销	Cotter pin	Φ3.2 × 26	12	
38	GB/T5785	螺栓	Bolt	M14 × 1.5 × 60 - 10.9	2	
39	GB/T5786	螺栓	Bolt	M14 × 1.5 × 35 - 10.9	10	

标准 50F 驱动桥 Standard 50F axle I (LG50F.04500A 前桥; LG50F.04800A 后桥)

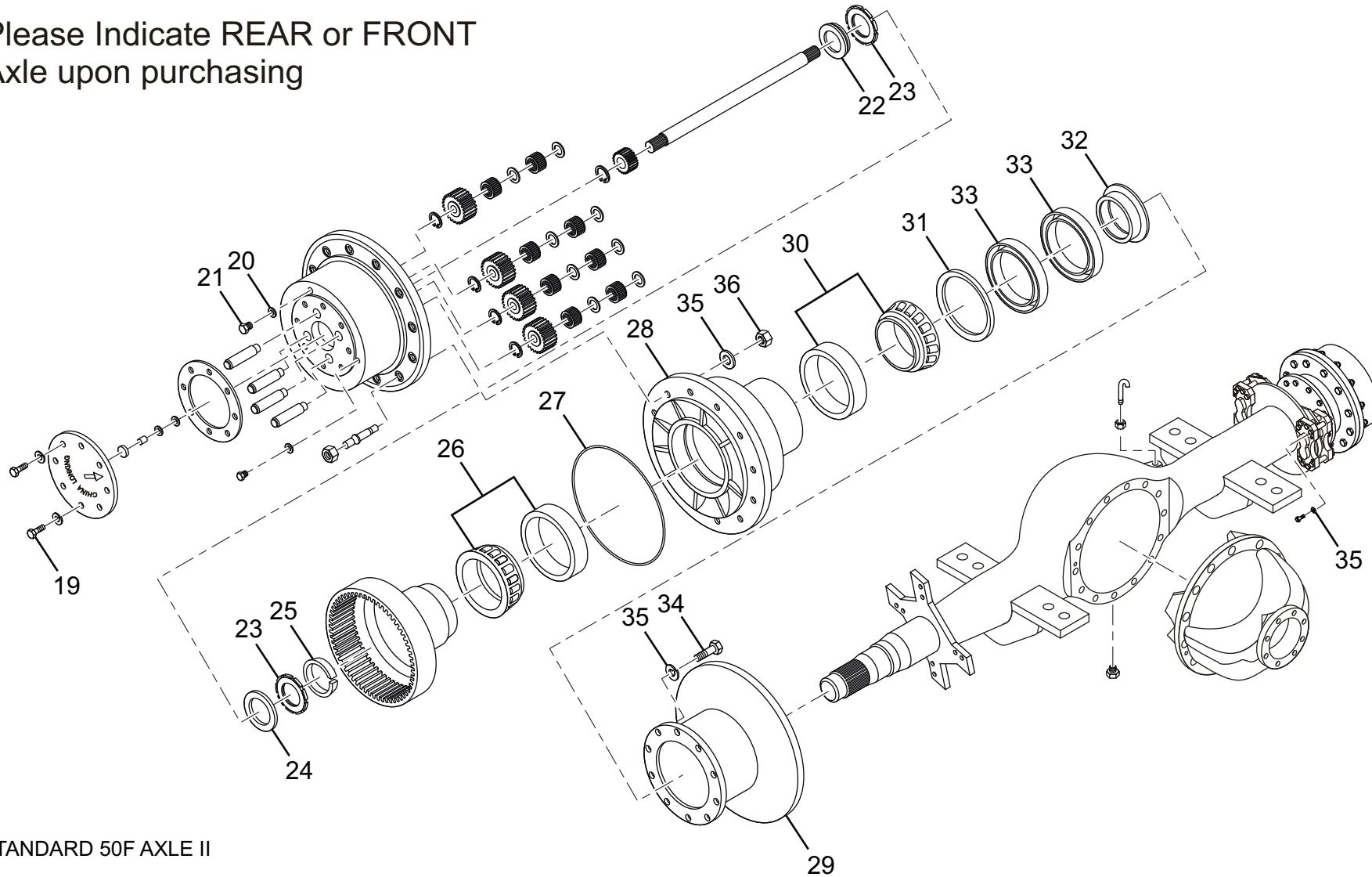
Please Indicate REAR or FRONT
Axle upon purchasing



标准 50F 驱动桥 Standard 50F axle I (LG50F.04500A 前桥; LG50F.04800A 后桥)						
Item	Parts number	Chinese Description	English Description	Specification	Qty	Remarks
1	LG50F.04401A	行星轮架	Planet gear carrier		1	
2	LG50F.04402A-404A	内齿圈总成	Inner ring gear assembly		1	
3	LG50F.04405A	隔套	Separating sleeve		4	
4	LG50F.04406A	滚针	Needle		216	
5	LG50F.04407A	挡圈	Sprag		8	
6	LG50F.04408A	密封垫	Seal gasket		1	
7	GB93-87	垫圈	Washer	12	7	
8	GB5783-86	螺栓	Bolt	M12 × 25-8.8	7	
9	LG50F.04409A	行星轮轴	Planet gear shaft		4	
10	LG50F.04410B	轮边端盖	Wheel end cover		1	
11	GB894.1-86	挡圈	Sprag	50	1	
12	LG50F.04411A	垫圈	Washer		3	
13	LG50F.04412A	半轴堵头	Axle shaft stopper		1	
14	LG50F.04413A	挡块	Block		1	
15	LG50F.04414A	太阳轮	Sun gear		1	
16	LG50F.04415A	行星轮	Plant gear		4	
17	LG50F.04416A	螺塞	Plug screw		1	
18	GB93-87	垫圈	Washer	10	1	

标准 50F 驱动桥 Standard 50F axle I (LG50F.04500A 前桥; LG50F.04800A 后桥)

Please Indicate REAR or FRONT
Axle upon purchasing

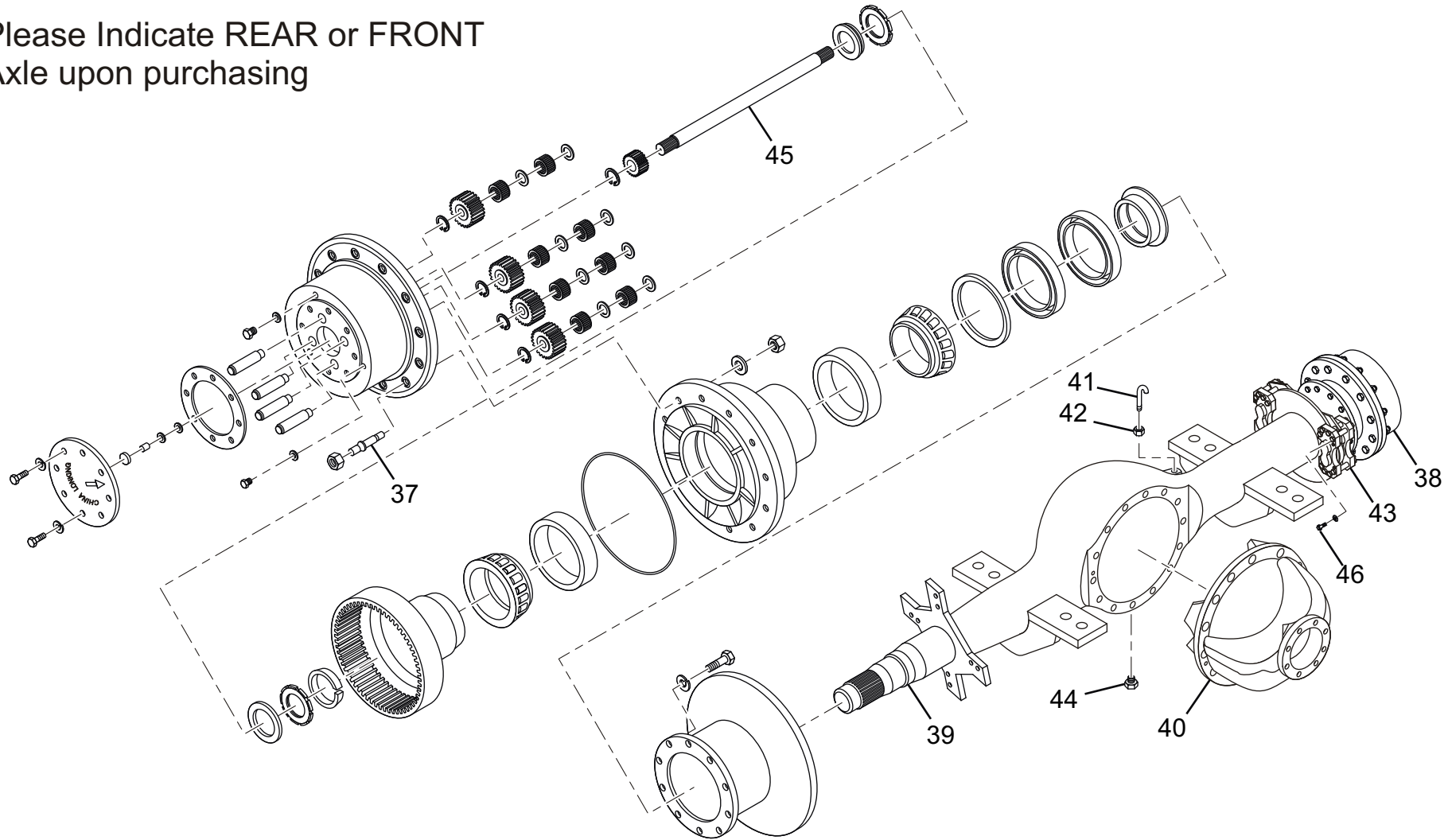


STANDARD 50F AXLE II

标准 50F 驱动桥 Standard 50F axle I (LG50F.04500A 前桥; LG50F.04800A 后桥)						
Item	Parts number	Chinese Description	English Description	Specification	Qty	Remarks
19	GB5783-86	螺栓	Bolt	M10 × 25-8.8	1	
20	LG50F.04417A	垫圈	Washer		1	
21	LG50F.04418A	油塞	Oil plug		1	
22	LG50F.04419A	隔套	Separating sleeve		1	
23	LG50F.04420A	圆螺母	Round nut		2	
24	GB858-88	垫圈	Washer	85	1	
25	LG50F.04421A	锥套	Taper sleeve		1	
26	GB/T297-94	轴承	Bearing	32026	1	130 × 200 × 45
27	LG50F.04422A	O 形密封圈	O-ring		1	
28	LG50F.04423A	轮毂	Wheel hub		1	
29	LG853.04.01-015	制动盘	Brake disc		1	借用
30	GB/T297-94	轴承	Bearing	32024	1	120 × 180 × 38
31	LG50F.04425A	挡油板	Oil baffle		1	
32	LG50F.04426A	轴套	Shaft sleeve		1	
33	GB9877.1-88	油封	Oil seal	FB150 × 180 × 15	2	
34	GB5786-86	螺栓	Bolt	M20 × 1.5 × 50-8.8	10	
35	GB/T93	垫圈	Washer	20	20	
36	GB6171-86	螺母	Nut	M20 × 1.5-10	10	

标准 50F 驱动桥 Standard 50F axle I (LG50F.04500A 前桥; LG50F.04800A 后桥)

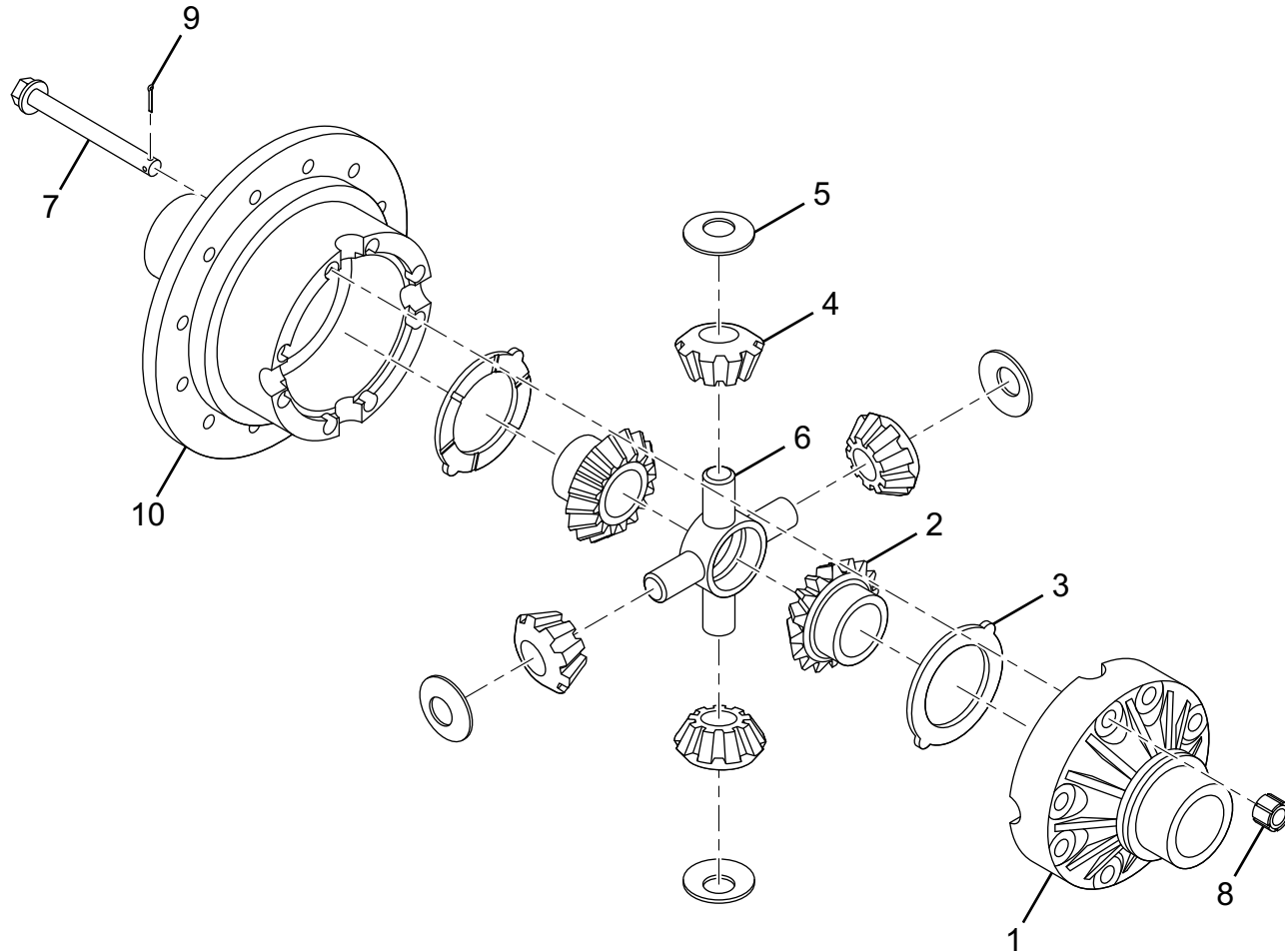
Please Indicate REAR or FRONT
Axle upon purchasing



STANDARD 50F AXLE II

标准 50F 驱动桥 Standard 50F axle I (LG50F.04500A 前桥; LG50F.04800A 后桥)						
Item	Parts number	Chinese Description	English Description	Specification	Qty	Remarks
37	LG50F.04427A	轮辋螺栓	Wheel rim bolt		10	
38	LG50F.04400A	轮边减速器总成	Wheel reductor assembly		2	
39	LG50F.04500A	前后桥壳总成	Front/rear axle housing assembly		1	请在购买前注明前桥使用 还是后桥使用
40	LG50F.04300A	主减速器总成	Main reductor assembly		1	LG50F.04300A 为前桥; LG50F.04600A 为后桥
	LG853.04.01.04B					
41	GB/T6173	透气管	Vent pipe		1	
42	LG853.04.01.03	螺母	Nut	M10 × 1	1	借用
43	LG853.04.01.05	钳盘式制动器总成	Disc brake assembly		4	借用
44	LG50F.04002A	螺塞	Plug screw		2	
45	LG853.04.01-020	半轴	Axle shaft		4	
46		螺栓	Bolt	M20 × 1.5 × 56	16	

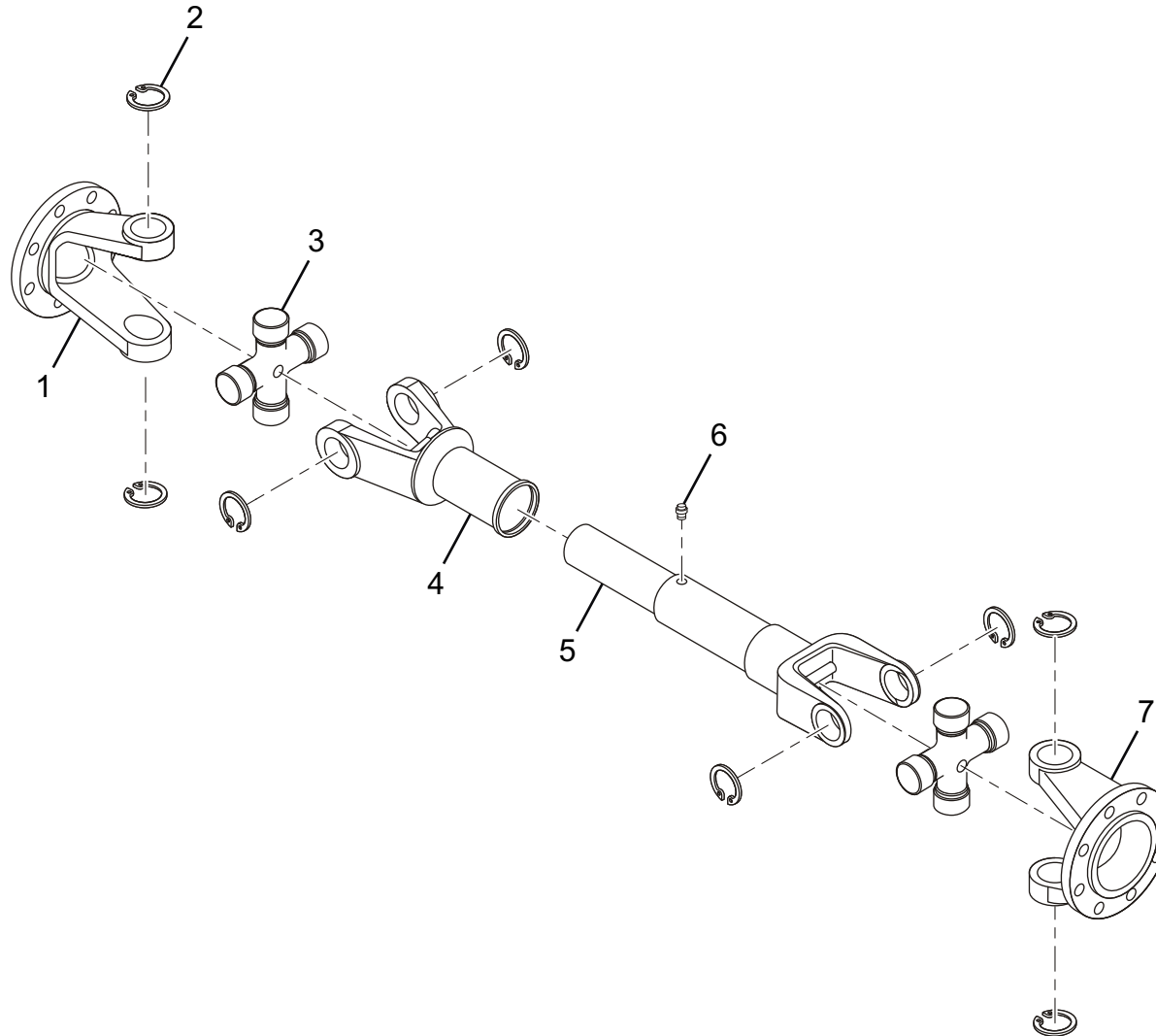
50F 差速器总成 Differential assembly for standard 50F axle (LG50F.04315A-323A)



DIFFERENTIAL ASSEMBLY FOR STANDARD 50F AXLE

50F 差速器总成 Differential assembly for standard 50F axle (LG50F.04315A-323A)						
Item	Parts number	Chinese Description	English Description	Specification	Qty	Remarks
1	LG50F.04315A-316A	差速器壳 I	Differential case I		1	
2	LG50F.04317A	半轴齿轮	Axle shaft gear		2	
3	LG50F.04318A	半轴齿轮垫片	Axle shaft gear gasket		2	
4	LG50F.04319A	锥齿轮	Bevel gear		4	
5	LG50F.04320A	锥齿轮垫片	Bevel gear gasket		4	
6	LG50F.04321A	十字轴	Spider		1	
7	LG50F.04322A	差速器螺栓	Differential bolt		8	
8	GB/T6178-86	开槽螺母	Groove nut	M16 × 1.5-10	8	
9	GB/T91	开口销	Cotter pin	4 × 28	8	
10	LG50F.04316A	差速器壳 II	Differential case II		1	

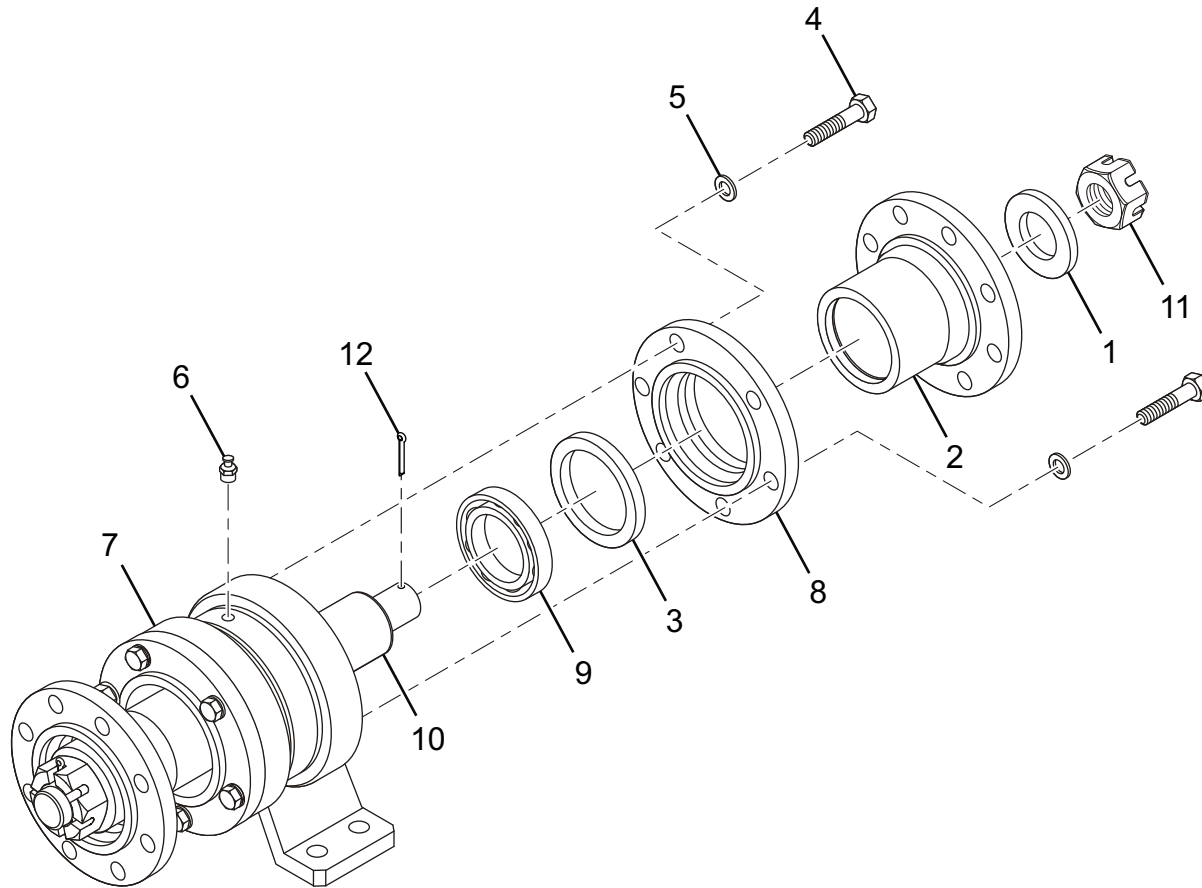
前传动轴 Front drive shaft (CDM856E.04 I .01)



FRONT DRIVE SHAFT

前传动轴 Front drive shaft (CDM856E.04 I .01)						
Item	Parts number	Chinese Description	English Description	Specification	Qty	Remarks
1	LG50F-023A	凸缘叉	Flange fork		1	
2	LG50F-026	弹性挡圈	Spring washer		8	
3	911.115-2201080	十字轴	Spider		2	
4	LG50F-055	花键轴叉总成	Spline shaft fork assembly		1	
5	LG50F-015	焊接叉总成	Welding fork assembly		1	
6	JB/T7940.1	油杯	Oil cup	M8 × 1	1	
7	LG50F-023	凸缘叉	Flange fork		1	

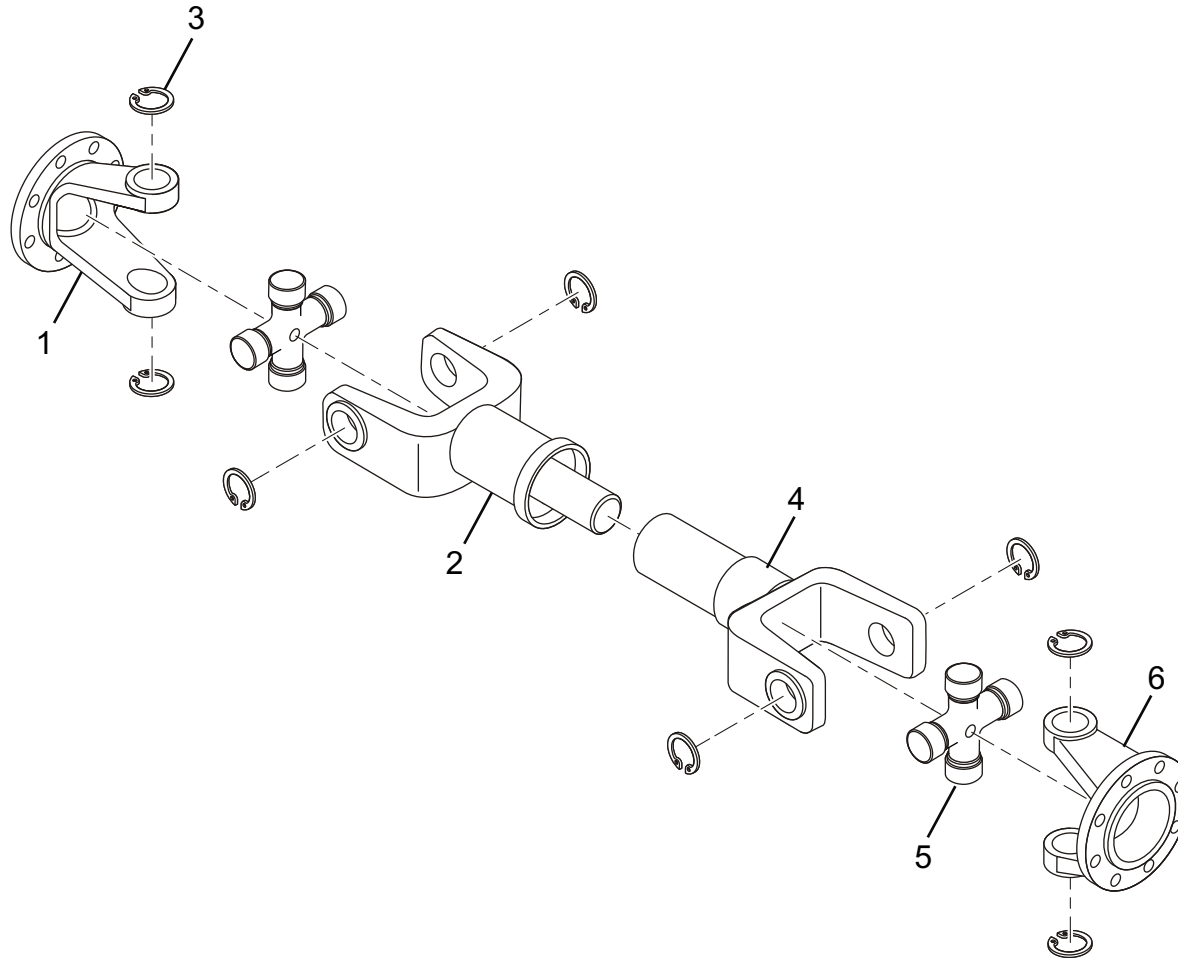
中间支承 Intermediate Support (CDM856E.04 I .02)



INTERMEDIATE SUPPORT

中间支承 Intermediate Support (CDM856E.04 I .02)						
Item	Parts number	Chinese Description	English Description	Specification	Qty	Remarks
1	2202G1-042	垫圈	Washer	Φ27 × Φ57 × 6	2	
2	LGZL50-111B	凸缘	Flange		2	
3	GB13871	油封	Oil seal	70 × 90 × 10	2	
4	GB5782	螺栓	Bolt	M8 × 30	12	
5	GB/T93	垫圈	Washer	8	12	
6	JB/T7940.1	油杯	Oil cup	M10 × 1	1	
7	LGZL50-090-1B	支架座	Bracket seat		1	
8	LGZL50-090-2B	轴承盖	Bearing cover		2	
9	GB/T276	轴承	Bearing	6311	2	
10	LGZL50-016B	花键轴	Spline shaft		1	
11	2202G1-041	槽型螺母	Groove nut	M27 × 1.5 × 16	2	
12	GB/T91	销	Pin	Φ5 × 40	2	

中后传动轴 Intermediate / Rear drive shaft assembly (CDM856E.04 I .03)

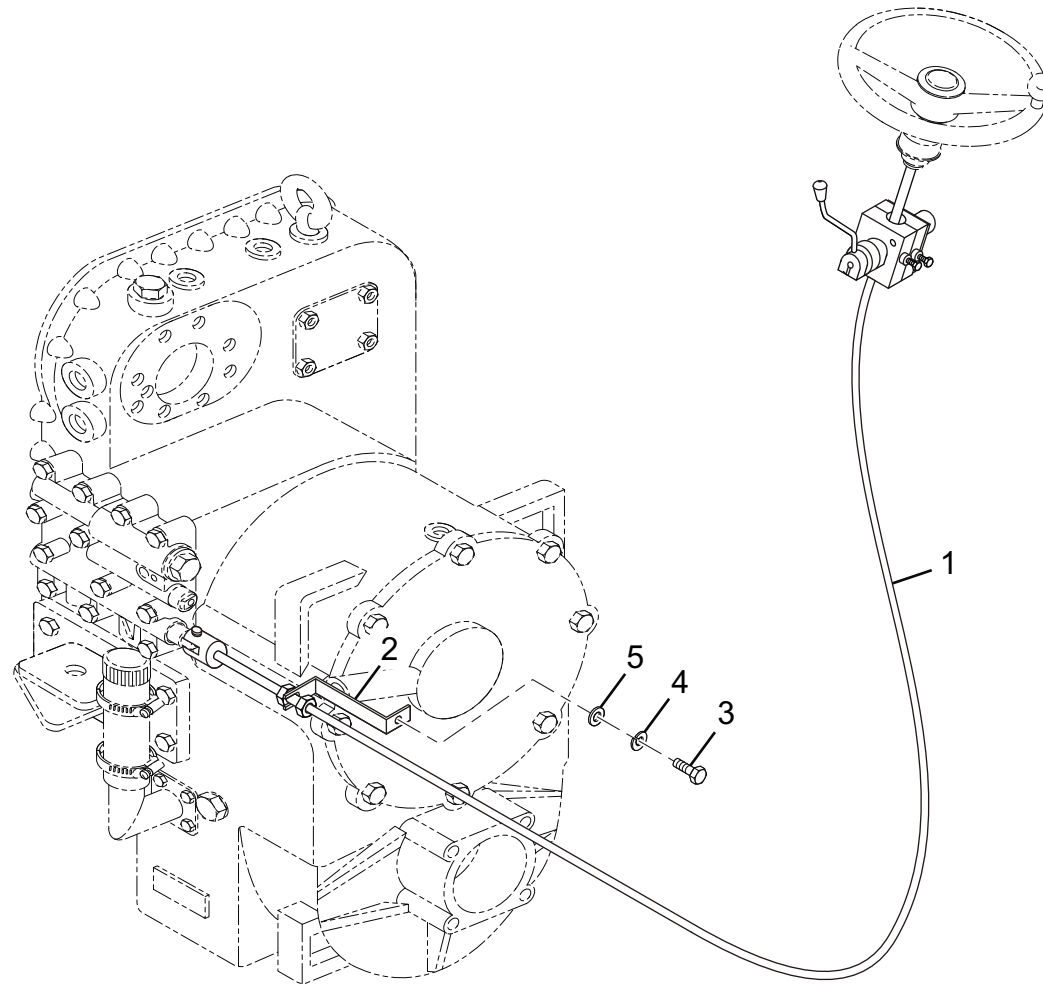


INTERMEDIATE / REAR DRIVE SHAFT ASSEMBLY

中后传动轴 Intermediate / Rear drive shaft assembly (CDM856E.04 I .03)

Item	Parts number	Chinese Description	English Description	Specification	Qty	Remarks
1	LG50F-023H	凸缘叉	Flange fork		1	
2	LG50F-055H	花键叉轴总成	Spline fork shaft assembly		1	
3	LG50F-026H	弹性挡圈	Spring wahser		8	
4	LG50F-020H	套管叉总成	Sleeve fork assembly		1	
5	HWT-2273-00	十字轴总成	Spider assembly		2	
6	LG50F-023HA	凸缘叉	Flange fork		1	

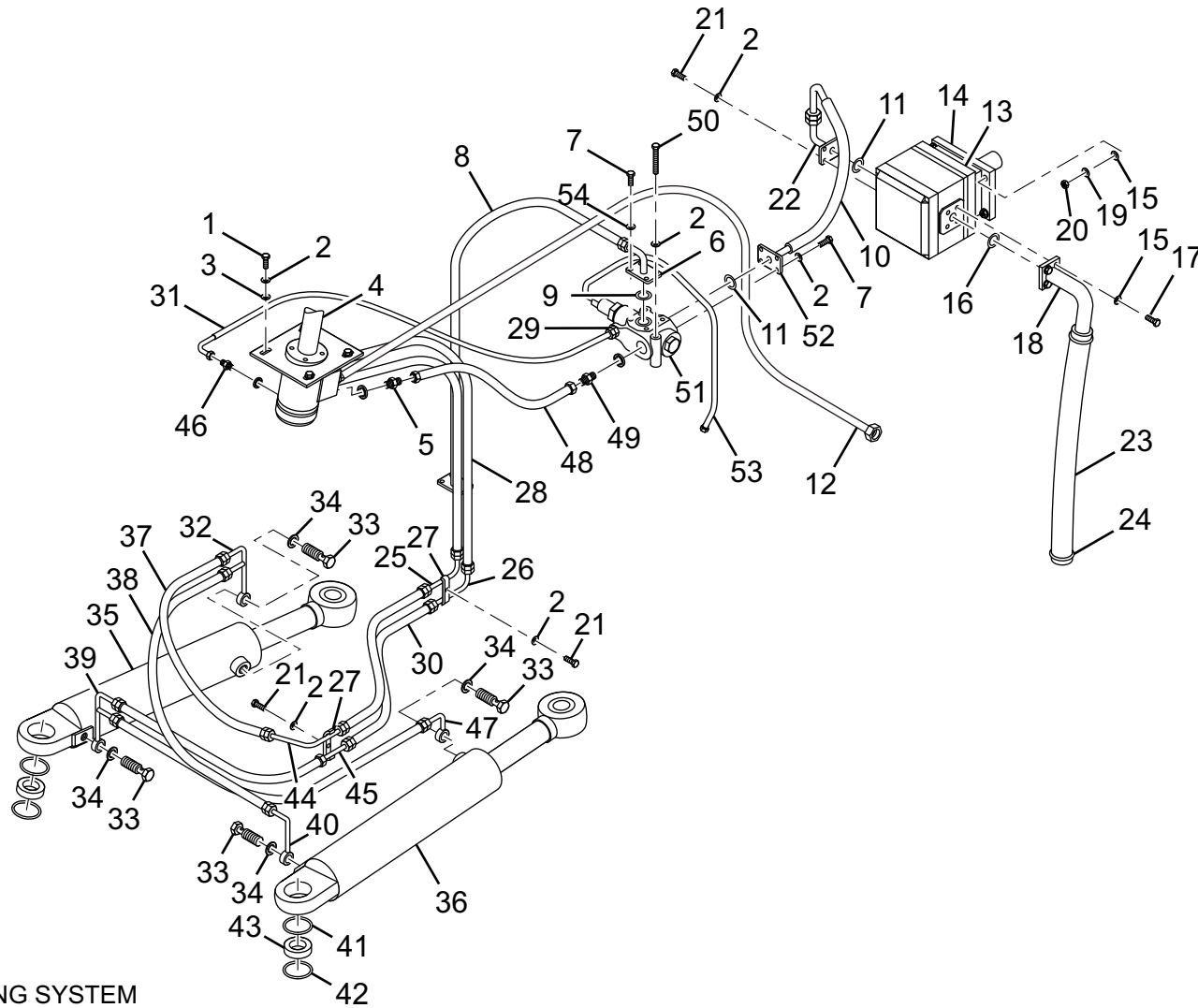
操纵系统 Control system



CONTROL SYSTEM

操纵系统 Control system						
Item	Parts number	Chinese Description	English Description	Specification	Qty	Remarks
1	CDM856E.05 I .01.01	变速操纵软轴	Speed control flexible shaft		1	外购 / WJ104CKX2210
2	LG853.05.01.03	变速泵轴固定板	Speed control flexible shaft securing plate		1	借用
3	GB/T5783-2000	螺栓	Bolt	M10 × 25	2	8.8
4	GB/T93-1987	垫圈	Washer	10	2	
5	GB/T97.1-2002	垫圈	Washer	10	2	

转向液压系统 Hydraulic steering system

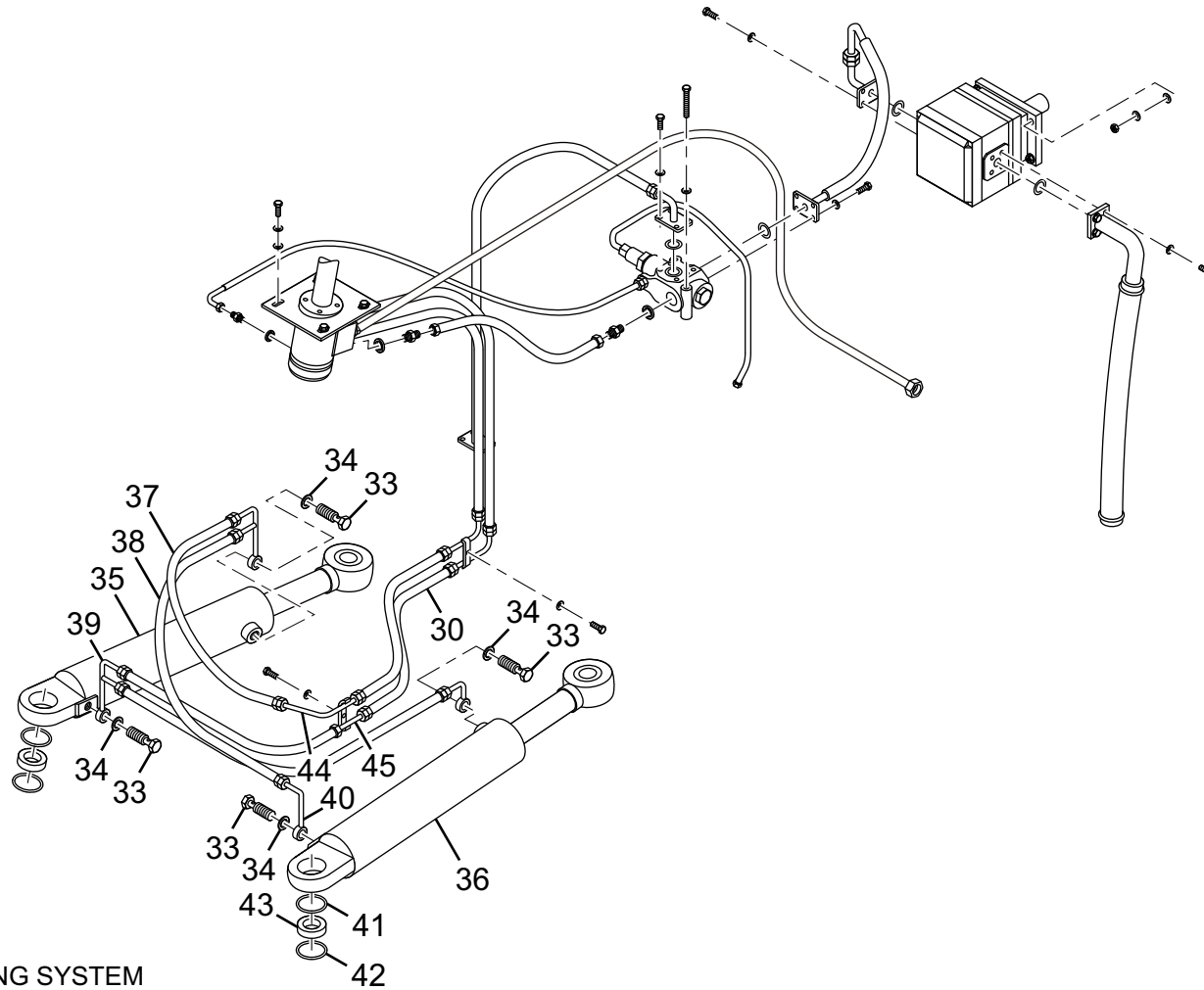


HYDRAULIC STEERING SYSTEM

转向液压系统 Hydraulic steering system						
Item	Parts number	Chinese Description	English Description	Specification	Qty	Remarks
1	GB/T5783-2000	螺栓	Bolt	M14 × 35	4	8.8
2	GB/T93-1987	垫圈	Washer	14	4	
3	GB/T97.1-2002	垫圈	Washer	14	4	
4	CDM856E.06 I .01	全液压转向机	Hydraulic steering gear		1	
5	L1CH-27-20	接头体	Adapter		4	
6	LG853.06-004	压板	Press plate		1	借用
7	GB/T5783-2000	螺栓	Bolt	M10 × 35	12	8.8
8	87311-16/87391-16*2N16*1040	优先阀分流胶管	Priority valve shunt hose		1	
9	GB3452.1-2005	O 形圈	O-ring	31.5 × 3.55	1	
10	80H-100°-15F(32)/25/28-2S-L570	优先阀进油胶管	Priority valve oil inlet hose		1	
11	GB/T3452.1-2005	O 形圈	O-ring	37.5 × 3.55	3	
12	20491-27T/20431-27T*1W12* 1350/270°	转向机回油胶管	Steering oil return hose		1	
13	P51A579BE0120-01	转向泵	Gear pump		1	Parker
14	LG853.06-001	密封垫	Seal gasket		1	借用
15	GB/T93-1987	垫圈	Washer	12	12	
16	GB/T3452.1-1982	O 形圈	O-ring	46.2 × 3.55	1	
17	GB/T5783-2000	螺栓	Bolt	M12 × 40	4	8.8

转向液压系统 Hydraulic steering system						
Item	Parts number	Chinese Description	English Description	Specification	Qty	Remarks
18	LG855.06.01	转向泵进油钢管	Steering pump oil inlet pipe		1	借用
19	GB/T97.1-2002	垫圈	Washer	12	4	
20	GB/T6170-2000	螺母	Nut	M12	8	8
21	GB/T5783-2000	螺栓	Bolt	M10 × 42	6	8.8
22	LG50EX.06.02	转向泵出油钢管	Steering pump oil outlet pipe		1	借用
23	Φ51 × 4-L520	吸油胶管	Oil suction hose		1	
24	JB/T8870-1999	喉箍	Hoop	(Φ55-71)	2	
25	LG855.06.04	后车架转向过渡钢管	Rear frame turning transition pipe		1	借用
26	LG855.06.05	后车架转向过渡钢管	Rear frame turning transition pipe		1	借用
27	LG853.06-005	后车架转向过渡接头 压板	Rear frame turning transition connector press plate		2	借用
28	20431-27T/20411-27T*2W12* 1252	转向机 AB 口出油胶管	Steering gear oil outlet hose for AB		2	
29	L1CH9-14-12OG	优先阀 LS 口接头	Priority valve connector for LS		1	
30	H-H/19/18-II-L1152	转向油缸进油胶管	Steering cylinder oil inlet hose		2	
31	20411-14/20491-14*2W05*700	转向器 LS 口胶管	Steering gear hose for LS		1	
32	LG855.06.06	右转向油缸小腔钢管	Small chamber pipe of right steering cylinder		1	借用

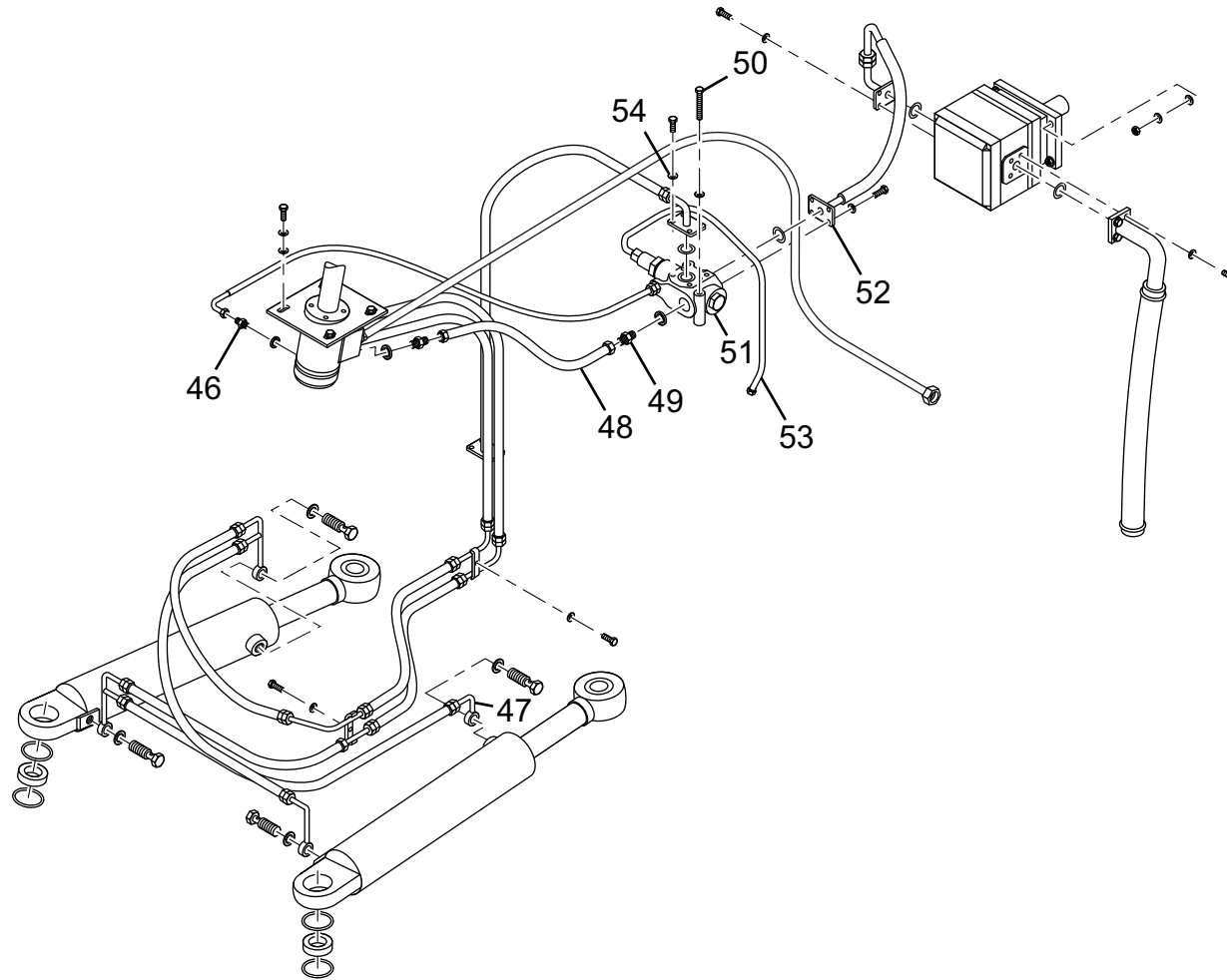
转向液压系统 Hydraulic steering system



HYDRAULIC STEERING SYSTEM

转向液压系统 Hydraulic steering system						
Item	Parts number	Chinese Description	English Description	Specification	Qty	Remarks
33	JB/T999-1977	铰接螺栓	Articulated bolt	M22 × 1.5 × 48	4	
34	JB/T966-2005	垫圈	Washer	22	8	
35	CDM855.06.14	右转向油缸	Right steering cylinder		1	
36	CDM855.06.13	左转向油缸	Left steering cylinder		1	
37	H-H/19/18-II-L685	转向油缸间胶管	Hose between steering cylinder		2	
38	H-H/19/18-II-L650	转向油缸胶管	Steering hose		2	
39	LG855.06.07	右转向油缸大腔钢管	Big chamber pipe of right steering cylinder		1	
40	LG855.06.08	左转向油缸大腔钢管	Big chamber pipe of left steering cylinder		1	
41	GB/T3452.1-2005	O 形圈	O-ring	50 × 5.3.	8	
42	GB/T3452.1-2005	O 形圈	O-ring	65 × 5.3	8	
43	LG855.06-001	转向油缸连接密封座	Connecting seal seat for steering cylinder		8	
44	LG855.06.09	前车架右转向过渡钢管	Front frame right steering transition connector		1	
45	LG855.06.10	前车架左转向过渡钢管	Front frame left steering transition connector		1	

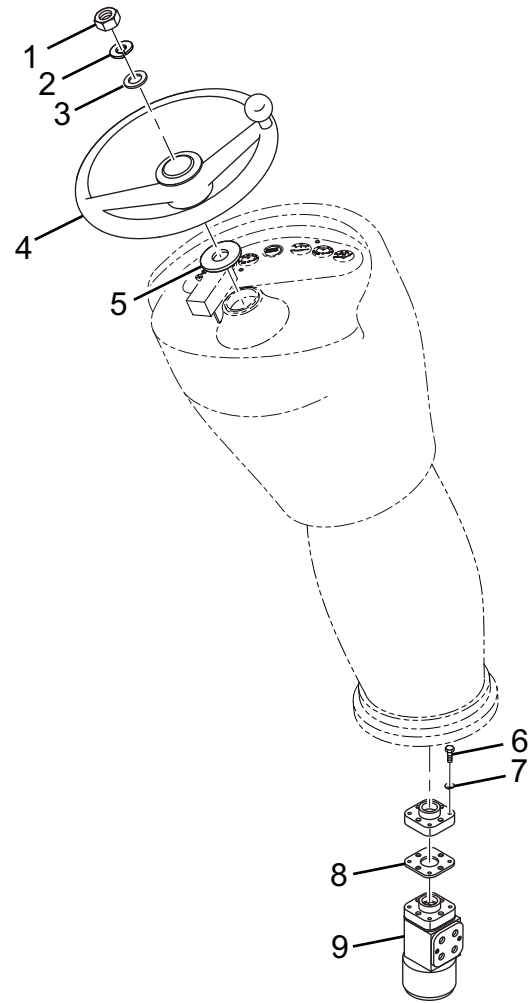
转向液压系统 Hydraulic steering system



HYDRAULIC STEERING SYSTEM

转向液压系统 Hydraulic steering system						
Item	Parts number	Chinese Description	English Description	Specification	Qty	Remarks
46	L1CH-14-12	接头体	Adapter		2	
47	LG855.06.11	左转向油缸小腔钢管	Small chamber pipe of left steering cylinder		1	借用
48	20491-27T/20431-27T *2W12*500/90°	优先阀至转向机胶管	Hose from priority valve to steering gear		1	
49	L1CH-27-33	优先阀出油接头体	Priority valve oil outlet adapter		1	
50	GB/T5782-2000	螺栓	Bolt	M10 × 100	2	8.8
51	LG853.06.09	优先阀	Priority valve		1	伊顿 VLE-150/882-5902 -059-9
52	LG853.07-007	压板	Press plate		1	借用
53	20411-14*20491- 14*1W05*800	优先阀泄漏胶管	Priority valve leakage hose		1	
54	GB/T93-1987	垫圈	Washer	10	16	

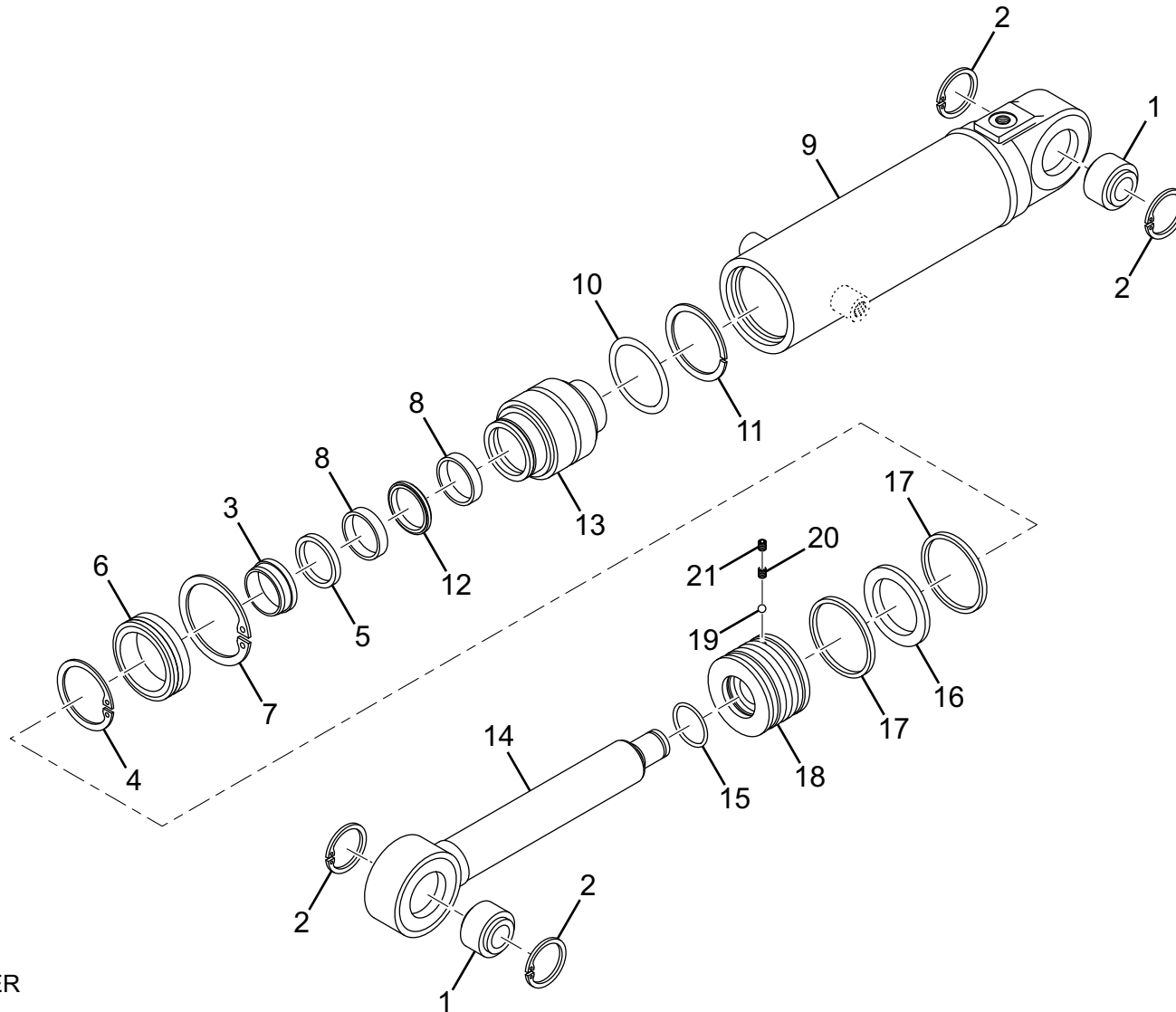
全液压转向机 Hydraulic steering gear



HYDRAULIC STEERING GEAR

全液压转向机 Hydraulic steering gear						
Item	Parts number	Chinese Description	English Description	Specification	Qty	Remarks
1	GB/T6170-2000	螺母	Nut	M16	1	8
2	GB/T93-1987	垫圈	Washer	16	1	
3	GB/T97.1-2002	垫圈	Washer	16	1	
4	LG855.06.02.01	方向盘总成	Steering wheel assembly		1	外购
5	LG853.06.02.02	导电套	Conducting sleeve		1	借用
6	GB/T5782-2000	螺栓	Bolt	M10 × 30	4	8.8
7	GB/T93-1987	垫圈	Washer	10	4	
8	LG853.06.02-003	调整垫	Adjusting gasket		1	借用
9	CDM856E.06 I .01.01	转向器	Steering gear	(阀块)	1	外购 / 伊顿 BZZ-800/550 -7185(FK-/20/831-2604)

转向油缸 Steering Cylinder (Left : CDM855.06.13 / Right :CDM855.06.14)

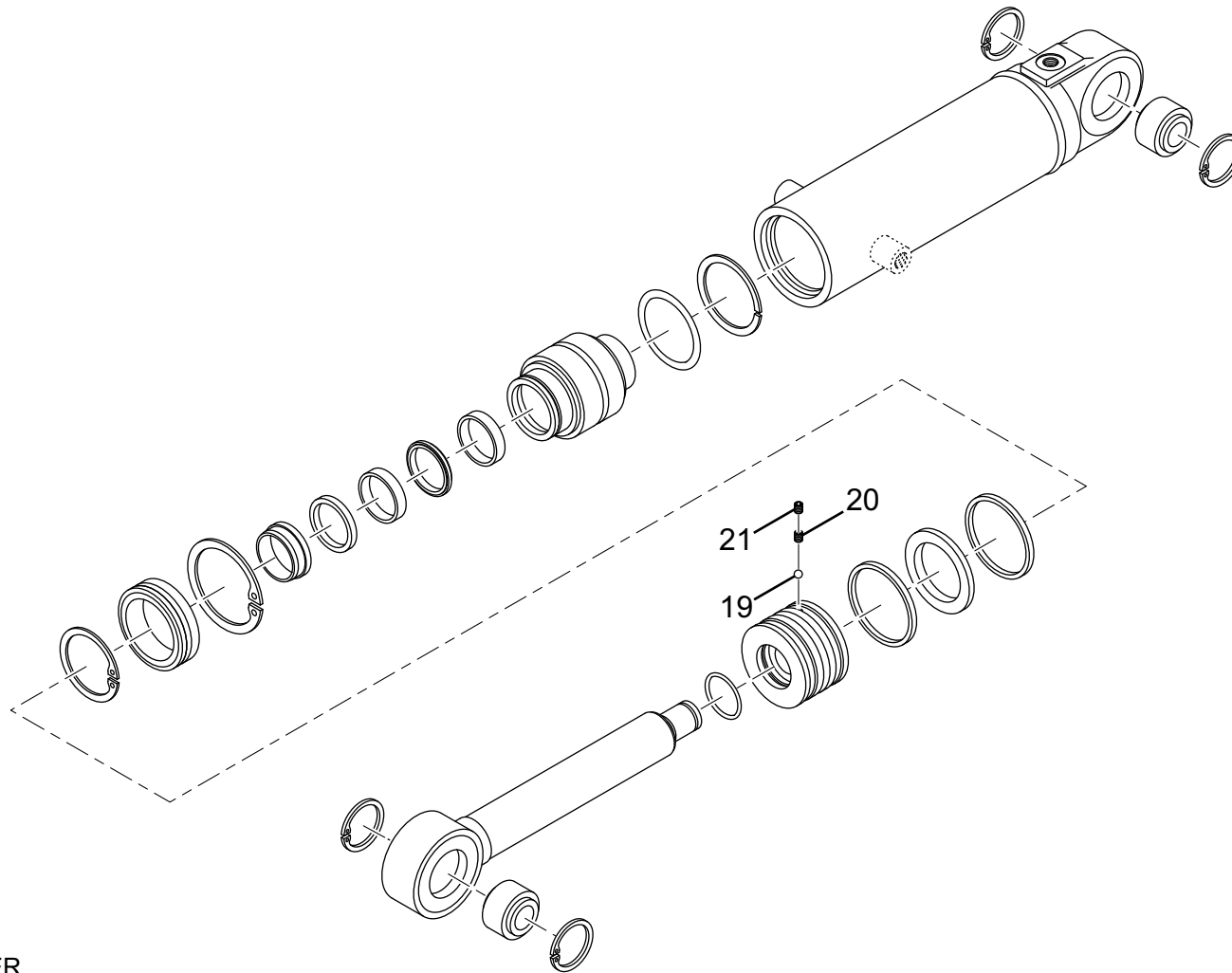


STEERING CYLINDER

转向油缸 Steering Cylinder (Left : CDM855.06.13 / Right :CDM855.06.14)

Item	Parts number	Chinese Description	English Description	Specification	Qty	Remarks
1	JB/T8879-2001	关节轴承	Joint bearing	GE50ES-C3	2	组合件
2	GB/T893.1	孔用弹性挡圈	Spring sprag	75	4	65Mn
3	AF 055A Z5071	防尘圈	Dust ring	55 × 69 × 8	1	金属骨架聚胺脂
4	GB/T894.1	轴用弹性挡圈 90	Spring sprag for shaft		1	65Mn
5	BS 5564 P5008	活塞杆密封圈	Piston seal ring	55 × 65 × 10	1	PU
6	ZL50F-630001B	环	Ring		1	45
7	ZL50F-630002A	弹簧挡圈	Spring sprag		1	碳素弹簧钢丝 II 组
8	FR 5507 Q5029	支承环	Support ring	55 × 60 × 9.7	2	增强酚醛夹布
9	ZL50F-631000B	缸体	Cylinder body		1	焊接件
10	2-341	O 形圈	O-ring	Φ88.27 × 5.33	1	NBR80
11		挡圈	Sprag	100 × 91 × 1.52	1	聚四氟乙烯
12	BR 055A 00601	缓冲圈	Bumper ring	55 × 70.5 × 6	1	PTFE+NBR
13	CDM855.06.13-01	导向套	Guide sleeve		1	QT450-10
14	CDM856.630001	活塞杆	Piston rod		1	45
15	2-227	O 形圈	O-ring	Φ53.57 × 3.53	1	NBR80
16	KR 0100 00701	活塞密封圈	Piston seal ring	100 × 84.5 × 6.3	1	PTFE+NBR
17	FR 9510 Q5029	支承环	Support ring	95 × 100 × 9.7	2	增强酚醛夹布
18	ZL50F-630005C	活塞	Piston		1	45

转向油缸 Steering Cylinder(Left : CDM855.06.13 / Right :CDM855.06.14)

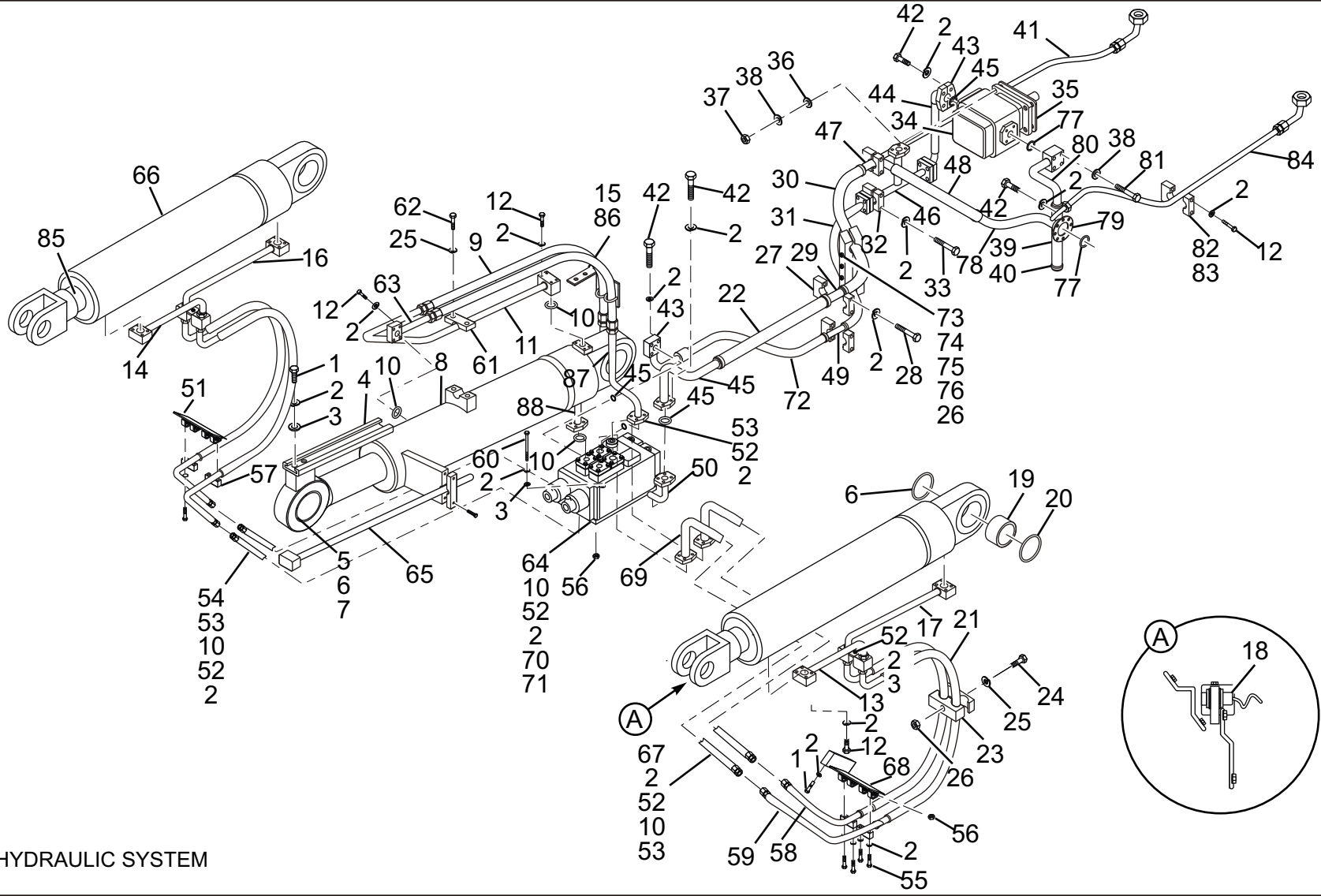


STEERING CYLINDER

转向油缸 Steering Cylinder (Left : CDM855.06.13 / Right :CDM855.06.14)

Item	Parts number	Chinese Description	English Description	Specification	Qty	Remarks
19	GB/T308-1989	钢球	Steel ball	SΦ5.5	1	
20	GB/T77-2000	螺钉	Screw	M8 × 16	1	
21	GB/T77-2000	螺钉	Screw	M8 × 10	1	

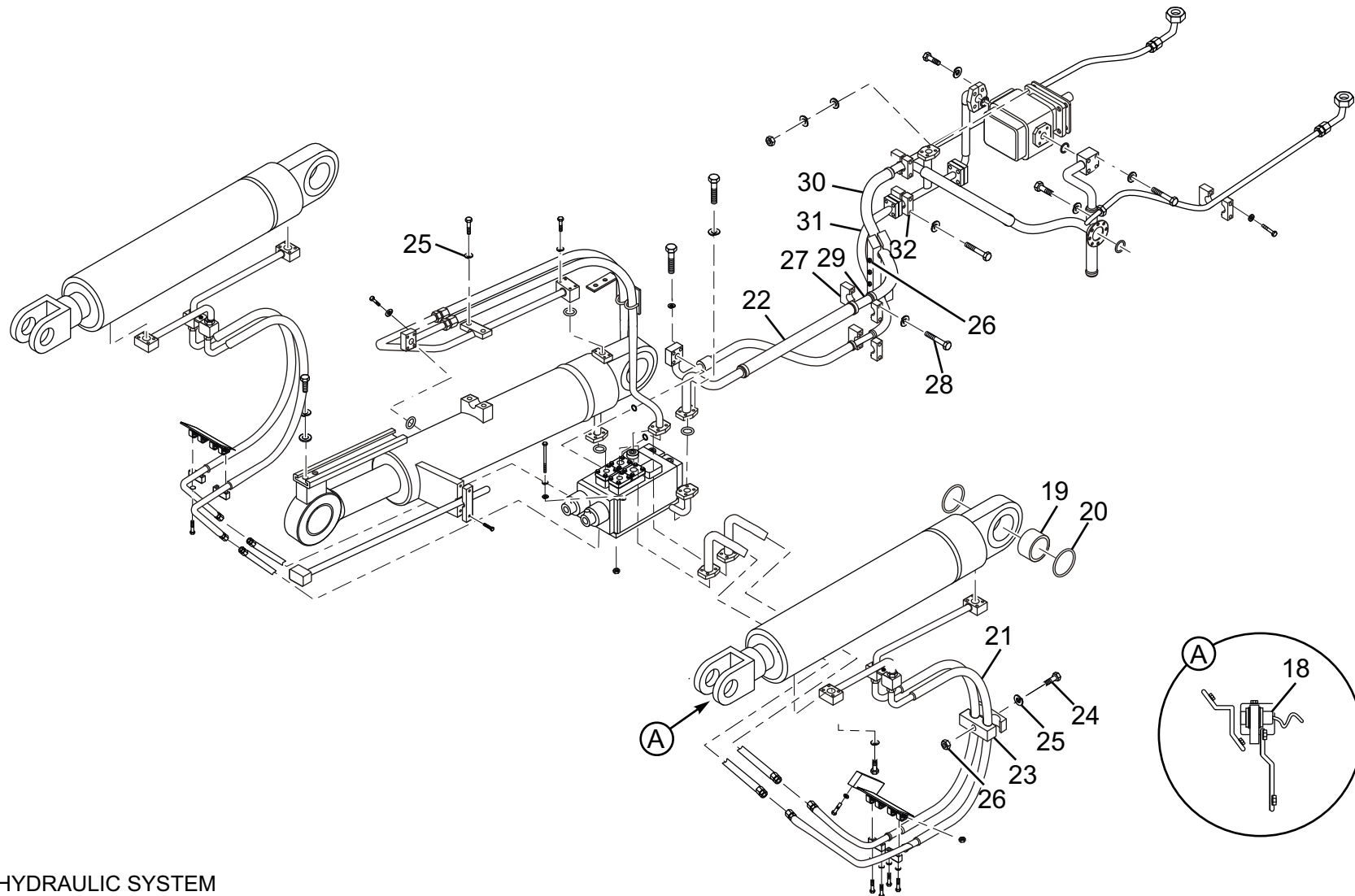
工作液压系统 Implement hydraulic system



IMPLEMENT HYDRAULIC SYSTEM

工作液压系统 Implement hydraulic system							
Item	Parts number	Chinese Description	English Description	Specification	Qty	Remarks	
1	GB/T5783-2000	螺栓	Bolt	M10 × 20	6	8.8	
2	GB/T93-1987	垫圈	Washer	10	97		
3	GB/T97.1-2002	垫圈	Washer	10	8		
4	CDM856E.07 I .09	转斗油缸保护板组件	Guard shield of tilt cylinder		1		借用
5	LG853.07-005	转斗油缸连接密封座	Tilt cylinder connecting seal seat		2		
6	GB/T3452.1	O 形圈	O-ring	95 × 5.3	6		
7	GB/T3452.1	O 形圈	O-ring	80 × 5.3	2		
8	CDM856E.07 I .10	转斗油缸	Tilt cylinder		1		
9	20411-36T/20441-36T *2N16*1050	分配阀至转斗缸胶管	Hose from distribution valve to tilt cylinder cylinder		2		
10	GB/T3452.1	O 形圈	O-ring	32.5 × 3.55	14		
11	LG855.07.04	转斗油缸后腔钢管	Rear chamber pipe of tilt cylinder		1		
12	GB/T5782-2000	螺栓	Bolt	M10 × 70	24		8.8
13	LG855.07.05	动臂油缸前腔钢管	Front chamber pipe of lift cylinder		1		
14	LG855.07.06	动臂油缸前腔管	Front chamber pipe of lift cylinder		1		
15	CDM858.07 I .01	钢管固定架	Pipe fixed		2		
16	LG855.07.07	动臂油缸后腔钢管	Rear chamber pipe of lift cylinder		1		
17	LG855.07.08	动臂油缸后腔钢管	Rear chamber pipe of lift cylinder		1		

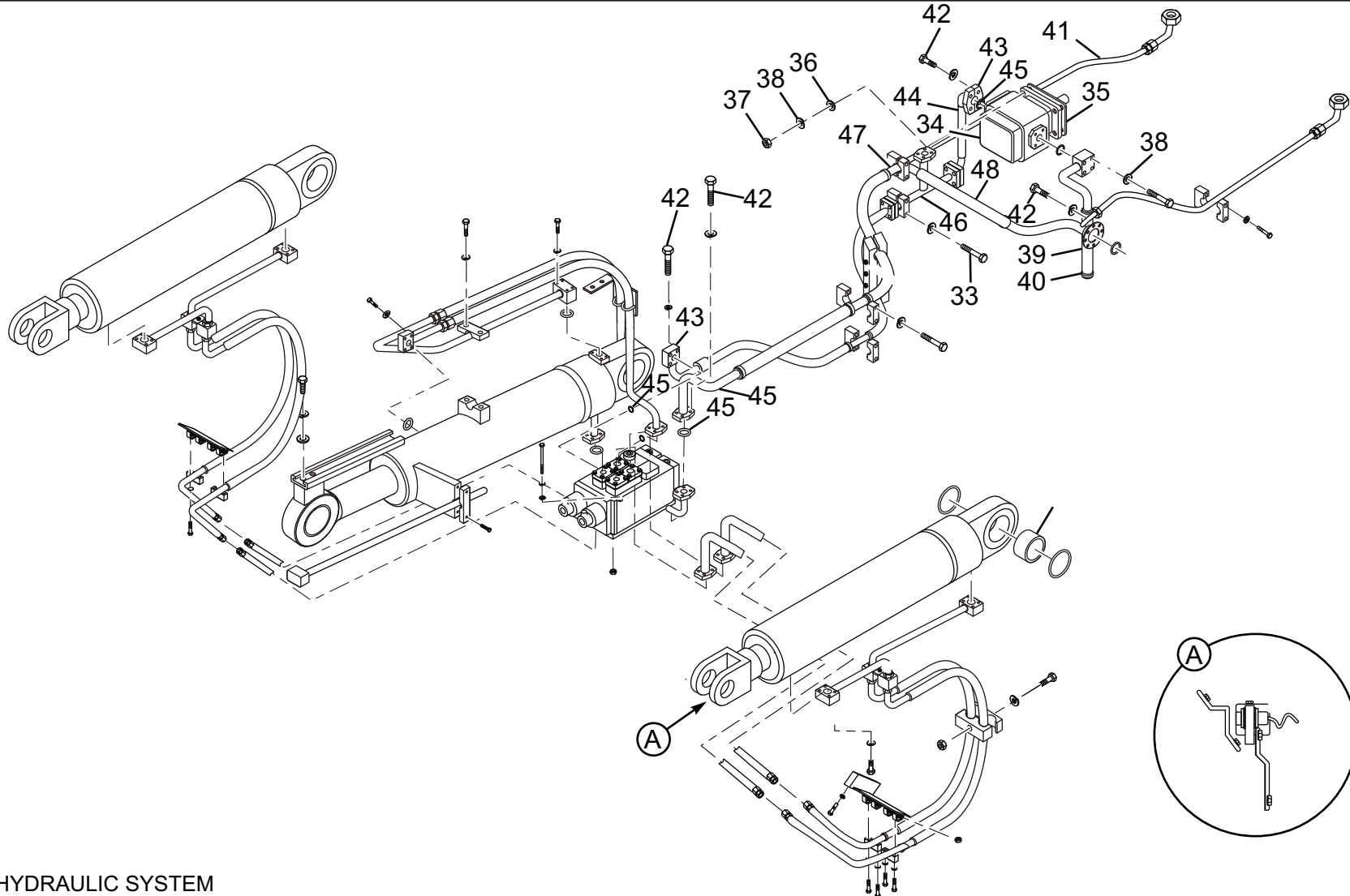
工作液压系统 Implement hydraulic system



IMPLEMENT HYDRAULIC SYSTEM

工作液压系统 Implement hydraulic system						
Item	Parts number	Chinese Description	English Description	Specification	Qty	Remarks
18	CDM856E.07.01	动臂提升限位装置	Lift cylinder locating device		1	借用
19	LG853.07-006	动臂油缸连接密封座	Lift cylinder connecting seal seat		2	
20	GB/T3452.1	O 形圈	O-ring	71 × 5.3	4	
21	20411-36T/20481-36T *2N16*1600	动臂缸胶管	Hose of lift cylinder		4	
22	20411-52T*2W24*640	分配阀回油胶管	Distribution valve oil return hose		1	借用
23	LG853.07-003	管夹	Pipe clamp		4	
24	GB/T5783-2000	螺栓	Bolt	M8 × 25	2	8.8
25	GB/T93-1987	垫圈	Washer	8	4	
26	GB/T6170-2000	螺母	Nut	M8	10	8
27	LG853.07-004	后车架回油过渡接头压板	Rear frame oil return transition connector press plate		2	
28	GB/T5782-2000	螺栓	Bolt	M10 × 50	4	8.8
29	LG855.07.09	前车架回油过渡接头	Front frame oil return transition connector		1	
30	20411-52T*2W24*1152	铰接回油胶管	Articulated oil return hose		1	
31	20412-42TGB*4SH20 *1240	铰接进油胶管	Articulated oil inlet hose		1	
32	LG853.07-002	前（后）车架进油过渡 接头压板	Front (rear) frame oil inlet transition connector press plate		2	

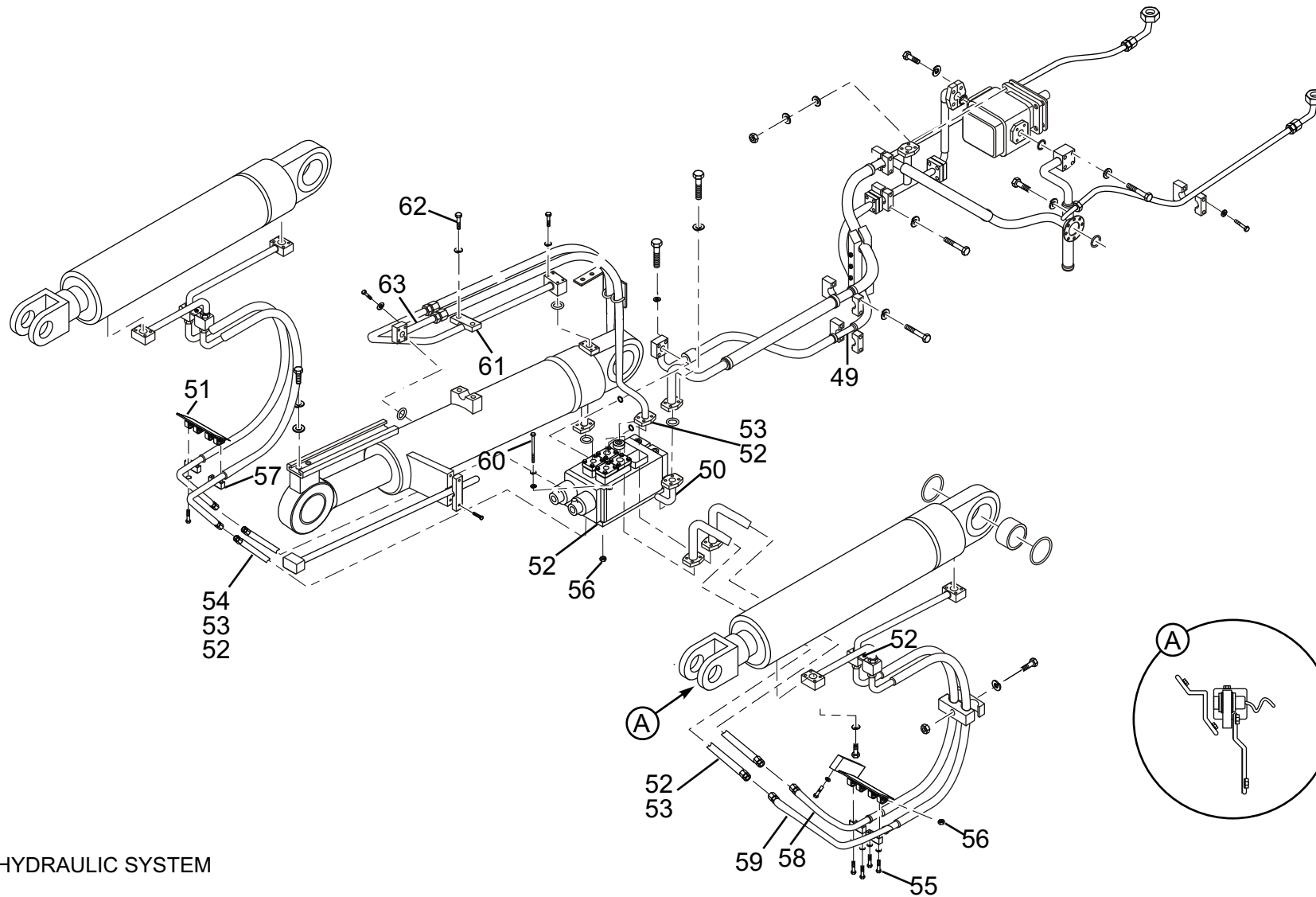
工作液压系统 Implement hydraulic system



IMPLEMENT HYDRAULIC SYSTEM

工作液压系统 Implement hydraulic system						
Item	Parts number	Chinese Description	English Description	Specification	Qty	Remarks
33	GB/T5782-2000	螺栓	Bolt	M10 × 42	4	8.8
34	P51A579BE0225-02	工作泵	Implement pump		1	Parker
35	LG853.06-001	密封垫片	Seal gasket		1	借用
36	GB/T97.1-2002	垫圈	Washer	12	2	
37	GB/T6170-0-2000	螺母	Nut	M12	4	8
38	GB/T93-1987	垫圈	Washer	12	8	
39	Φ51 × 4-L520	吸油胶管	Oil suction hose		1	
40	JB/T8870	喉箍	Hoop	Φ51-70	2	
41	20411-36T/20491-36 *1W16*2800	冷却器进油胶管	Cooler input oil hose		1	
42	GB/T5783-2000	螺栓	Bolt	M10 × 35	16	8.8
43	FL-20	法兰夹	Flange folder		3	
44	87341-20/87391-20 *2N16*500/270°	工作泵出油胶管	Implement pump oil outlet hose		1	
45	GB/T3452.1	O 形圈	O-ring	37.5 × 3.55	4	
46	LG855.07.10	工作泵出油钢管	Implement pump oil outlet pipe		1	借用
47	CDM856E.07 I .01	回油过渡接头	Oil return transition connector		1	
48	20411-52T*2W24*560	回油胶管	Oil return hose		1	

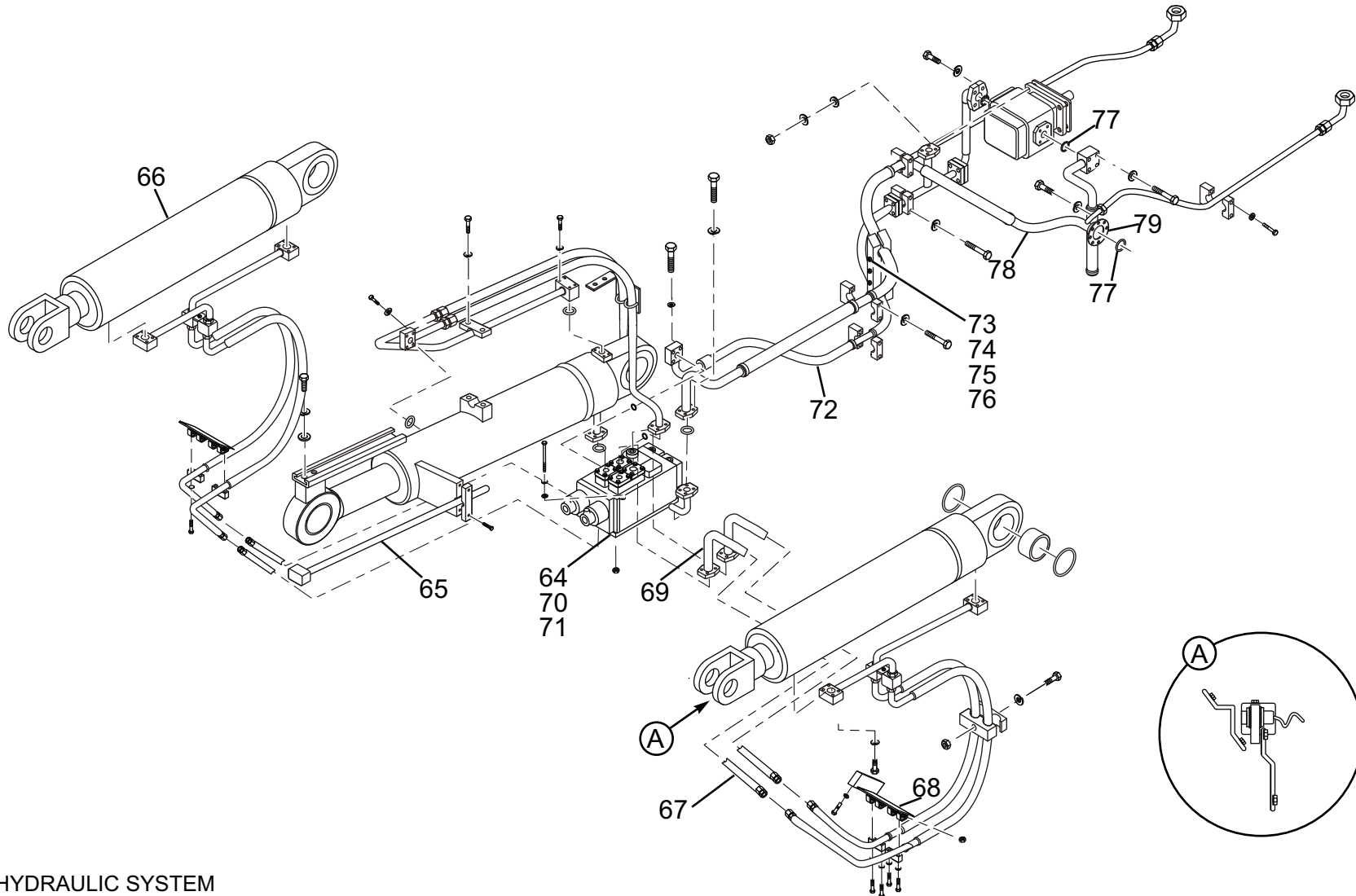
工作液压系统 Implement hydraulic system



IMPLEMENT HYDRAULIC SYSTEM

工作液压系统 Implement hydraulic system						
Item	Parts number	Chinese Description	English Description	Specification	Qty	Remarks
49	LG853.07.04	前车架进油过渡接头	Front frame oil inlet transition connector		1	
50	LG50C.07 III.04	多路阀回油钢管	Distribution valve oil return pipe		1	
51	LG50EX.07.13	动臂钢管固定板	Lift arm pipe fixed		1	
52	GB/T5783-2000	螺栓	Bolt	M10 × 30	32	8.8
53	FL-16	法兰夹	Flange folder		6	
54	20411-36T/87391-16	分配阀至右侧动臂缸	Hose from distribution valve to the		2	
	*2N16*720	胶管	right boom cylinder			
55	GB/T5782-2000	螺栓	Bolt	M10 × 60	8	8.8
56	GB/T6170-2000	螺母	Nut	M10	11	8
57	LG50EX.07-005	管夹	Pipe clamp		4	借用
58	LG855.07.15	多路阀至动臂缸大腔	Hose from distribution valve to		2	借用
		钢管	lift cylinder big chamber			
59	LG855.07.14	多路阀至动臂缸小腔	Hose from distribution valve to		2	借用
		钢管	small cylinder big chamber			
60	GB/T5782-2000	螺栓	Bolt	M10 × 90	3	8.8
61	LG855.07-003	管夹	Pipe clamp		1	借用
62	GB/T5783-2000	螺栓	Bolt	M8 × 30	2	8.8
63	LG855.07.03	转斗油缸前腔钢管	Front chamber pipe of tilt cylinder		1	借用

工作液压系统 Implement hydraulic system

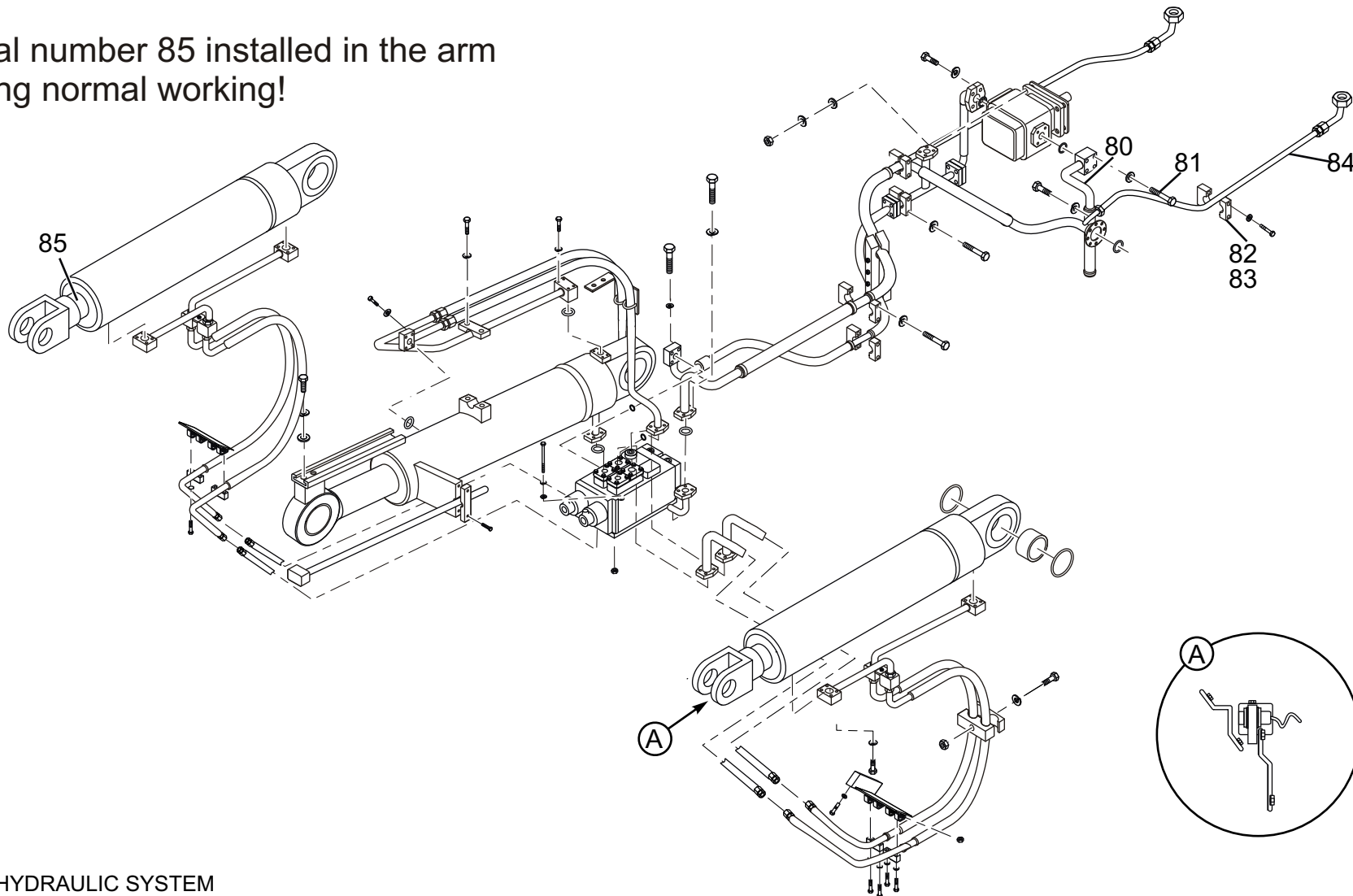


IMPLEMENT HYDRAULIC SYSTEM

工作液压系统 Implement hydraulic system						
Item	Parts number	Chinese Description	English Description	Specification	Qty	Remarks
64	LG50C.07 III -001	法兰	Flange		2	借用
65	CDM856E.07 I .07	转斗自动放平装置	Automatic level device		1	
66	CDM855.07.02	动臂油缸	Lift cylinder		2	
67	20411-36T*2N16*870	分配阀至左侧动臂缸胶管	Hose from distribution valve to the left boom cylinder		2	
68	LG50EX.07.14	动臂钢管固定板	Lift arm pipe fixed		1	借用
69	L1CFL9-36-16	弯公制外螺纹卡套接头	Ferrule fitting connection	90 °	2	
70	KM300-2	液控多路阀	Hydraulic distribution valve		1	Parker
71	LG50C.07 III .11	先导操纵系统	Pilot control system		1	借用
72	20412-42TGB/87392-20*4SH20*900	分配阀进油胶管	Distribution valve inlet oil hose		1	
73	GB/T5782-2000	螺栓	Bolt	M8 × 130	4	8.8
74	GB/T97.1-2002	垫圈	Washer	8	4	
75	LG50EX.07-003	管夹	Pipe clamp		1	借用
76	LG50EX.07-004	管夹	Pipe clamp		2	借用
77	GB/T3452.1	O 形圈	O-ring	58 × 3.55	2	
78	CDM856E.07 I .02	液压系统回油钢管	Hydraulic system oil return pipe		1	
79	LG853.07-001	压板	Press plate		1	借用

工作液压系统 Implement hydraulic system

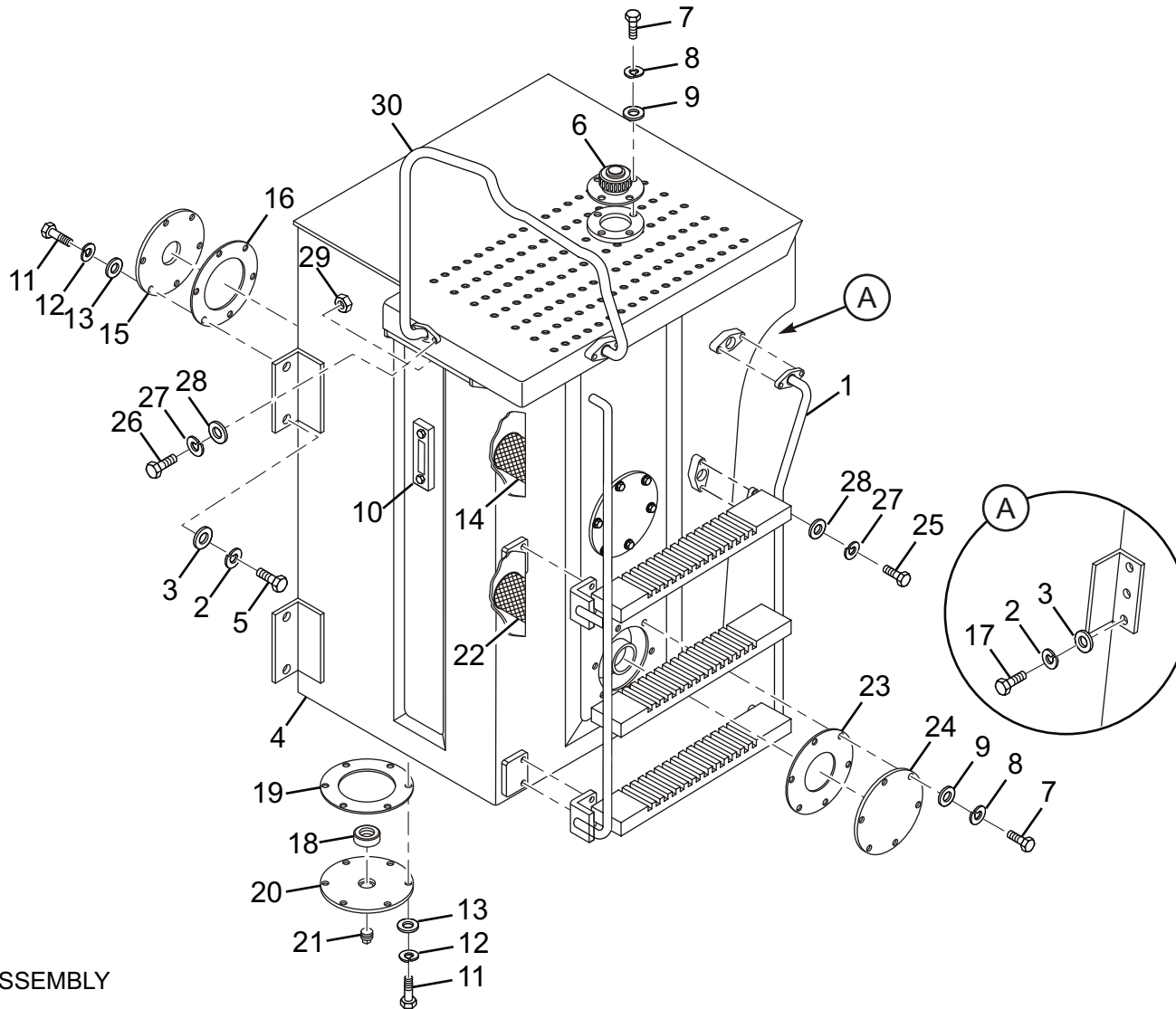
Note: Serial number 85 installed in the arm during normal working!



IMPLEMENT HYDRAULIC SYSTEM

工作液压系统 Implement hydraulic system						
Item	Parts number	Chinese Description	English Description	Specification	Qty	Remarks
80	LG856.07 I .04	工作泵进油钢管	Implement pump oil inlet pipe		1	借用
81	GB/T5782-2000	螺栓	Bolt	M12 × 85	4	8.8
82	LG853.02.02-004	橡胶管夹	Hose clamp		4	借用
83	LG853.02.02-005	自制压板	Press plate		4	借用
84	20411-36T/20491-36T *1W16*3300	冷却器回油胶管	Cooler output oil hose		1	
85	CDM856E.07 I .03	动臂油缸支撑架	Lift cylinder carriage		2	

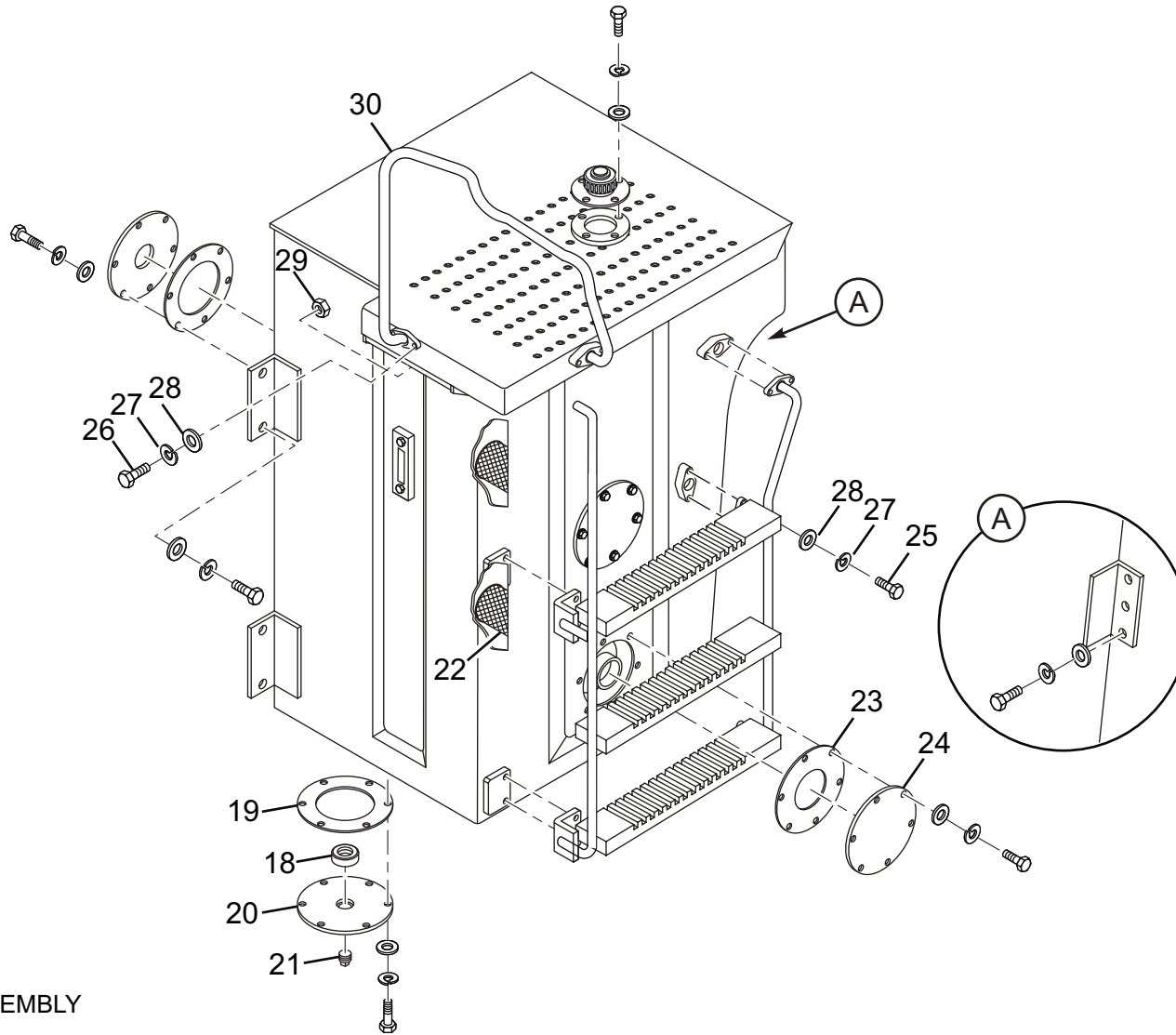
液压油箱总成 Hydraulic Tank Assembly (CDM856E.13 II .09)



HYDRAULIC TANK ASSEMBLY

液压油箱总成 Hydraulic tank assembly(CDM856E.13 II .09)						
Item	Parts number	Chinese Description	English Description	Specification	Qty	Remarks
1	CDM856E.13 I .09.03	左爬梯焊合	Left handrail assembly		1	
2	GB/T93	垫圈	Washer	16	7	
3	GB/T97.1	垫圈	Washer	16	7	
4	CDM856E.13 II .09.01	液压油箱体	Hydraulic tank body		1	
5	GB/T5783	螺栓	Bolt	M16 × 40	4	
6	LG853.13.08.04	空气滤清器	Air cleaner		1	外购
7	GB/T5783	螺栓	Bolt	M8 × 20	16	
8	GB/T93	垫圈	Washer	8	16	
9	GB/T97.1	垫圈	Washer	8	16	
10	CDM856E.13 I .08.04	长形油标	Oil indicator		1	
11	GB/T5783	螺栓	Bolt	M10 × 25	12	
12	GB/T93	垫圈	Washer	10	12	
13	GB/T97.1	垫圈	Washer	10	12	
14	LG855.13.09.03	回油滤清器	Oil return filter		1	外购 / 原为 LG50F-1000 × 12-H
15	CDM856E.13 I .09.02	回油法兰盖	Oil return flange cover		1	
16	LG855.13.09-001	垫片	Gasket		1	原为 507523C
17	GB/T5783	螺栓	Bolt	M16 × 35	3	

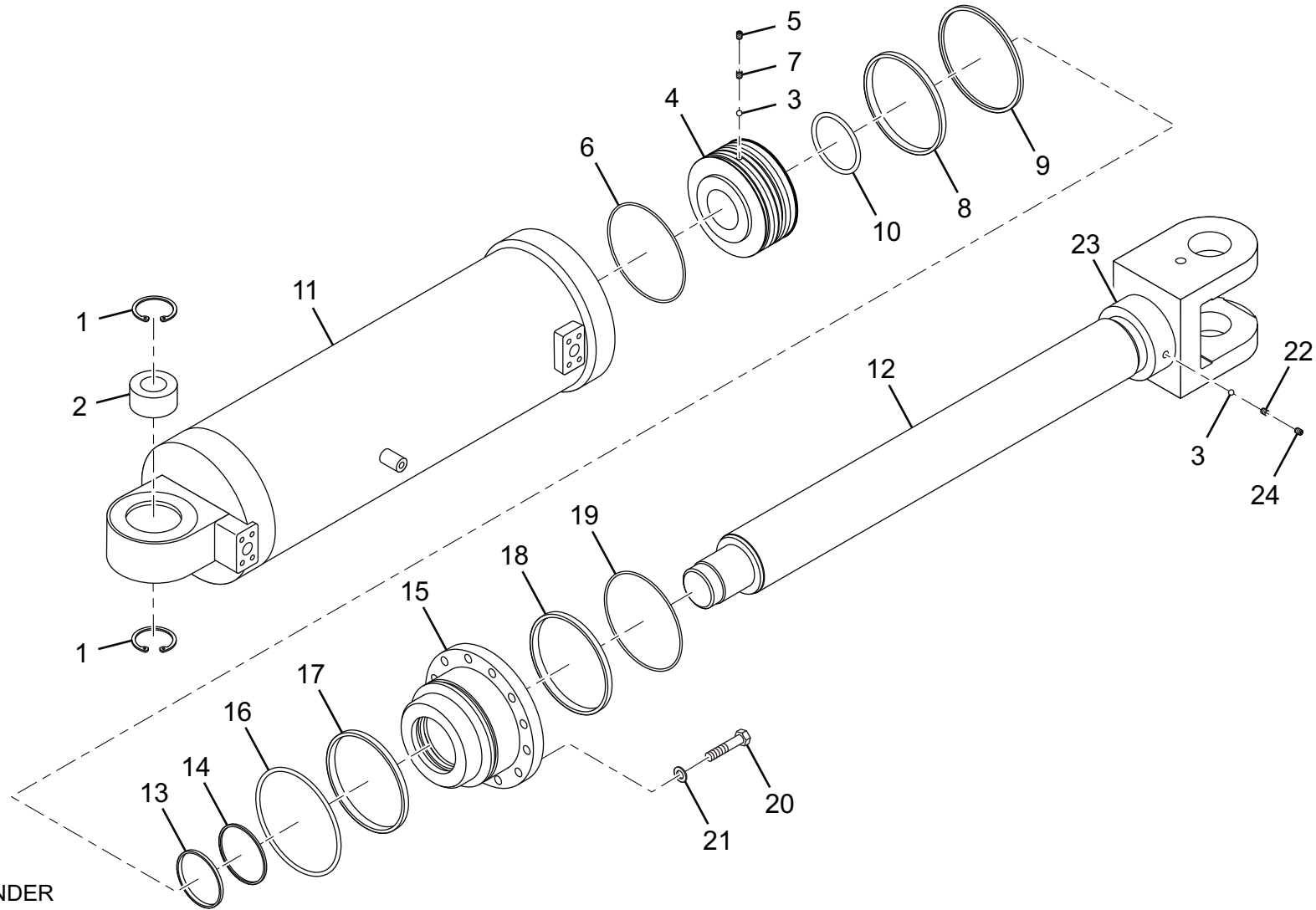
液压油箱总成 Hydraulic Tank Assembly (CDM856E.13 II .09)



HYDRAULIC TANK ASSEMBLY

液压油箱总成 Hydraulic tank assembly(CDM856E.13 II .09)						
Item	Parts number	Chinese Description	English Description	Specification	Qty	Remarks
18	LG853.13.08-003	磁铁	Magnet	Φ80 × Φ40 × 12	1	外购
19	LG853.13.08-002	垫片	Gasket		1	
20	LG853.13.08.03	放油盖	Oil drain cover		1	借用
21	LG853.13.08-001	堵头	Stopper		1	借用
22	LG855.13.09.05	吸油滤清器	Oil suction filer		1	外购 / 原为 LG50F-1000 × 120-j
23	LG853.13.09-002	垫片	Gasket		2	
24	LG853.13.09.03	法兰盖	Flange cover		2	
25	GB/T5783	螺栓	Bolt	M12 ×25	8	8.8
26	GB/T5783	螺栓	Bolt	M12 ×40	4	8.8
27	GB/T97.1	垫圈	Washer	12	16	
28	GB/T93	垫圈	Washer	12	12	
29	GB/T6170	螺母	Nut	M12	4	8
30	CDM856E.13 I .09.04	左前扶手上方焊合	Top rotary welding right		1	

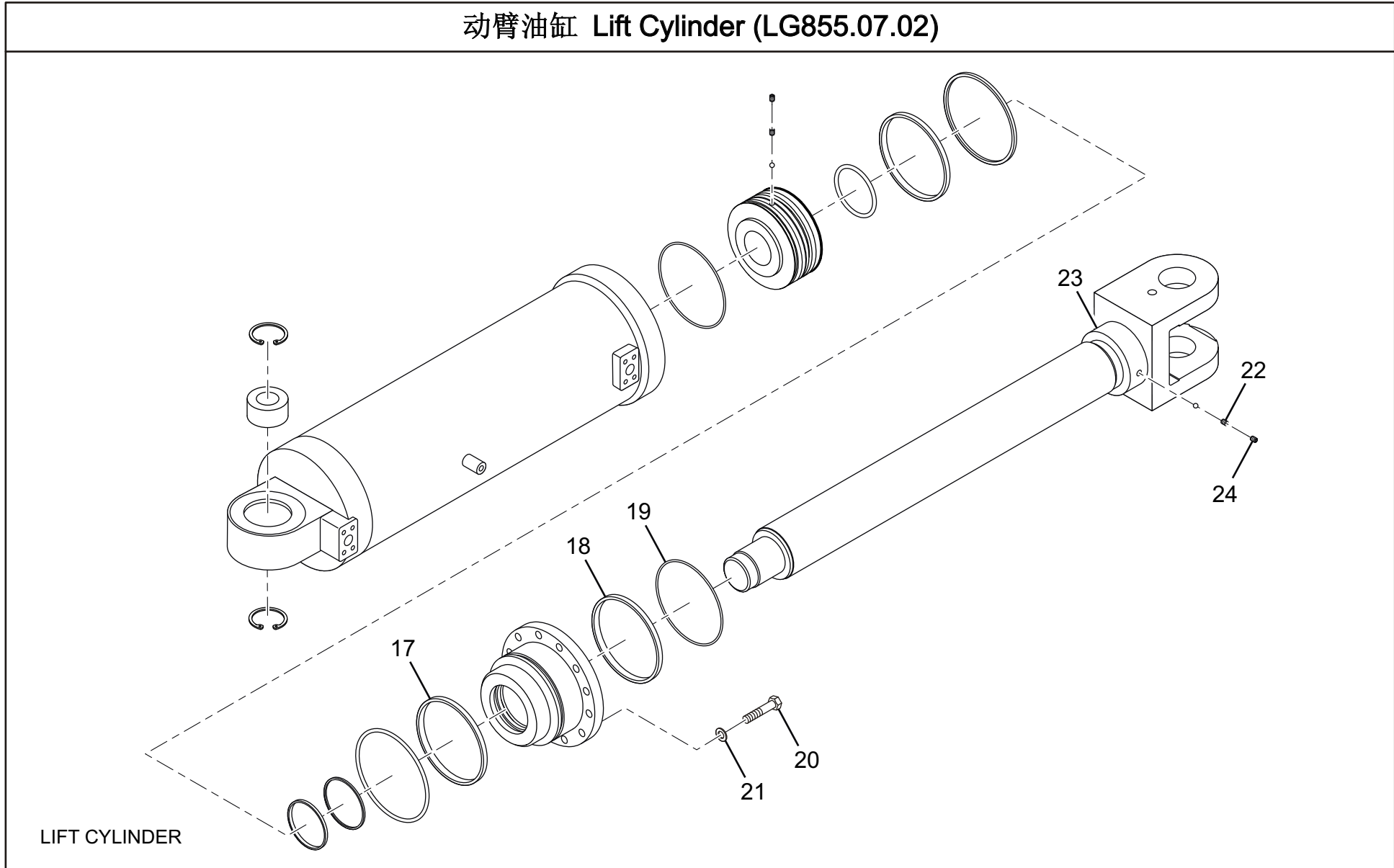
动臂油缸 Lift Cylinder (LG855.07.02)



LIFT CYLINDER

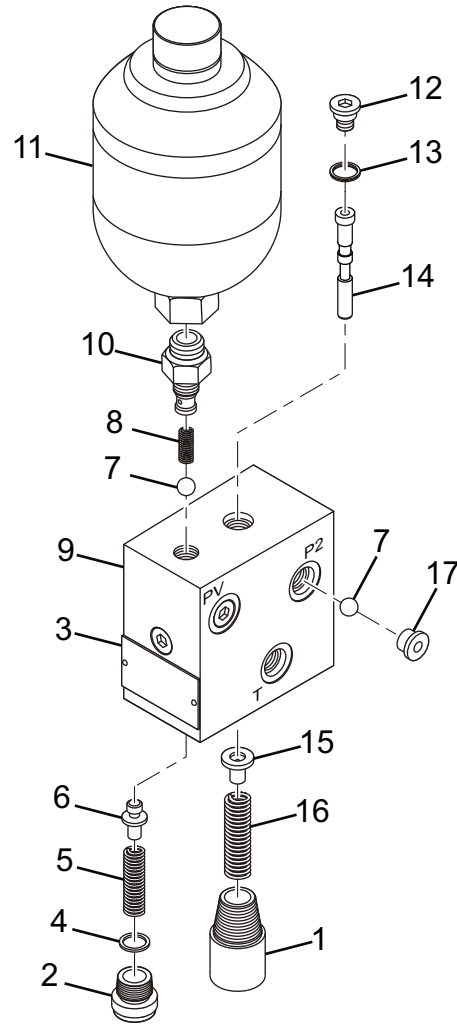
动臂油缸 Lift cylinder (CDM855.07.02)						
Item	Parts number	Chinese Description	English Description	Specification	Qty	Remarks
1	GB/T893	孔用弹性挡圈	Circlip for hole	105	2	
2	JB/T8879-2001	关节轴承	Joint bearing	GE70ES-C3	1	
3	GB/T 308-1989	钢球	Steel ball	S Φ 8	2	
4	ZL50F-720002C	活塞	Piston		1	借用
5	GB/T 77-2000	内六角平端紧定螺钉	Hexagon socket flat end set screw	M12 × 28	1	45H
6		纳污环	Dirt accumulating ring	180 × 172 × 6	1	
7	GB/T 77-2000	内六角平端紧定螺钉	Hexagon socket flat end set screw	M12 × 18	1	45H
8	OK 0180 00701	活塞密封圈	Piston seal ring	180 × 159 × 8	1	派克
9	FR H051 Q5029	支承环	Support ring	175 × 180 × 15	2	派克
10	2-241	O 形圈	O-ring	98.02 × 3.53	1	
11	ZL50F-721000A	缸体	Cylinder body		1	借用
12	CDM50F-720003	活塞杆	Piston rod		1	借用
13	FR A005 Q5029	支承环	Support ring	100 × 105 × 15	2	派克
14	BR 100A 00601	缓冲圈	Bumper ring	100 × 115.5 × 6	1	派克
15	CDM50F-720004	导向套	Guide sleeve		1	
16	2-364	O 形圈	O-ring	170.82 × 5.33	1	

动臂油缸 Lift Cylinder (LG855.07.02)



动臂油缸 Lift cylinder (CDM855.07.02)						
Item	Parts number	Chinese Description	English Description	Specification	Qty	Remarks
17		挡圈	Circlip	180 × 171 × 1.52	1	
18	B3 A015 P5008	活塞杆密封圈	Piston seal ring	100 × 115 × 9	1	派克
19	AF 100A Z5071	防尘圈	Dust ring	100 × 114 × 8	1	派克
20	GB/T5785	螺栓	Bolt	M20 × 1.5 × 55	12	8.8 级
21	GB/T93	垫圈	Washer	20	12	
22	GB/T79-2000	紧定螺钉	Set screw	M10 × 30	1	14H 硬度
23	ZL50F-720005A	拉杆头	Oil suction filer		1	借用
24	GB/T 77-2000	内六角平端紧定螺钉	Hexagon socket flat end set screw	M12 × 10	2	45H

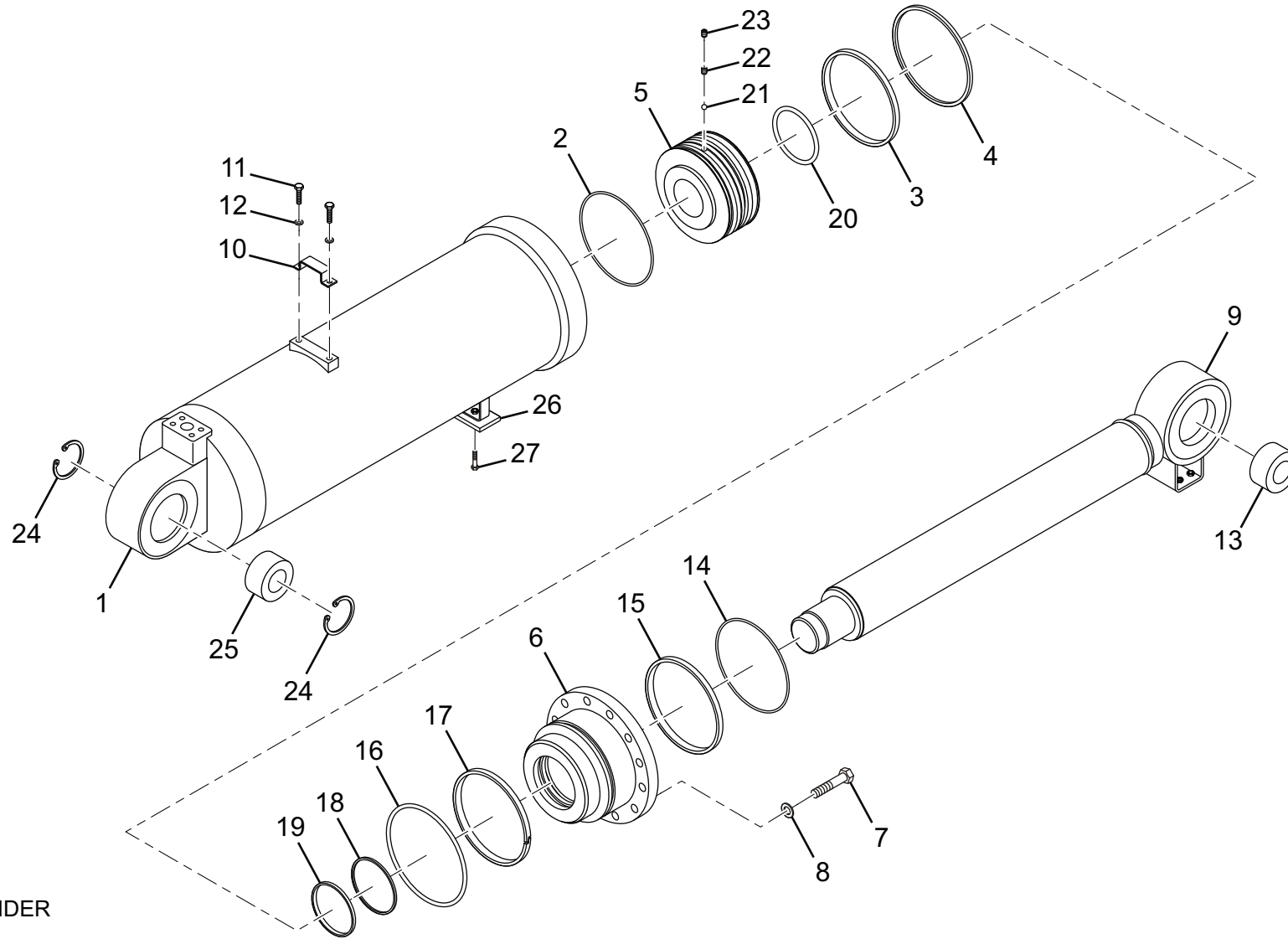
供油阀 Oil supply valve



OIL SUPPLY VALVE

供油阀 Oil supply valve						
Item	Parts number	Chinese Description	English Description	Specification	Qty	Remarks
1	GYF65-001	减压阀弹簧座	Reducing valve spring seat		1	
2	GYF65-002	安全阀弹簧座	Safety valve spring seat		1	
3	GYF65-003	铭牌	Name plate		1	
4	GYF65-004	调整垫圈	Adjusting washer		3	
5	GYF65-005	安全阀弹簧	Safety valve spring		1	
6	GYF65-006	安全阀阀芯	Safety valve spool		1	
7	GB/T308	钢球	Steel ball	Dw8.5	2	
8	GYF65-007	单向阀弹簧	Check valve spring		1	
9	GYF65-008	阀体	Valve body		1	
10	GYF65-009	接头	Connector		1	
11	NXQ-L0.4/10-H	储能器	Accumulator		1	
12	GYF65-010	内六角堵头	Socket head stopper		1	
13	JB/T982	组合密封垫圈	Combined washer	10	4	
14	GYF65-011	减压阀杆	Reducing valve stem		1	
15	GYF65-012	弹簧座	Spring seat		1	
16	GYF65-013	减压阀弹簧	Reducing valve spring		1	
17	GYF65-014	丝堵	Stopper		2	

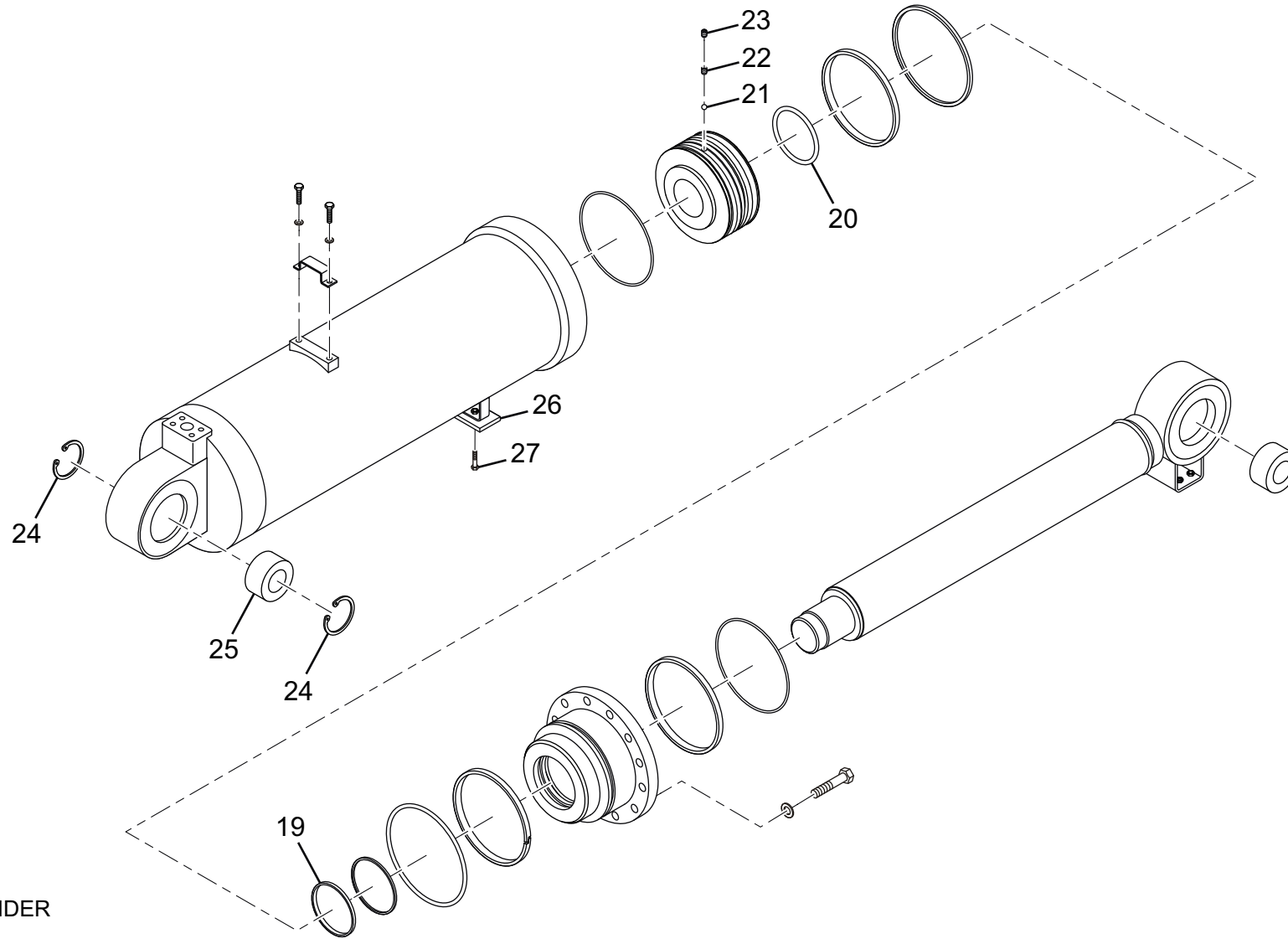
转斗油缸 Tilt cylinder (CDM856E.07 I .10)



TILT CYLINDER

转斗油缸 Tilt cylinder (CDM856E.07 I .10)						
Item	Parts number	Chinese Description	English Description	Specification	Qty	Remarks
1	ZL50F-711000B	缸体	Cylinder body		1	组焊件
2		纳污环	Dirt accumulating ring	160 × 152 × 6	1	PTFE
3	FR K052 Q5029	支承环	Support ring	195 × 200 × 15	2	增强酚醛夹布
4	OK 0200 00701	活塞密封圈	Piston ring	200 × 179 × 8	1	PTFE+NBR
5	ZL50F-710001C	活塞	Piston		1	45
6	CDM50F-710002	导向套	Guide sleeve	QT450-10	1	
7	GB/T5785-2000	螺栓	Bolt	M20 × 1.5 × 55	12	8.8 级
8	GB/T93-87	垫圈	Washer	20	12	65Mn
9	CDM50F-712000	活塞杆	Piston rod		1	焊接件
10	ZL50F-710003A	压块	Press block		1	Q345A
11	GB/T5783-2000	螺栓	Bolt	M8 × 20	2	8.8 级
12	GB/T93-87	垫圈	Washer	8	2	65Mn
13	ZL50F-710004A	轴套	Shaft sleeve		1	40Cr
14	AF 110A Z5071	防尘圈	Dust ring	110 × 126 × 9	1	金属骨架聚胺脂
15	B3 B025 P5008	活塞杆密封圈	Piston seal ring	110 × 125 × 9.6	1	PU
16	2-367	O 形圈	O-ring	Φ189.87 × 5.33	1	NBR80
17		挡圈	Sprag	200 × 191 × 1.52	1	聚四氟乙烯
18	BR 110A 00601	缓冲圈	Bumper ring	110 × 125.5 × 6	1	PTFE+NBR

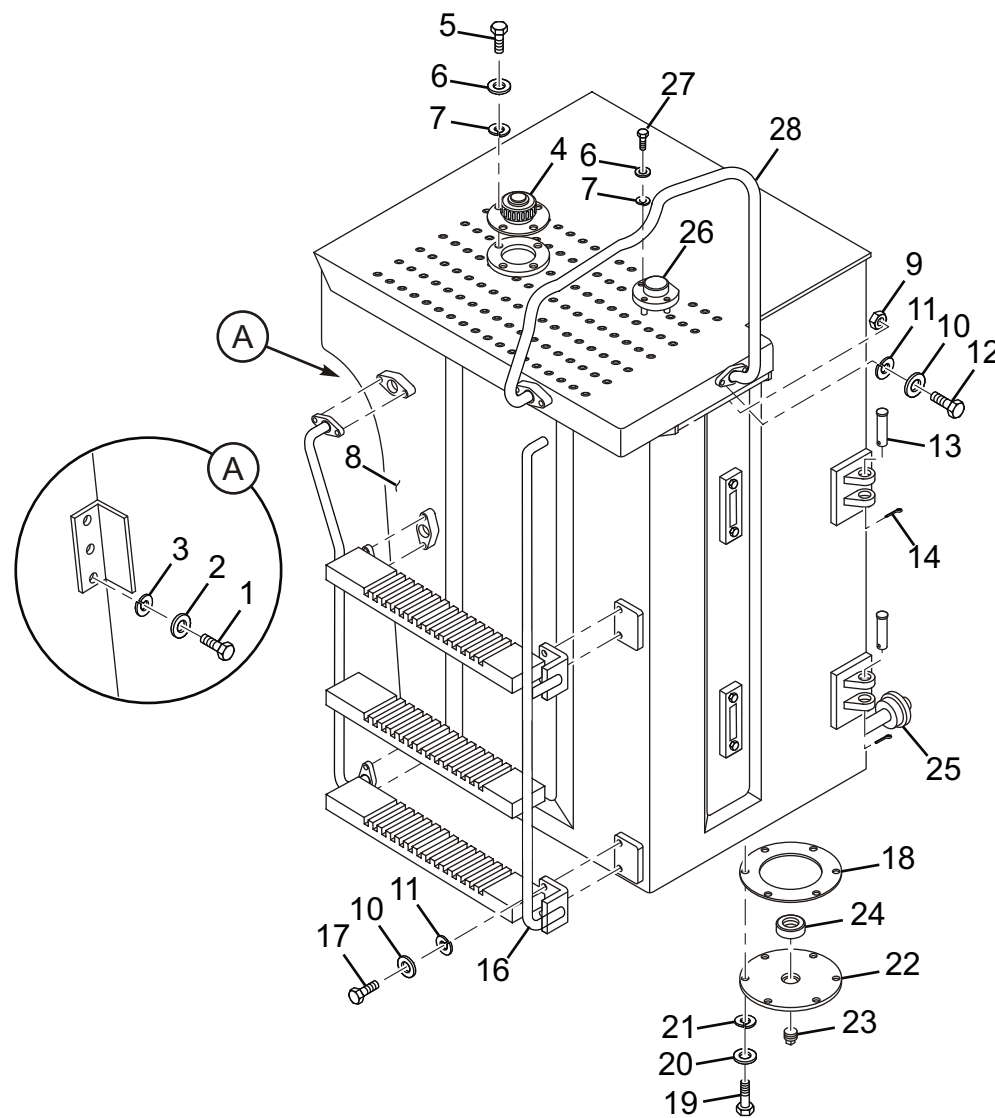
转斗油缸 Tilt cylinder (CDM856E.07 I .10)



TILT CYLINDER

转斗油缸 Tilt cylinder (CDM856E.07 I .10)						
Item	Parts number	Chinese Description	English Description	Specification	Qty	Remarks
19	FR B008 Q5029	支承环	Support ring	110 × 115 × 9.7	2	增强酚醛夹布
20	2-245	O 形圈	O-ring	Φ110.72 × 3.53	1	NBR80
21	GB/T 308-1989	钢球	Steel ball	8	1	
22	GB/T 77-2000	内六角平端紧定螺钉	Hexagon socket flat end set screw	M12 × 44	1	45H
23	GB/T 77-2000	内六角平端紧定螺钉	Hexagon socket flat end set screw	M12 × 10	1	45H
24	GB/T893.1-86	孔用弹性挡圈	Spring sprag	120	2	65Mn
25	JB/T8879-2001	关节轴承	Joint bearing	GE80ES-C3	1	组合件
26	ZL50F-7110005	薄板	Plate		1	尼龙
27	GB/T5783-2000	螺栓	Bolt	M8 × 16	2	8.8

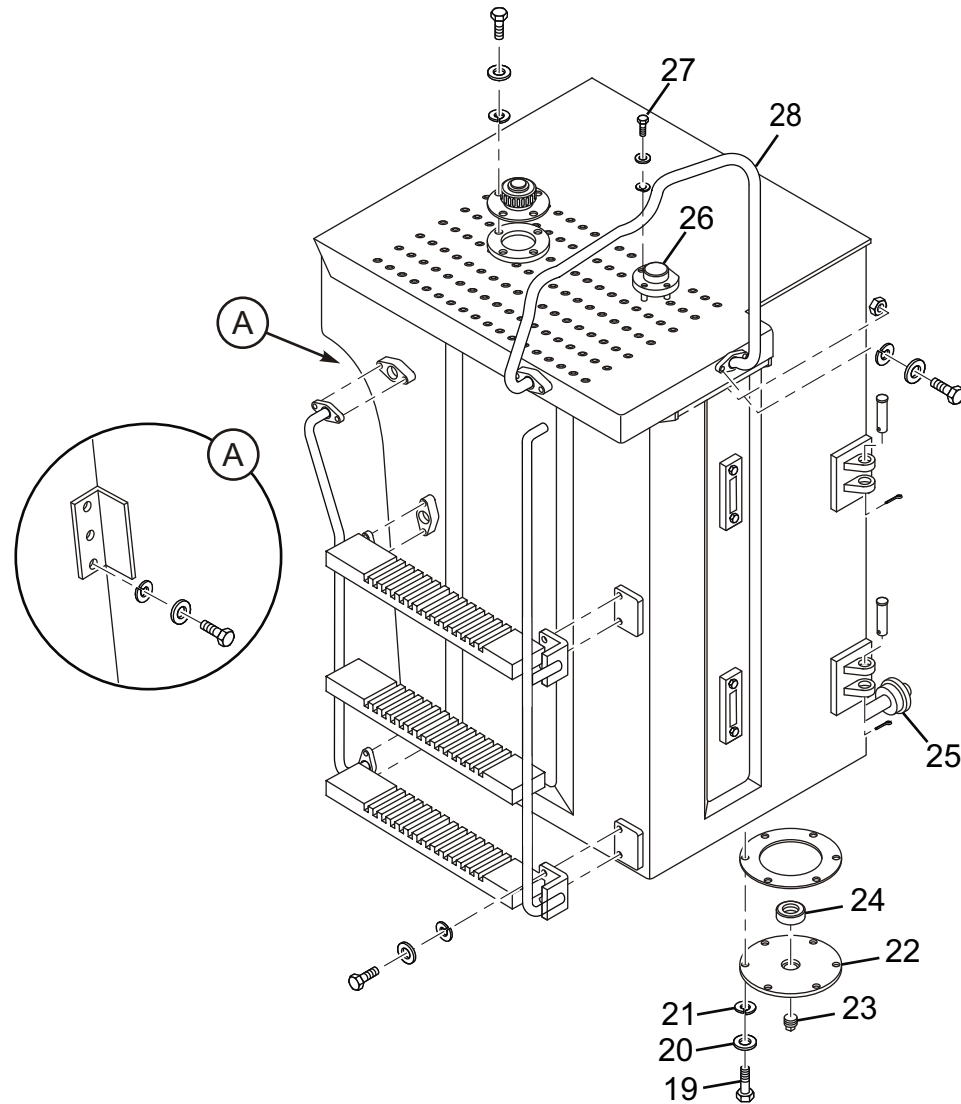
燃油箱总成 Fuel tank assembly (CDM856E.13 II .08)



FUEL TANK ASSEMBLY

燃油箱总成 Fuel tank assembly (CDM856E.13 II .08)						
Item	Parts number	Chinese Description	English Description	Specification	Qty	Remarks
1	GB/T5783	螺栓	Bolt	M16 × 35	3	8.8
2	GB/T97.1	垫圈	Washer	16	3	
3	GB/T93	垫圈	Washer	16	3	
4	LG853.13.08.04	空气滤清器	Air cleaner		1	外购 / 借用
5	GB/T5783	螺栓	Bolt	M8 × 20	4	8.8
6	GB/T93	垫圈	Washer	8	7	
7	GB/T97.1	垫圈	Washer	8	7	
8	CDM856E.13 II .08.01	燃油箱体	Fuel tank body		1	
9	GB/T6170	螺母	Nut	M12	4	8
10	GB/T93	垫圈	Washer	12	12	
11	GB/T97.1	垫圈	Washer	12	16	
12	GB/T5783	螺栓	Bolt	M12 × 40	4	8.8
13	LG855.13.08-001	销轴	Pin		2	借用
14	GB/T91	开口销	cotter pin	4 × 50	2	
15	CDM853.13 II .08.03	长形油标	Oil indicator		2	外购 / 借用
16	CDM856E.13 I .08.02	右爬梯焊合	Right ladder weldment		1	
17	GB/T5783	螺栓	Bolt	M12 × 25	8	8.8
18	LG853.13.08-002	垫片	Gasket		1	外购 / 借用

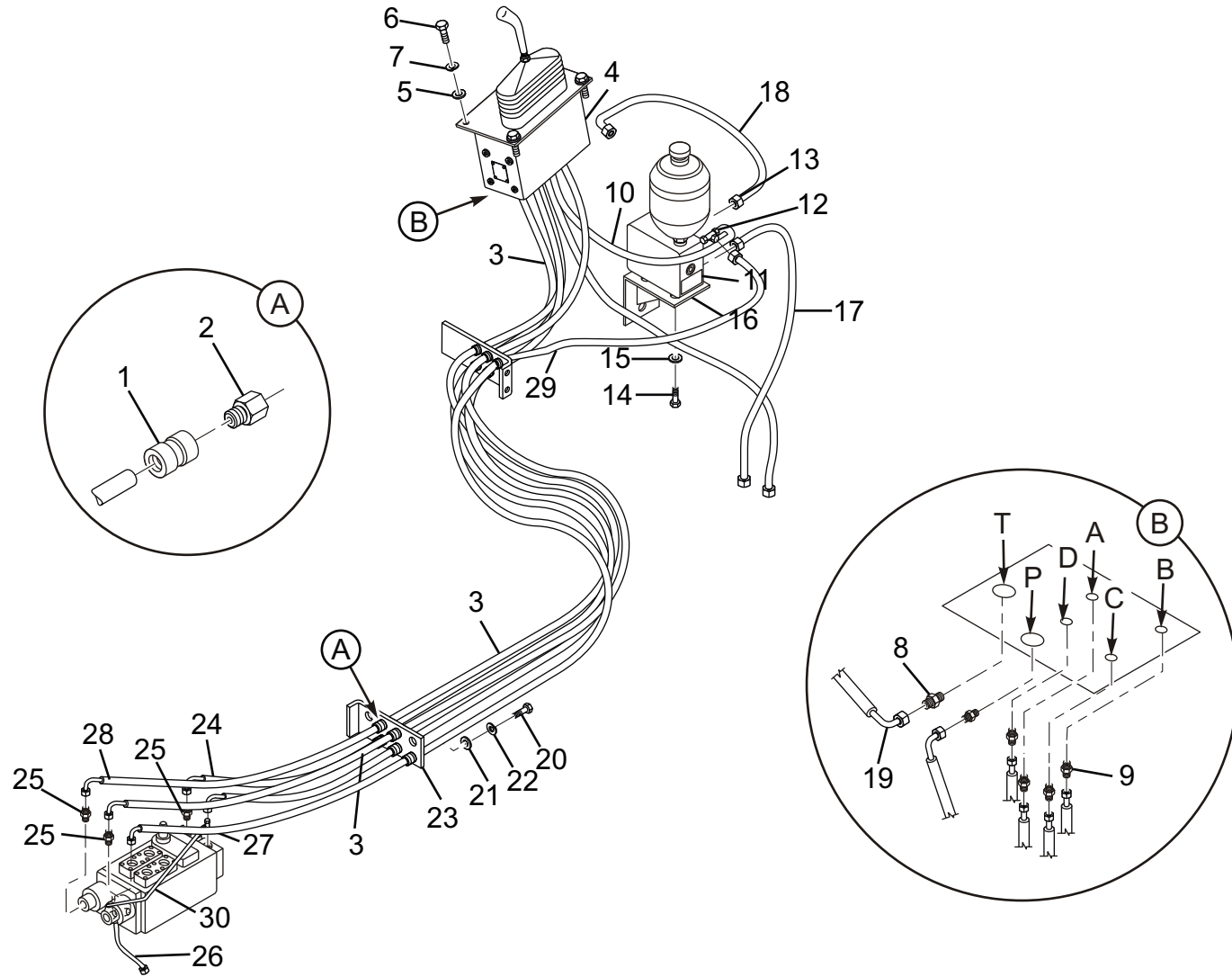
燃油箱总成 Fuel tank assembly (CDM856E.13 II .08)



FUEL TANK ASSEMBLY

燃油箱总成 Fuel tank assembly (CDM856E.13 II .08)						
Item	Parts number	Chinese Description	English Description	Specification	Qty	Remarks
19	GB/T5783	螺栓	Bolt	M10 × 25	6	8.8
20	GB/T93	垫圈	Washer	10	6	
21	GB/T97.1	垫圈	Washer	10	6	
22	LG853.13.08.03	放油盖	Oil drain cover		1	借用
23	LG853.13.08-001	堵头	Stopper		1	借用
24	LG853.13.08-003	磁铁	Magnet	Φ80 × Φ40 × 12	1	外购 / 借用
25	LG853.13.08.02	吸油滤油器总成	Oil suction filter assembly		1	外购 / 借用
26	CDM856E.13 I .08-001	液位计盖板	Level gauge cover		1	
27	GB/T5783	螺栓	Bolt	M8 × 16	3	8.8
28	CDM856E.13 I .08.03	右前扶手上方焊合	Top rotary welding right		1	

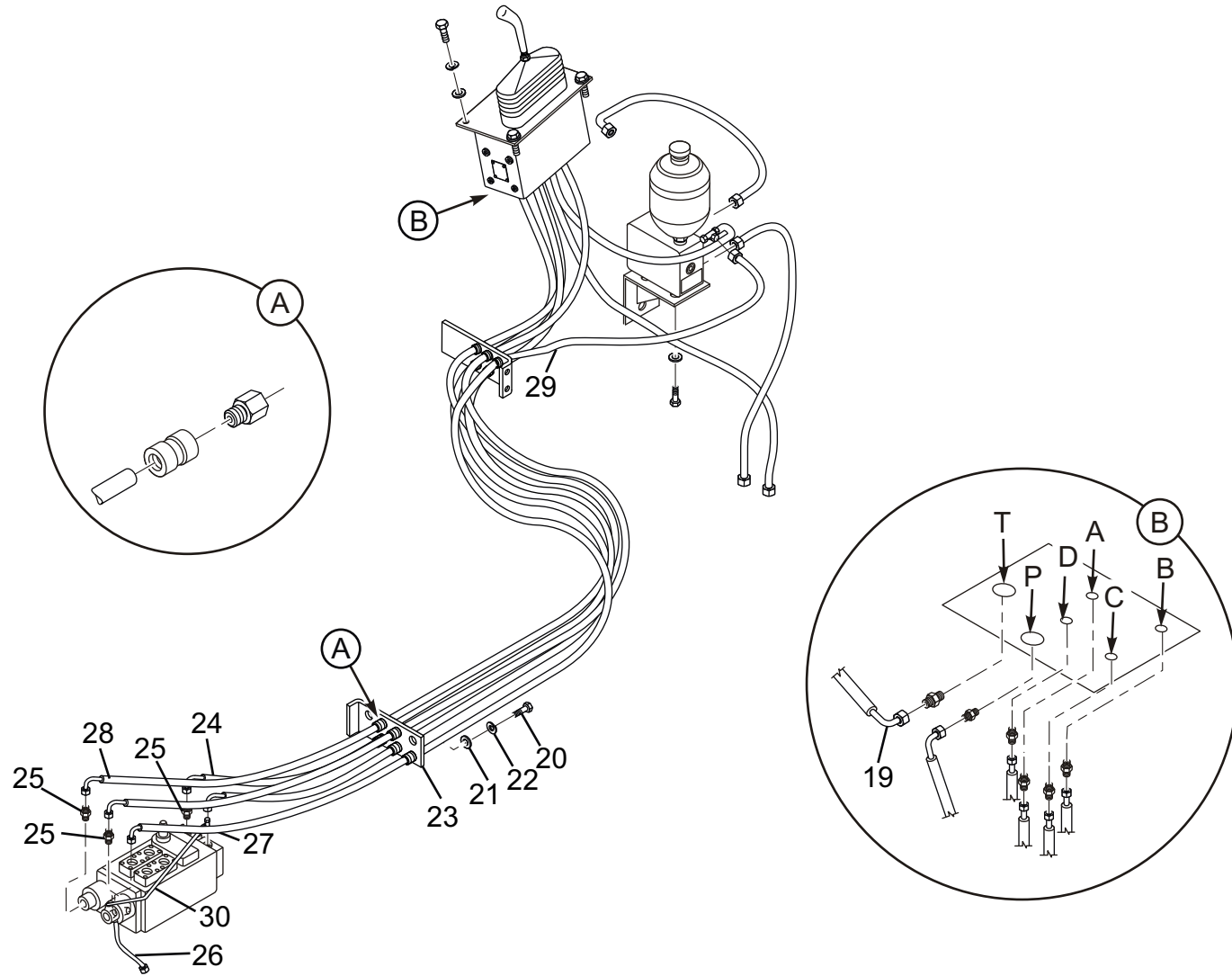
先导操纵系统 Pilot Control System (CDM856E.07 I .11)



PILOT CONTROL SYSTEM

先导操纵系统 Pilot Control System (CDM856E.07 I .11)						
Item	Parts number	Chinese Description	English Description	Specification	Qty	Remarks
1	L6D-16	过板接头	Adapter		10	
2	L8C-16	螺纹锁母	Nut		10	
3	20511-16T*1W05*1152	先导控制胶管	Pilot control hose		10	
4	PCL403	单手柄先导操纵阀	Single handle pilot control valve		1	Parker
5	GB/T97.1-2002	垫圈	Washer	6	8	
6	GB/T818-2000	螺栓	Bolt	M6 × 16	4	8.8
7	GB/T93-1987	垫圈	Washer	6	4	
8	L1CO-20-06GB	端直通接头	Connector		1	
9	L1DO-16-06	端直通接头	Connector		5	
10	90H-H/8/8-I-L1000	供油阀至先导阀胶管	Hose of oil supply valve to pilot control valve	M16 × 1.5	1	
11	LG50EX.07.11.04	供油阀	Oil supply valve		1	WYF65
12	LADDH-16-16-14OG	三通可调向接头	T-Connector		1	
13	L1DH-16-14	端直通接头	Ferrule end straight adapter		2	
14	GB/T5783-2000W	螺栓	Bolt	M8 × 20	5	8.8
15	GB/T93-1987	垫圈	Washer	8	5	
16	LG50EX.07.11.03	供油阀安装支架	Oil supply valve mounting bracket		1	
17	90H-H/8/8-I-L1152	胶管总成	Hose	M16 × 1.5	2	
18	20591-16T*1W05*650/90°	供油阀进油胶管	Oil supply valve oil inlet hose		1	

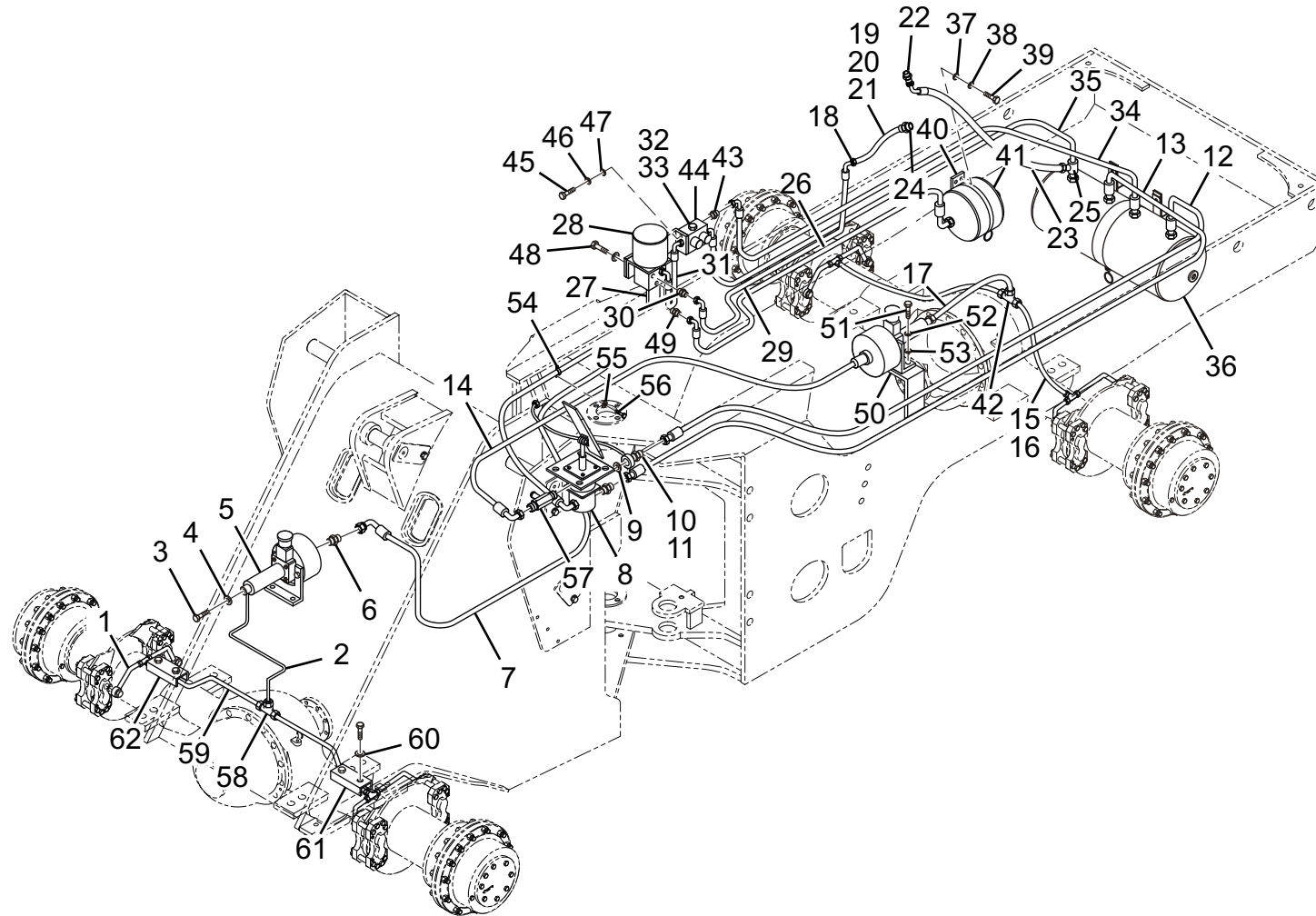
先导操纵系统 Pilot Control System (CDM856E.07 I .11)



PILOT CONTROL SYSTEM

先导操纵系统 Pilot Control System (CDM856E.07 I .11)						
Item	Parts number	Chinese Description	English Description	Specification	Qty	Remarks
19	20411-20TGB*1W08* L1500	先导阀回油胶管	Pilot valve oil return hose		1	
20	GB/T5783-2000	螺栓	Bolt	M10 × 25	4	8.8
21	GB/T97.1-2002	垫圈	Washer	10	4	
22	GB/T93-1987	垫圈	Washer	10	4	
23	LG860.07.11-001	先导控制油管固定板	Pilot control oil pipe securing plate		2	借用
24	20511-16T/20591-16T* 1W05*600	胶管	Hose		2	
25	L1CG-16-04	端直通接头	Connector		6	
26	20511-16T/20591-16T* 1W05*500	胶管	Hose		1	
27	LADDG-16-16-04OG	直路端三通可调向接头	T-connector		1	
28	20511-16T/20591-16T* 1W05*1300	胶管	Hose		1	
29	20511-16T/20591-16T* 1W05*800	供油阀出油胶管	Hose		1	
30	20591-16T*1W05*700/ 270°	浮动控制胶管	Hose		1	

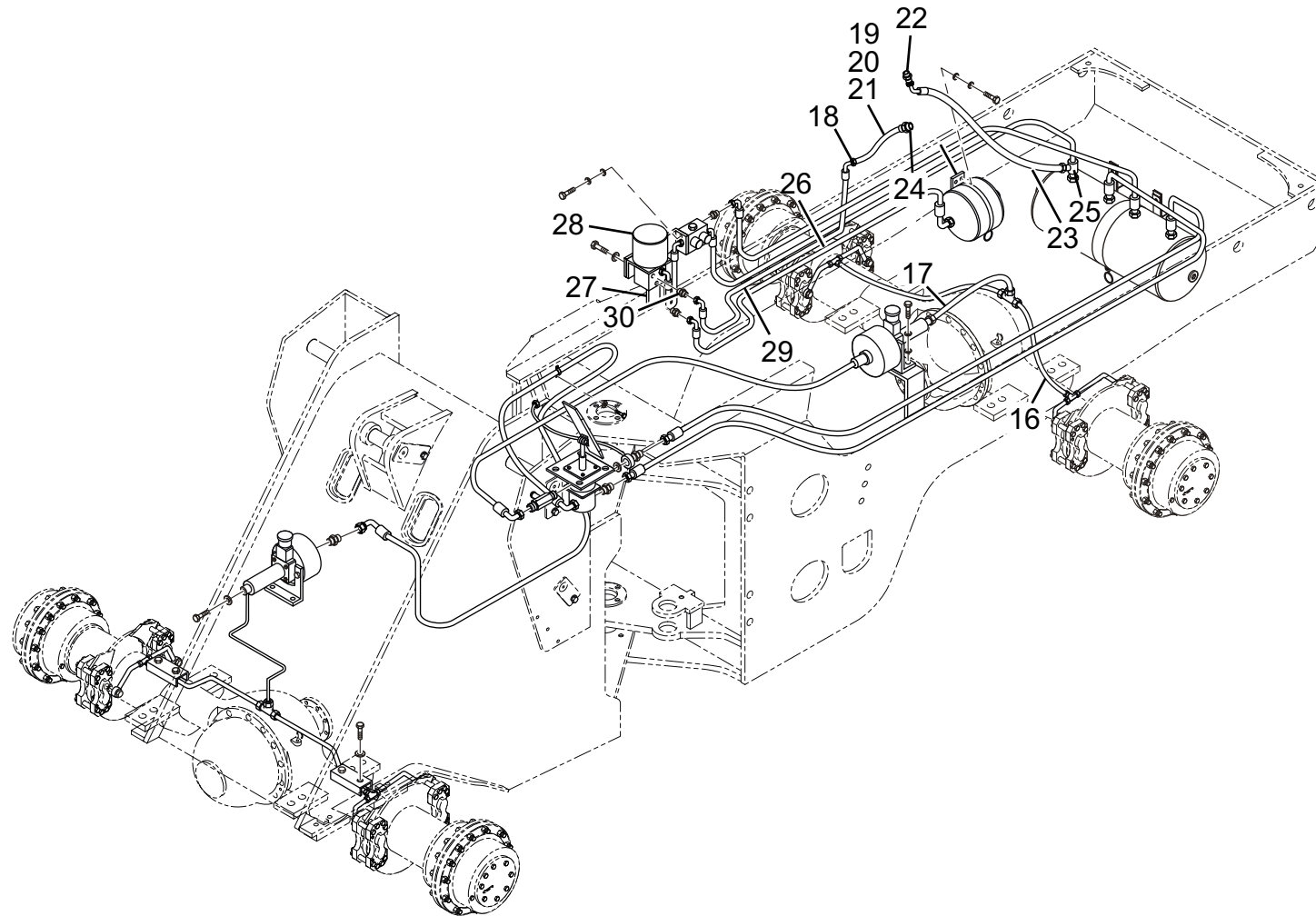
脚制动系统 Service brake system



SERVICE BRAKE SYSTEM

脚制动系统 Service brake system						
Item	Parts number	Chinese Description	English Description	Specification	Qty	Remarks
1	LG853.08.04	进油管	Oil inlet pipe		4	借用
2	LG853.08.03	前加力泵出油管	Front booster pump oil outlet pipe		2	借用
3	LG853.08-004	联接螺栓	Connecting bolt		10	借用
4	LG853.08-005	垫圈	Washer		11	借用
5	LG856.08.02	加力泵	Booster pump		2	外购 HP3.5-90
6	LG853.08-013	接头	Connector		10	借用
7	90C-C/8 I -L=3200	制动阀至前加力泵胶管	Hose from brake valve to front booster pump		1	外购
8	LG856.08.07	双腔气制动阀	Dual-chamber air brake valve		1	外购 HP3514B
9	JB/T966-2005	垫圈	Washer	22	13	
10	LG853.08-006	进气接头	Air inlet connection		1	借用
11	LG853.08-007	测压接头座	Pressure connector seat		1	借用
12	C/8 I -L=3600	制动阀至右储气筒胶管	Hose from brake valve to right air tank		1	外购
13	C/8 I -L=3300	制动阀至左储气筒胶管	Hose from brake valve to left air tank		1	外购
14	90C-C/8 I -L=1400	制动阀至后加力泵胶管	Hose from brake valve to rear booster pump		1	外购
15	LG853.08.14	后桥油管	Rear axle oil pipe		1	借用

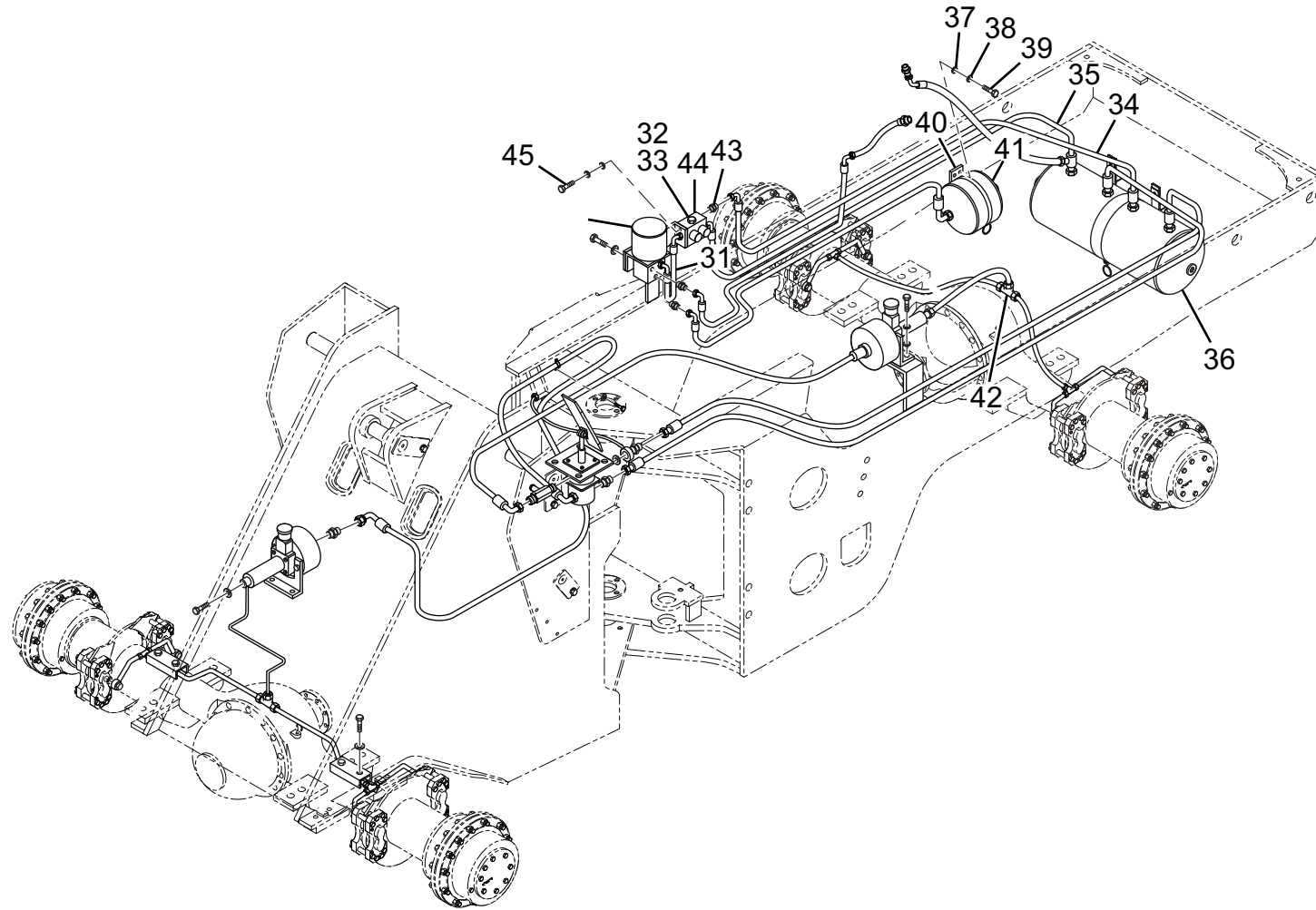
脚制动系统 Service brake system



SERVICE BRAKE SYSTEM

脚制动系统 Service brake system						
Item	Parts number	Chinese Description	English Description	Specification	Qty	Remarks
16	LG853.08.06	后桥油管	Rear axle oil pipe		1	借用
17	LG853.08.11	制动软管	Brake hose		1	外购
18	L1Q-18	接头	Connector		1	8.8
19	JB/T8870-1999	喉箍	Hoop	Φ 12-32	1	
20	CDM856E.08 I -003	钢管固定板			1	
21	CDM856E.08 I .02	空压机出气钢管			1	
22	L1QN9-16-02	接头	Connector		1	
23	20791-16T/20711-16T*	储气筒反馈胶管			1	
	JS05*1400				1	
24	CDM856E.08 I .01	过渡接头	Connector		1	外购
25	LCQ-16	接头	Connector			
26	20791-16T*1W05*	干燥器至反冲气筒胶管	Hose from drier to recoil air tank		1	外购
	1600/90 °					
27	LG856.08.06	干燥器支架	Drier bracket		1	借用
28	LG856.08.05	干燥器	Drier		1	外购 HP3511
29	20791-18T*JS05*	空压机至干燥器钢丝软	Wired hose from compressor to drier		1	外购
	L1600/270 °	管				
30	LG856B.08-002	接头	Connector		1	借用

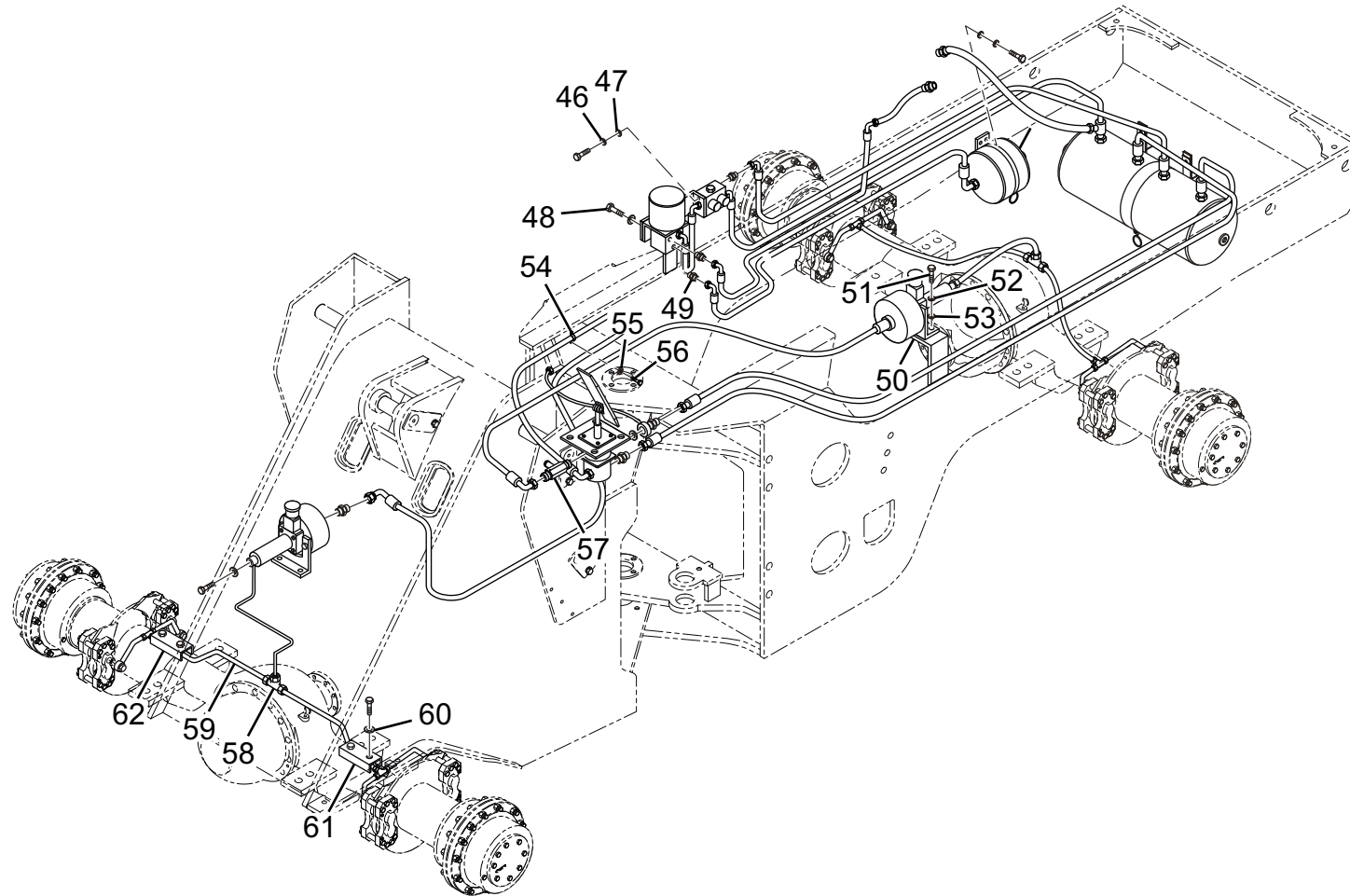
脚制动系统 Service brake system



SERVICE BRAKE SYSTEM

脚制动系统 Service brake system						
Item	Parts number	Chinese Description	English Description	Specification	Qty	Remarks
31	90C-90°-90C/8 I -L=450	干燥器至保护阀胶管	Hose from drier to protective valve		1	外购
32	LG856.08-004	堵头	Plug		1	借用
33	JB/T966-2005	铜垫	Copper pad	16	3	
34	90C-C/8 I -L=2000+RC	保护阀至左气筒胶管	Hose from protective valve to left air tank		1	外购
35	90C-C/8 I -L=1800+RC	保护阀至右气筒胶管	Hose from protective valve to right air tank		1	外购
36	LG856.08.01	储气筒总成	Air tank system		1	借用
37	GB/T97.1-2002	垫圈	Washer	10	6	
38	GB/T93-1987	垫圈	Washer	10	6	
39	GB/T5783-2000	螺栓	Bolt	M10 × 20	6	8.8
40	LG856.08-005	反充气筒固定板	Anti-inflatable tank fixed plate		1	借用
41	LG856.08.03	反冲储气筒	Anti-inflatable tank		1	外购 HP-3511CB-18
42	LG853.08-014	后桥油路三通接头	Rear axle oil channel T connector		1	借用
43	LG856.08-001	四回路保护阀出气接头	Four circuit protection valve air outlet connector		2	借用
44	LG856.08.04	四回路保护阀	Four circuit protection valve		1	外购 HP3518
45	GB/T5783-2000	螺栓	Bolt	M8 × 20	11	8.8

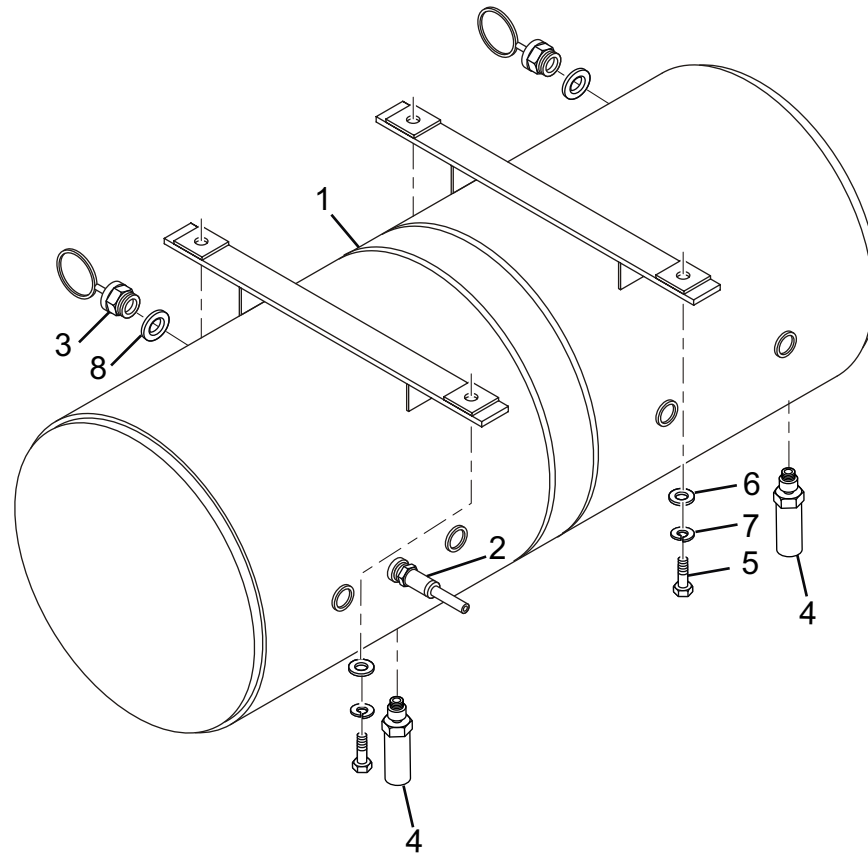
脚制动系统 Service brake system



SERVICE BRAKE SYSTEM

脚制动系统 Service brake system						
Item	Parts number	Chinese Description	English Description	Specification	Qty	Remarks
46	GB/T93-1987	垫圈	Washer	8	11	
47	GB/T97.1-2002	垫圈	Washer	8	5	
48	GB/T5786-2000	螺栓	Bolt	M12 × 1.5 × 30	3	8.8
49	LG853.08-001	接头	Connector		4	借用
50	LG855.08.01	后加力泵支座	Rear booster pump support		1	借用
51	GB/T5783-2000	螺栓	Bolt	M12 × 30	4	8.8
52	GB/T93-1987	垫圈	Washer	12	7	
53	GB/T97.1-2002	垫圈	Washer	12	7	
54	LG853.01-005	管夹	Pipe clamp		3	借用
55	GB/T93-1987	垫圈	Washer	6	3	
56	GB/T5783-2000	螺栓	Bolt	M6 × 16	3	8.8
57	LG853.08-008	制动灯开关三通接头	Brake lamp switch T-connector		1	借用
58	LG853.08-012	前桥油路三通接头	Front axle oil channel T-connector		1	借用
59	LG853.08.05	前桥油管	Front axle oil pipe		2	借用
60	GB/T97.1-2002	垫圈	Washer	6	4	
61	LG853.08-016	护板	Guide plate		1	借用
62	LG853.08-015	护板	Guide plate		1	借用

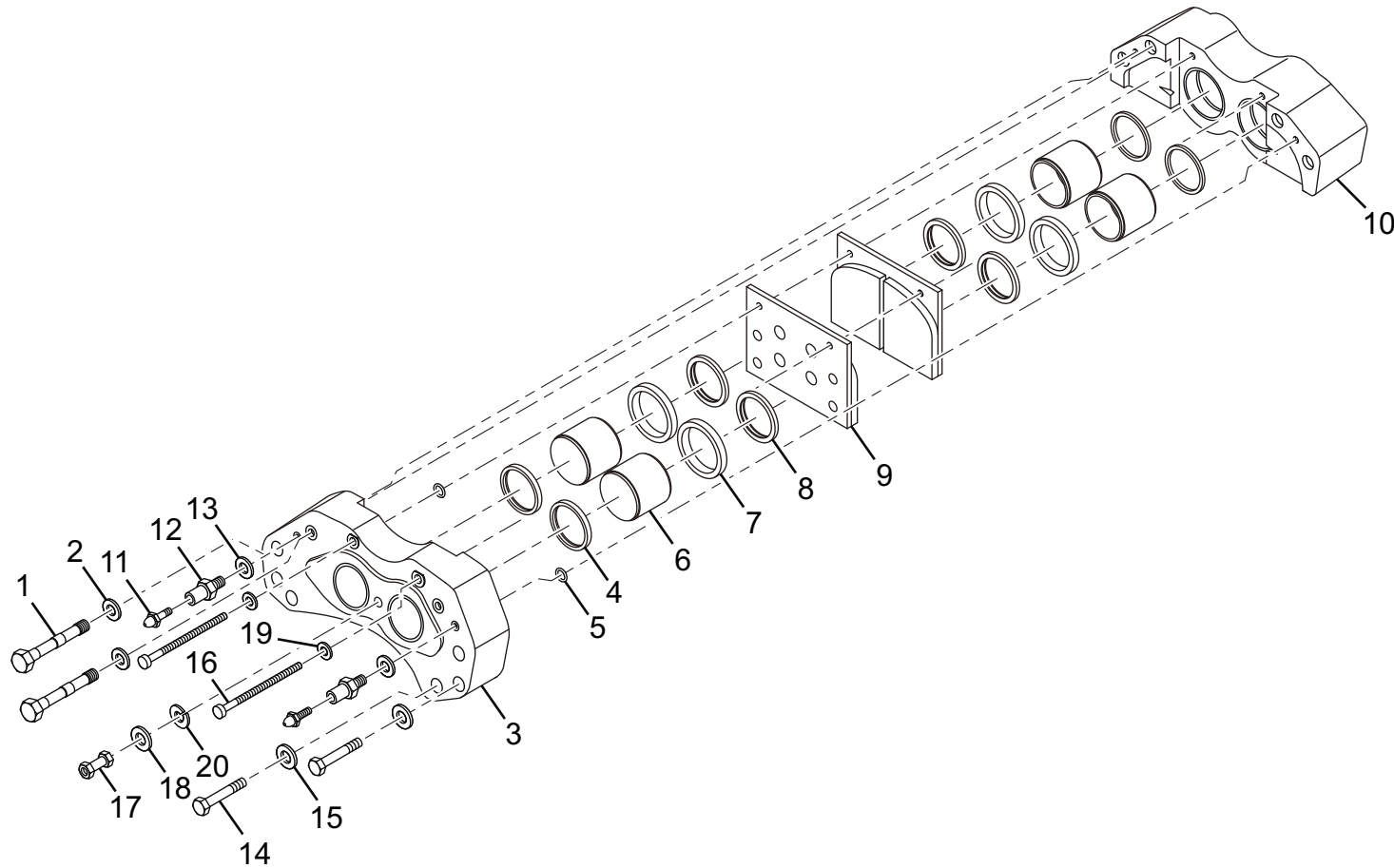
储气筒总成 Air tank assembly



AIR TANK ASSEMBLY

储气筒总成 Air tank assembly						
Item	Parts number	Chinese Description	English Description	Specification	Qty	Remarks
1	LG856.08.01.01	储气筒	Air tank		1	
2	LG853.08.01.02	充气阀	Inflation valve		1	原为 408409
3	LG853.08.01.03	放水阀	Water drain valve		2	外购 / 原为 MQP-3553
4	LG853.08.01.04	安全阀	Safety valve		3	外购 / 原为 JN150-35011030
5	GB/T5783	螺栓	Bolt	M12 × 35	4	8.8
6	GB/T97.1	垫圈	Washer	12	4	
7	GB/T93	垫圈	Washer	12	4	
8	JB1002	垫圈	Washer	22	2	

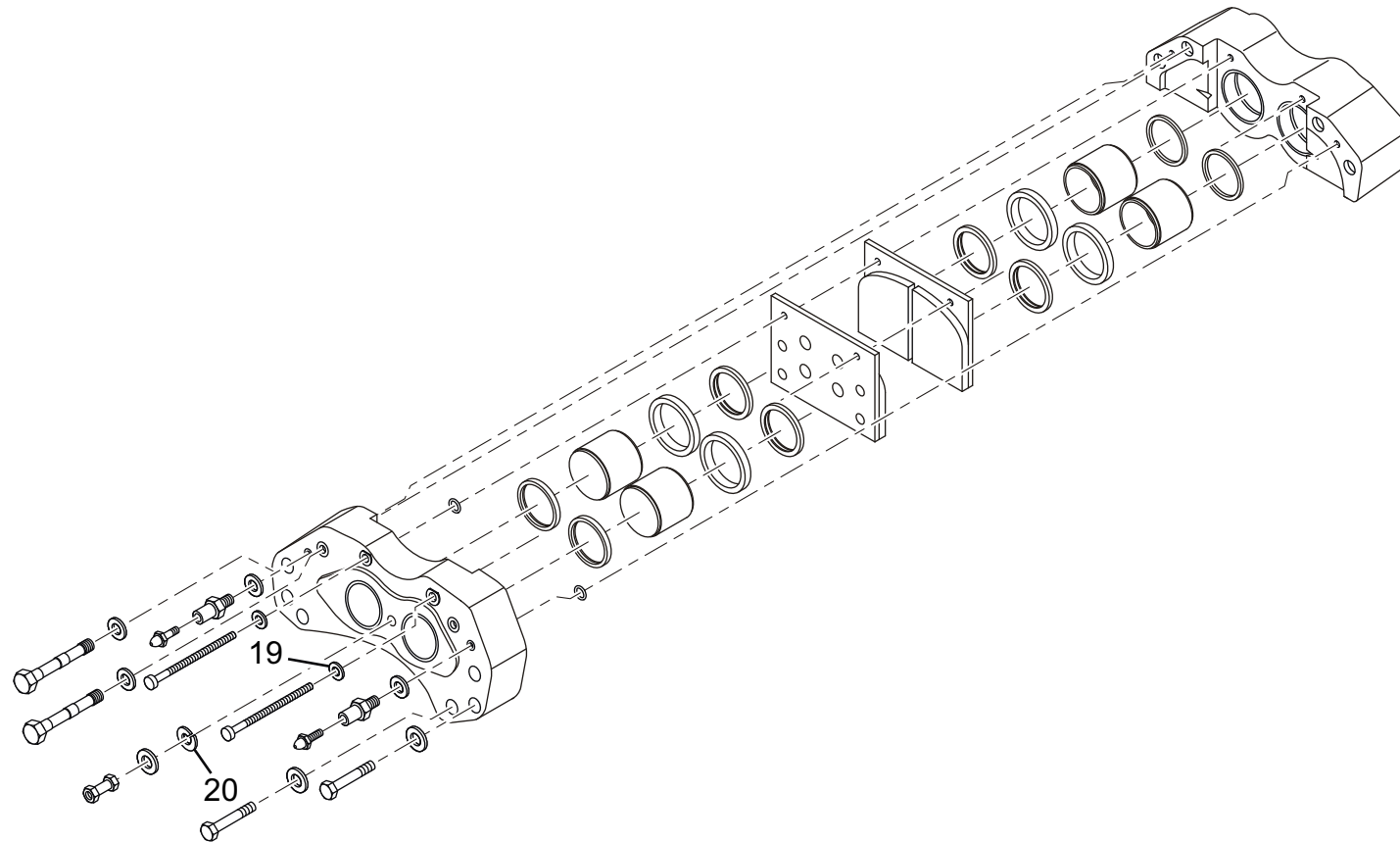
盘式制动器 Disc brake



DISC BRAKE

盘式制动器 Disc brake						
Item	Parts number	Chinese Description	English Description	Specification	Qty	Remarks
1	408121	螺栓	Bolt	M22	4	
2	GB93-76	垫圈	Washer	22	4	
3	408105-106	内钳	Inner caliper		1	
4	408112	矩形密封圈	Rectangle seal ring		4	
5	GB1235-76	O 型圈	O-ring	$\Phi 20 \times 2.4$	2	
6	408113	活塞	Piston		4	
7	408110	防尘罩	Dust hood		4	
8	408111	卡圈	Snap ring		4	
9	408107-108	制动片	Brake piece		2	
10	408107-109	外钳	Outer caliper		1	
11	408103	放气嘴	Air bleeder		2	
12	408104	接头	Connector		2	
13	408124	垫圈	Washer	$M20 \times 1.5 \times 56$	2	
14	408120	螺栓	Bolt	20	4	
15	GB93-76	垫圈	Washer		4	
16	408114	螺栓销	Bolt pin		2	
17	408101	管接头	Pipe connector		1	
18	408115	垫圈	Washer		1	

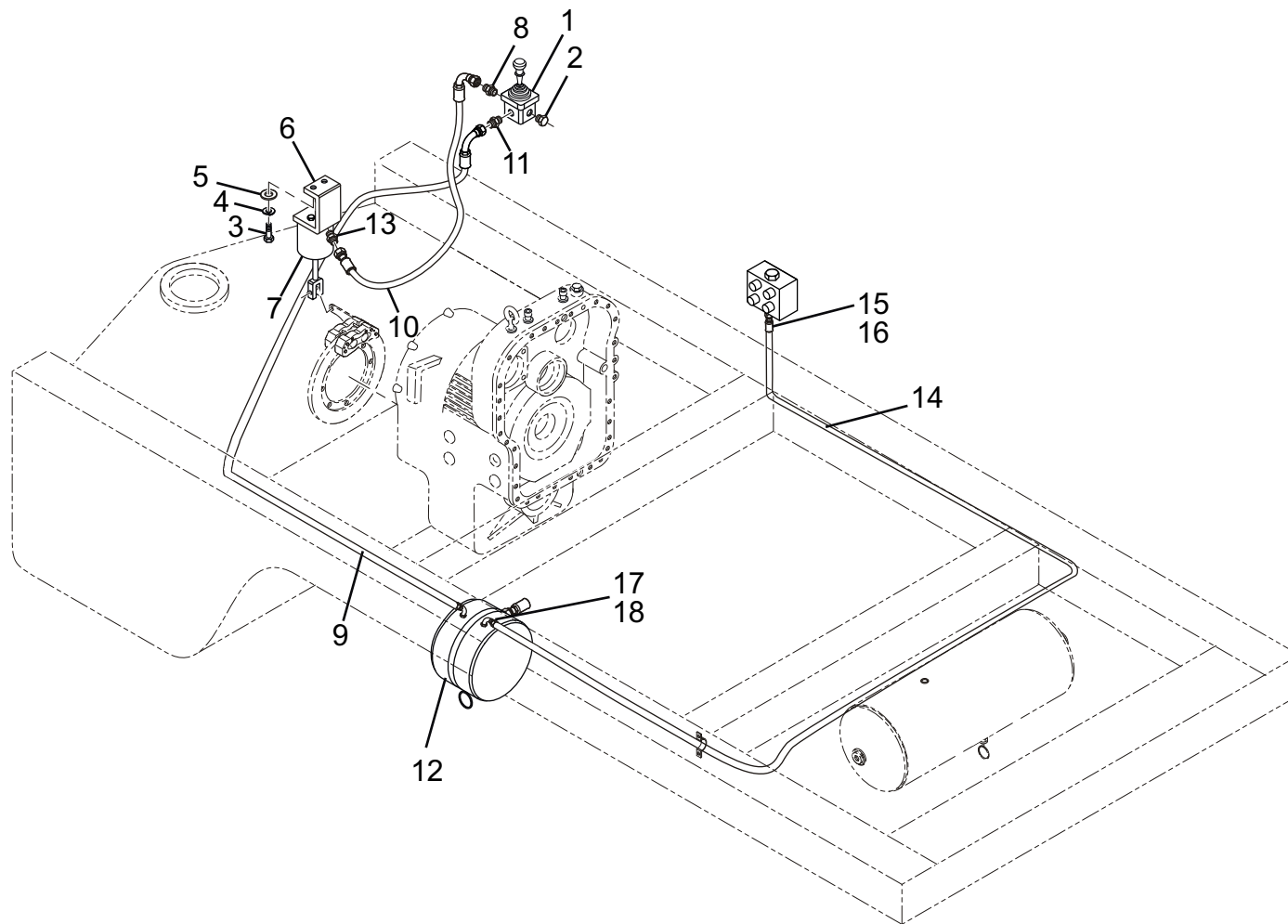
盘式制动器 Disc brake



DISC BRAKE

盘式制动器 Disc brake						
Item	Parts number	Chinese Description	English Description	Specification	Qty	Remarks
19	GB93-76	垫圈	Washer	10	2	
20	408102	垫圈	Washer		8	

应急及驻车制动系统 Emergency And Parking Brake System

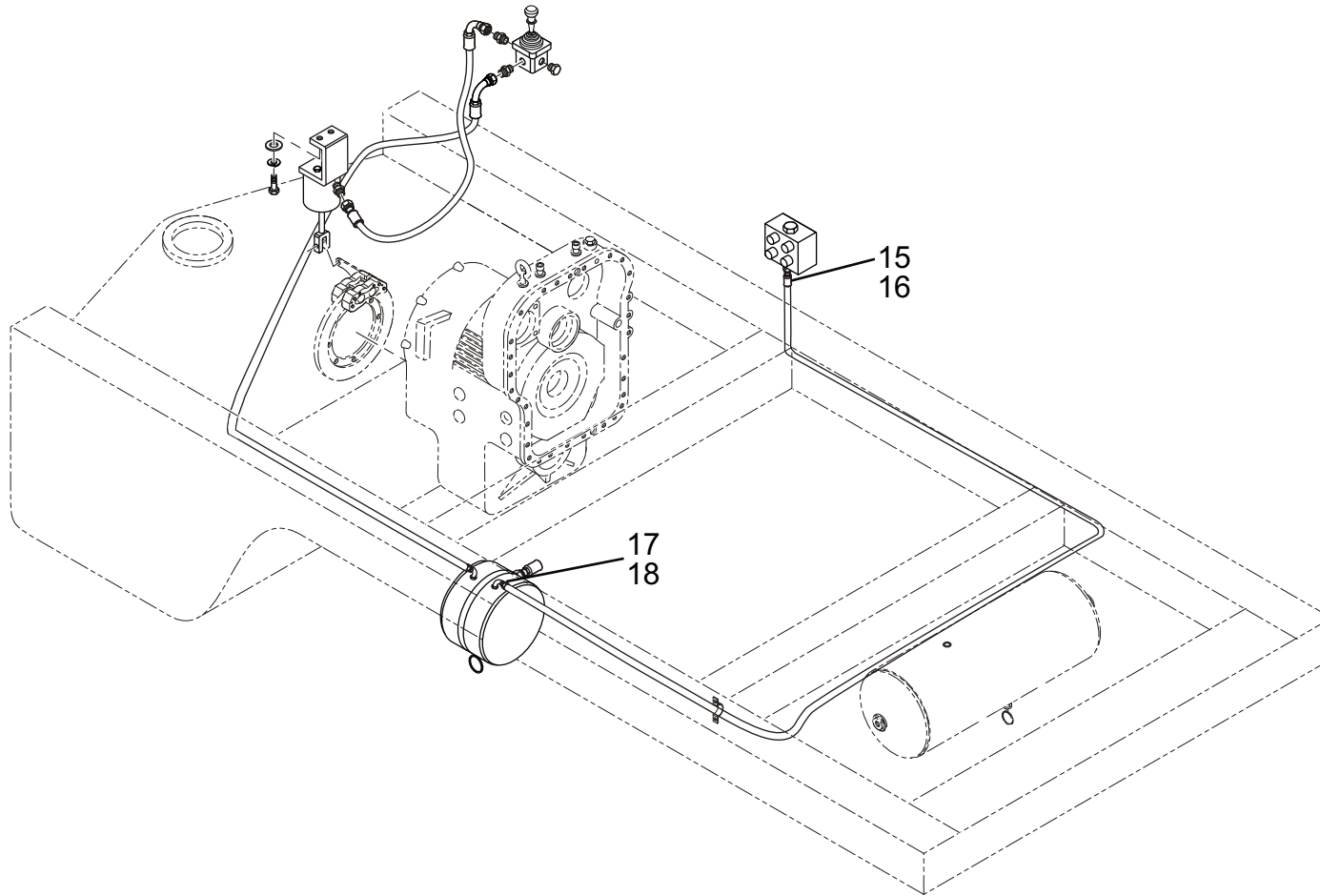


EMERGENCY AND PARKING BRAKE SYSTEM

应急及驻车制动系统 Emergency And Parking Brake System

Item	Parts number	Chinese Description	English Description	Specification	Qty	Remarks
1	LG856.09.02	手控制动阀	Manual control brake valve		1	外购
2	LG856.09-001	堵头			1	外购
3	GB/T5783	螺栓	Bolt	M16 × 45	2	
4	GB/T93	垫圈	Washer	16	2	
5	GB/T97.1	垫片	Gasket	16	2	
6	LG50EX.09.04	驻车制动气室固定座	Parking brake chamber securing bracket		1	
7	LG50EX.09.02	驻车制动气室	Parking brake chamber		1	外购
8	LG50EX.09-001	手控制动阀出气接头	Manual brake valve outlet connector		1	
9	C/8I-L=3200	手制动气筒至手控阀胶管	Hose from parking brake air tank to manual valve		1	外购
10	90C-C/8I-L=1800	手控制动阀至驻车制动气室软管	Hose from manual brake valve to parking brake chamber		1	外购
11	LG50EX.09-002	手控制动阀进气接头	Manual brake valve inlet connector		1	
12	LG856.09.01	驻车制动储气筒总成	Parking brake air tank assembly		1	
13	LG50EX.09-003	切断气缸进气接头	Cutoff cylinder inlet connector		1	
14	C/8I-L=3400	四回路保护阀至手制动气筒胶管	Hose from four-loop protective valve to parking brake air tank		1	

应急及驻车制动系统 Emergency And Parking Brake System

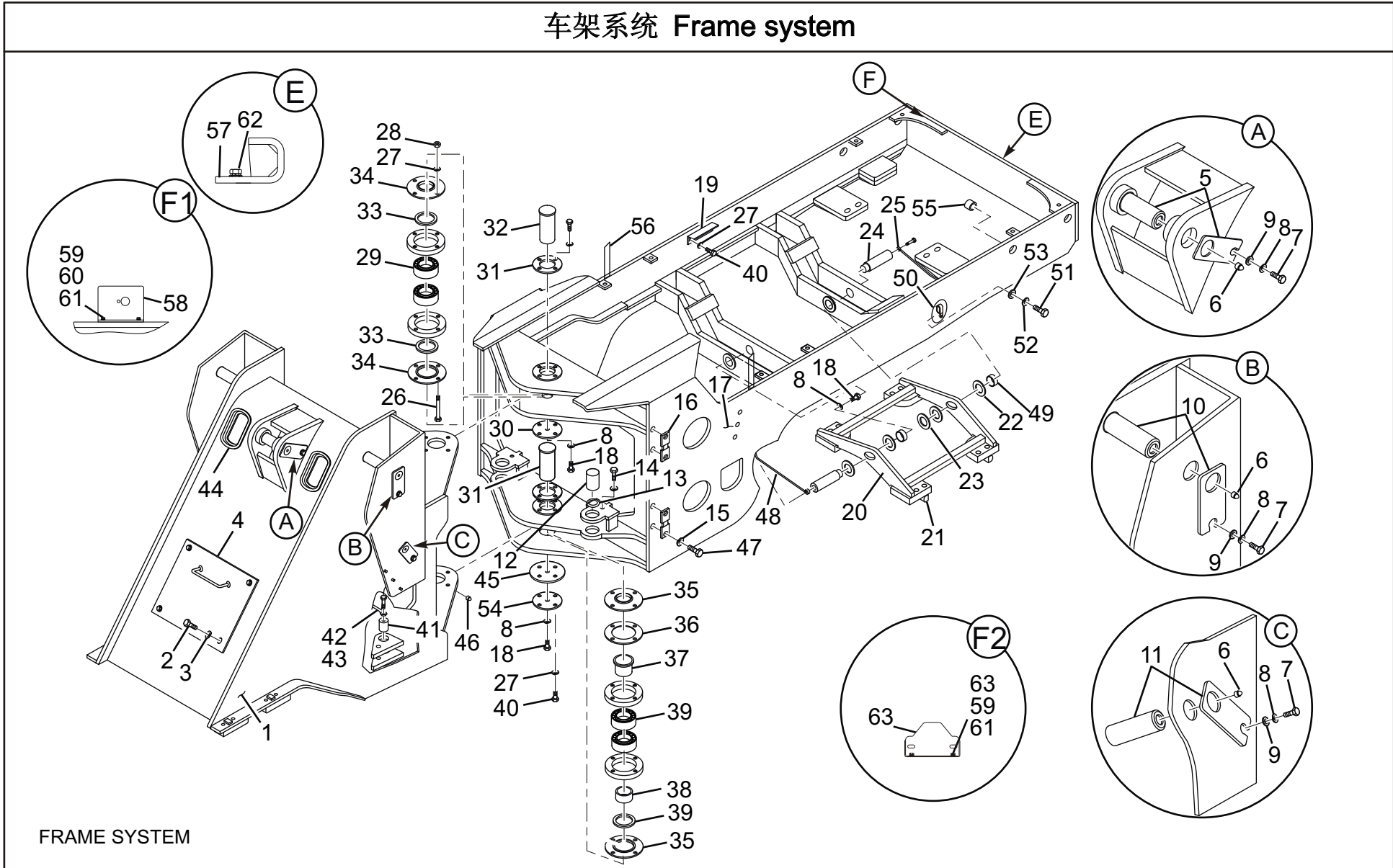


EMERGENCY AND PARKING BRAKE SYSTEM

应急及驻车制动系统 Emergency And Parking Brake System

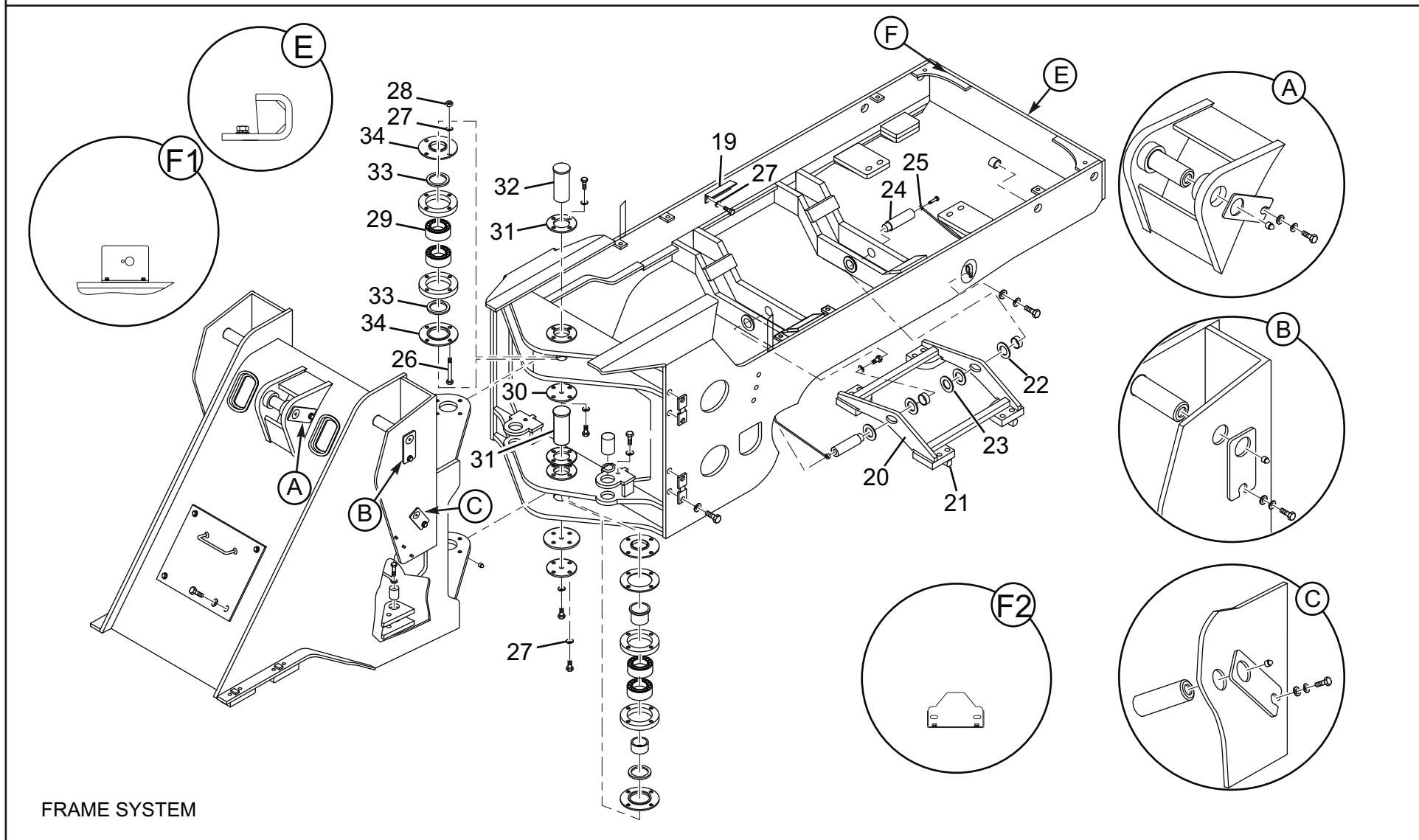
Item	Parts number	Chinese Description	English Description	Specification	Qty	Remarks
15	LG856.08-001	四回路保护阀出气接头	Four-loop protective valve vent connector		1	
16	JB1002	垫圈	Washer	16	1	
17	LG853.08-013	接头	Connector		2	
18	JB1002	垫圈	Washer	22	2	

车架系统 Frame system



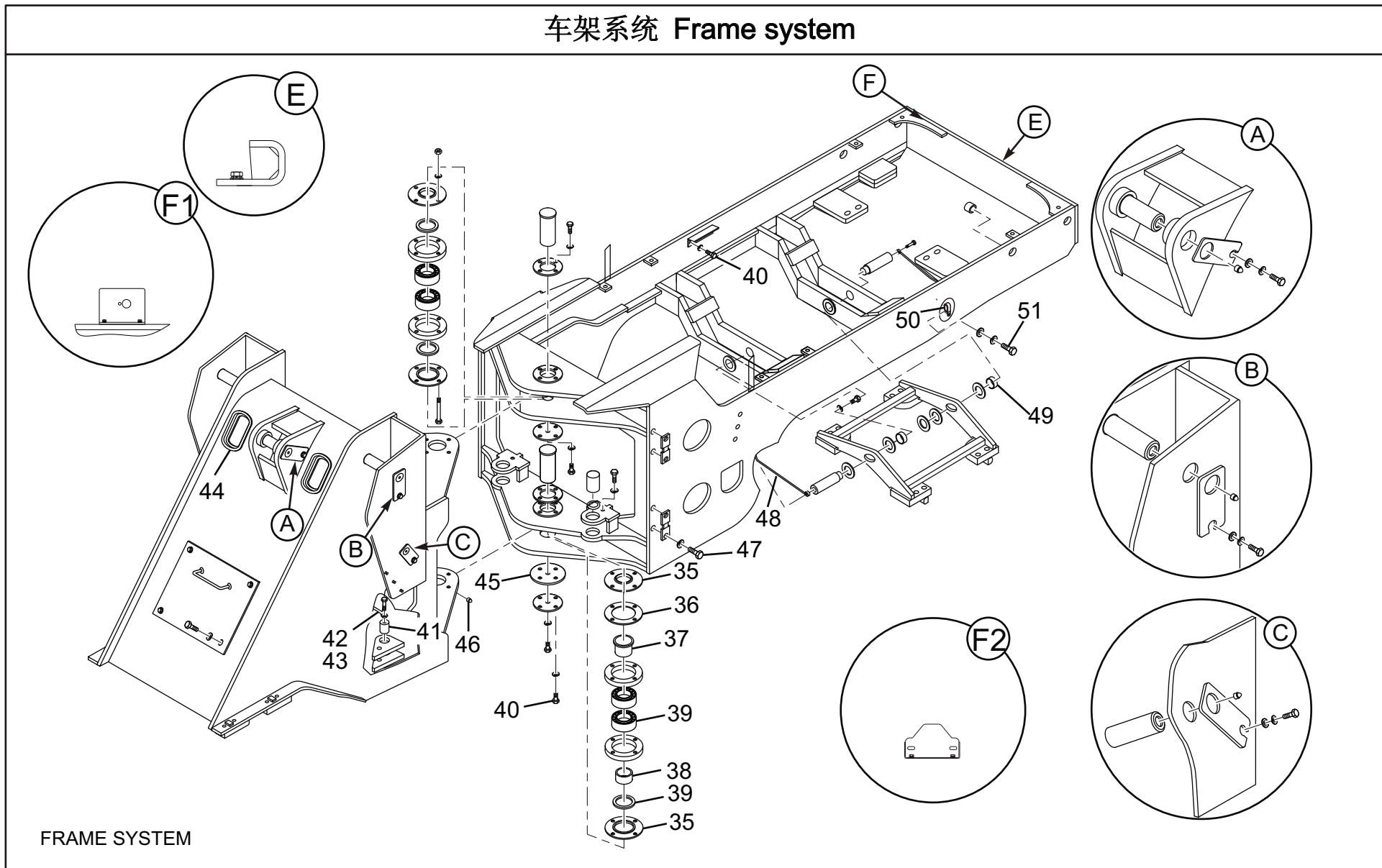
车架系统 Frame system						
Item	Parts number	Chinese Description	English Description	Specification	Qty	Remarks
1	CDM856E.10 I .01	前车架	Front frame		1	
2	GB/T5783	螺栓	Bolt	M10 × 20	4	8.8
3	GB/T93	垫圈	Washer	10	6	65Mn
4	CDM856E.10 I .05	盖板总成	Cover board assembly		1	
5	LG853.10.03	翻斗缸后销轴焊合	Tilt cylinder rear pin weldment		1	借用
6	JB/T7940.1	油杯	Oil cup	M10 × 1	11	原为 GB/T1152
7	GB/T5783	螺栓	Bolt	M20 × 40	5	8.8
8	GB/T93	垫圈	Washer	20	9	65Mn
9	GB/T97.1	垫圈	Washer	20	7	200HV
10	LG855.10.05	动臂上销轴焊合	Lift arm upper pin weldment		2	原为 LG50F.10005-005A
11	LG855.10.06	动臂缸后销轴焊合	Lift cylinder rear pin weldment		2	原为 LG50F.10005-008A
12	LG855.10.07	后转向销轴焊合	Rear steering pin weldment		2	借用
13	LG855.10-002	转向缸后垫套	Rear sleeve for steering cylinder		2	借用
14	GB/T5783	螺栓	Bolt	M16 × 35	4	8.8
15	GB/T93	垫圈	Washer	16	12	
16	LG855.10.08	油箱固定座	Oil tank securing seat		2	借用
17	CDM856D.10.02	后车架	Rear frame		1	
18	GB/T5783	螺栓	Bolt	M20 × 35	4	8.8

车架系统 Frame system



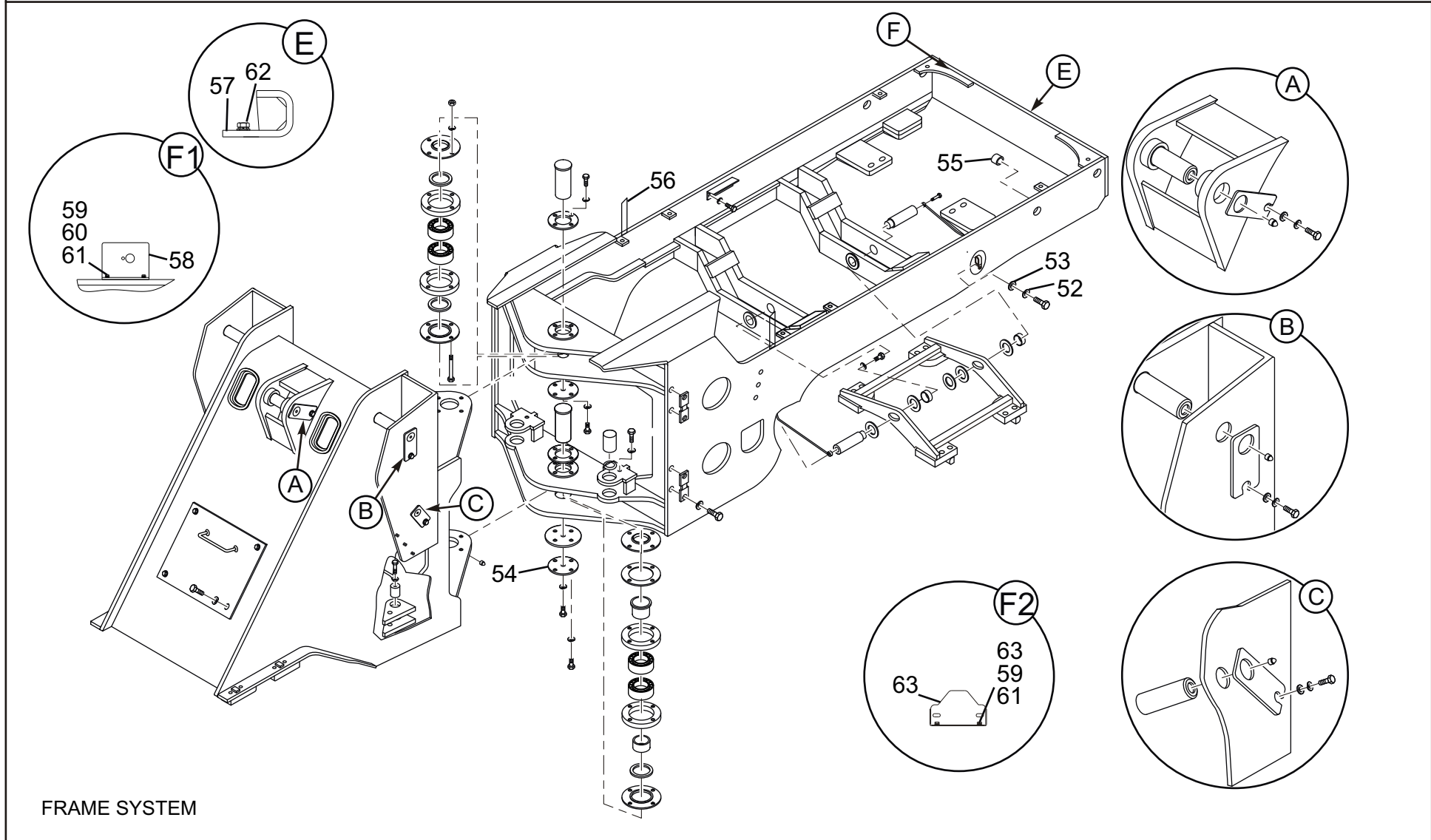
车架系统 Frame system						
Item	Parts number	Chinese Description	English Description	Specification	Qty	Remarks
19	LG855.10-003	双变滤清器支架	Filter screen		1	借用
20	LG855.10.03	副车架	Sub-frame		1	借用
21	LG853.10-018	挡块	Block		8	借用
22	LG855.10-004	铜垫	Copper gasket		2	借用
23	LG855.10-008	副车架调整垫	Oscillating suspension adjusting shim		1	借用
24	LG855.10.09	副车架销	Oscillating suspension pin		2	借用
25	LG855.10.10	副车架注油管 I	Oscillating suspension oil filling pipe I		1	借用
26	GB/T5782	螺栓	Bolt	M12 × 110	8	8.8
27	GB/T93	垫圈	Washer	12	22	
28	GB/T6170	螺母	Nut	M12	8	8
29	GB/T297	轴承	Bearing	32215	4	原为 GB297-84 7515E
30	LG853.10-008	端盖	End cover		1	借用
31	LG853.10-007	铰接销	Articulated pin		2	借用
32	LG853.10-006	压板	Press plate		2	借用
33	GB/T13871.1	FB形油封	FB-type oil seal	75 × 100 × 12	2	
34	LG853.10-005	上轴承盖	Upper bearing cover		2	借用

车架系统 Frame system



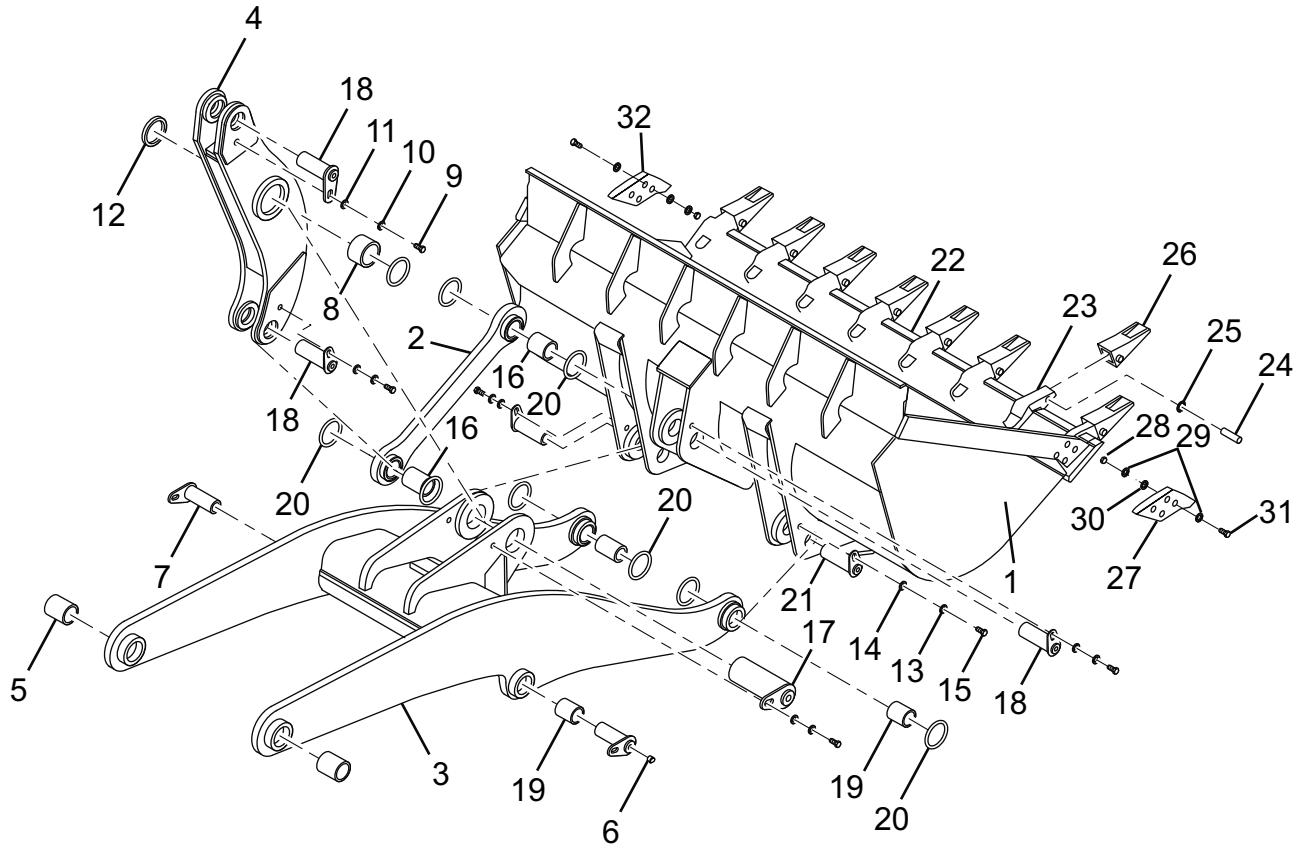
车架系统 Frame system						
Item	Parts number	Chinese Description	English Description	Specification	Qty	Remarks
35	LG853.10-004	下轴承盖	Lower bearing cover		2	借用
36	LG853.10-003	调整垫	Adjusting shim		2	借用 / 单位: 组
37	LG853.10-001	上轴套	Upper shaft sleeve		1	借用
38	LG853.10-002	下轴套	Lower shaft sleeve		1	借用
39	GB/T13871.1	FB形油封	FB-type oil seal	85 × 110 × 12	2	
40	GB/T5783	螺栓	Bolt	M12 × 30	14	8.8
41	LG855.10.11	前转向销轴焊合	Front steering pin weldment		2	借用
42	LG855.10.12	右前转向销注油管	Right front steering pin oil filling pipe		1	借用
43	LG855.10.13	左前转向销注油管	Left front steering pin oil filling pipe		1	借用 / 与 LG855.10.12 共图
44	LG853.10-021	胶管保护套	Hose sleeve		2	借用
45	LG855.10-006	调整垫圈	Adjusting washer		1	借用 / 单位: 组
46	JB/T7940.2	油杯	Oil cup	M10 × 1	2	原为 GB/T1153
47	GB/T5783	螺栓	Bolt	M16 × 50	4	8.8
48	LG855.10.14	副车架注油管 2	Oscillating suspension oil filling pipe 2		1	借用
49	LG855.10-007	副车架销轴套	Oscillating suspension pin sleeve		2	借用
50	LG853.10-023	线夹	Wire clip		1	借用
51	GB/T5783	螺栓	Bolt	M8 × 20	1	8.8

车架系统 Frame system



车架系统 Frame system						
Item	Parts number	Chinese Description	English Description	Specification	Qty	Remarks
52	GB/T93	垫圈	Washer		8	1
53	GB/T97.1	垫圈	Washer		8	1
54	LG853.10-022	下端盖	Lower end cover			1 借用
55	CDM858A.10 I -001	后车架橡胶护套	Rubber bush of rear frame			4 借用
56	CDM856E.10 I -001	盖护板支架	Baffle			2
57	CDM856E.10 I .06	机罩门锁支架	Hood gate lock support			1
58	CDM856E.10 I -002	电源总开关固定板	Power switch ledger plate			1
59	GB/T5783-2000	螺栓	Bolt	M6 × 25		4 8.8
60	GB/T97.1-2002	垫圈	Washer		6	2
61	GB/T93-1987	垫圈	Washer		6	2
62	GB/T5783	螺栓	Bolt	M10 × 30		6 8.8
63	CDM856E.10 I -003	蜂鸣器安装板	Buzzer plate			1

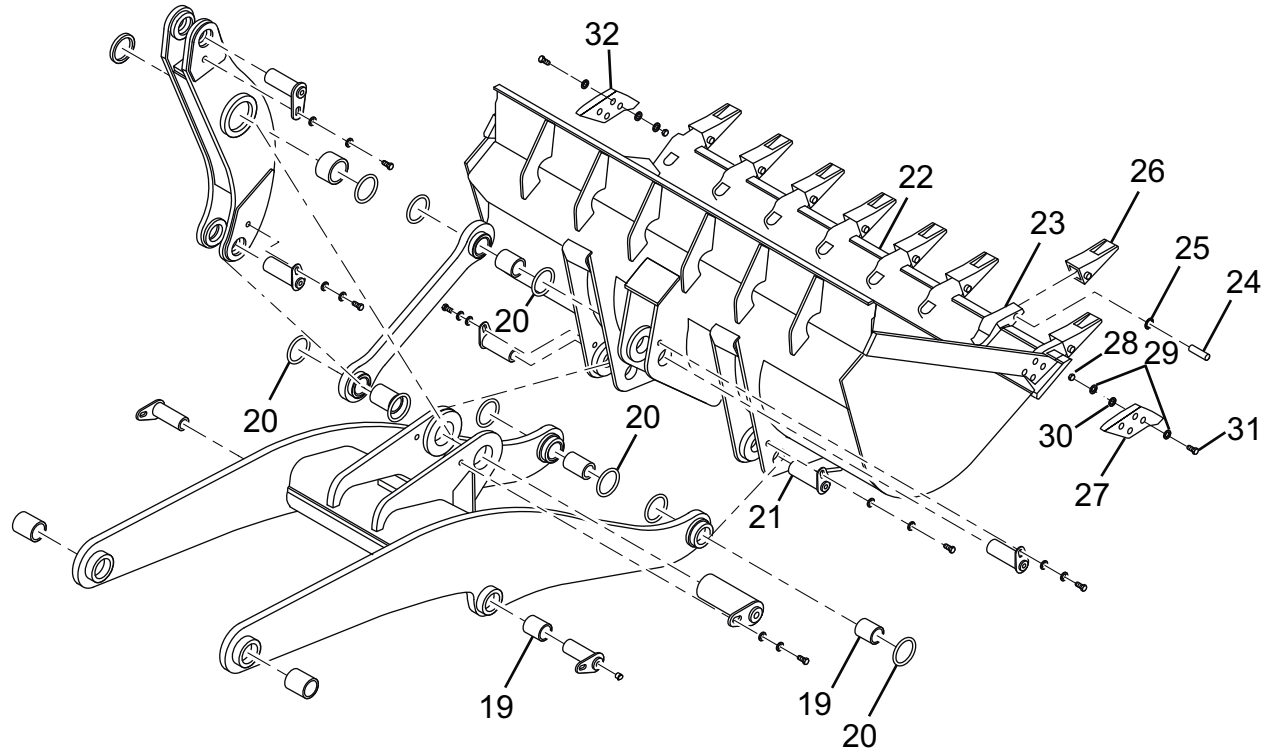
工作装置系统 Implement system



IMPLEMENT SYSTEM

工作装置系统 Implement system						
Item	Parts number	Chinese Description	English Description	Specification	Qty	Remarks
1	LG855.11 IV .01	铲斗	Bucket		1	借用
2	LG853.11.02	拉杆	Pull rod		1	借用
3	CDM856E.11 I .03	动臂	Lift arm		1	
4	LG853.11.04	摇臂	Tilt arm		1	借用
5	LG853.11-001	动臂上轴套	Lift arm upper shaft sleeve	40cr	2	借用
6	JB/T7940.1-1995	油杯	Oil cup	M10 × 1	8	
7	LG855.11.05	动臂缸上销轴焊合	Lift cylinder upper pin weldment		2	借用
8	LG853.11-002	摇臂中轴套	Tilt arm middle shaft sleeve	40cr	2	借用
9	GB/T5783	螺栓	Bolt	M24 × 40	1	8.8
10	GB/T93	垫圈	Washer	24	1	
11	GB/T97.1	垫圈	Washer	24	1	
12	GB9877.1-88(B 型)	油封	Oil seal	120 × 150 × 12	2	
13	GB/T93	垫圈	Washer	20	7	
14	GB/T97.1	垫圈	Washer	20	7	
15	GB/T5783	螺栓	Bolt	M20 × 40	7	8.8
16	LG853.11-004	拉杆轴套	Pull rod shaft sleeve	40cr	2	借用
17	LG853.11.06	摇臂中销轴焊合	Tilt arm middle pin weldment		1	借用
18	LG853.11.07	铲斗上销轴焊合	Bucket upper pin weldment		3	借用

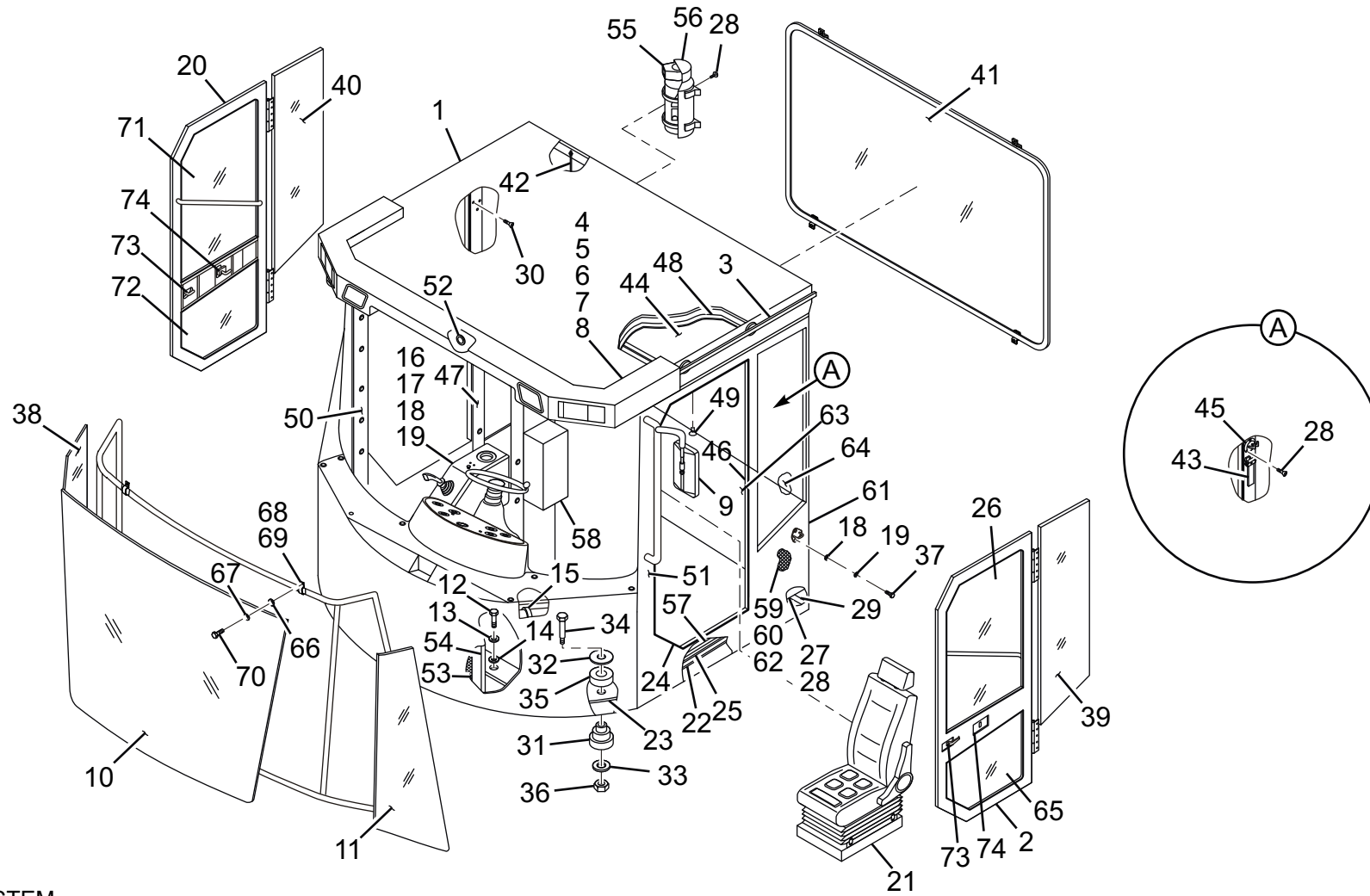
工作装置系统 Implement system



IMPLEMENT SYSTEM

工作装置系统 Implement system						
Item	Parts number	Chinese Description	English Description	Specification	Qty	Remarks
19	LG853.11-003	动臂下轴套	Lift arm lower shaft sleeve	40cr	4	借用
20	LG853.11-005	O 型密封圈	O-ring		8	借用
21	LG853.11.08	铲斗下销轴焊合	Bucket lower pin weldment		2	借用
22	LG855.11 III .01-001	主刀板	Main cutting board		1	借用
23	LG855.11 III .01-016	齿座	Toothholder		10	借用
24	LG855.11 III .01-024	销	Pin		10	借用
25	LG855.11 III .01-025	挡圈	Sprag		10	借用
26	LG855.11 III .01-026	齿套	Tooth sleeve		10	借用
27	LG855K.11.01-015	右侧切削刃	Right cutting lip		1	借用
28	GB/T802-1988	螺母	Nut	M24	8	10
29	GB/T97.1-2002	垫圈	Washer	24	16	
30	GB/T93-1987	垫圈	Washer	24	8	
31	GB/T5782-2000	螺栓	Bolt	M24× 60	8	10.9
32	LG855K.11.01-002	左侧切削刃	Left cutting lip		1	

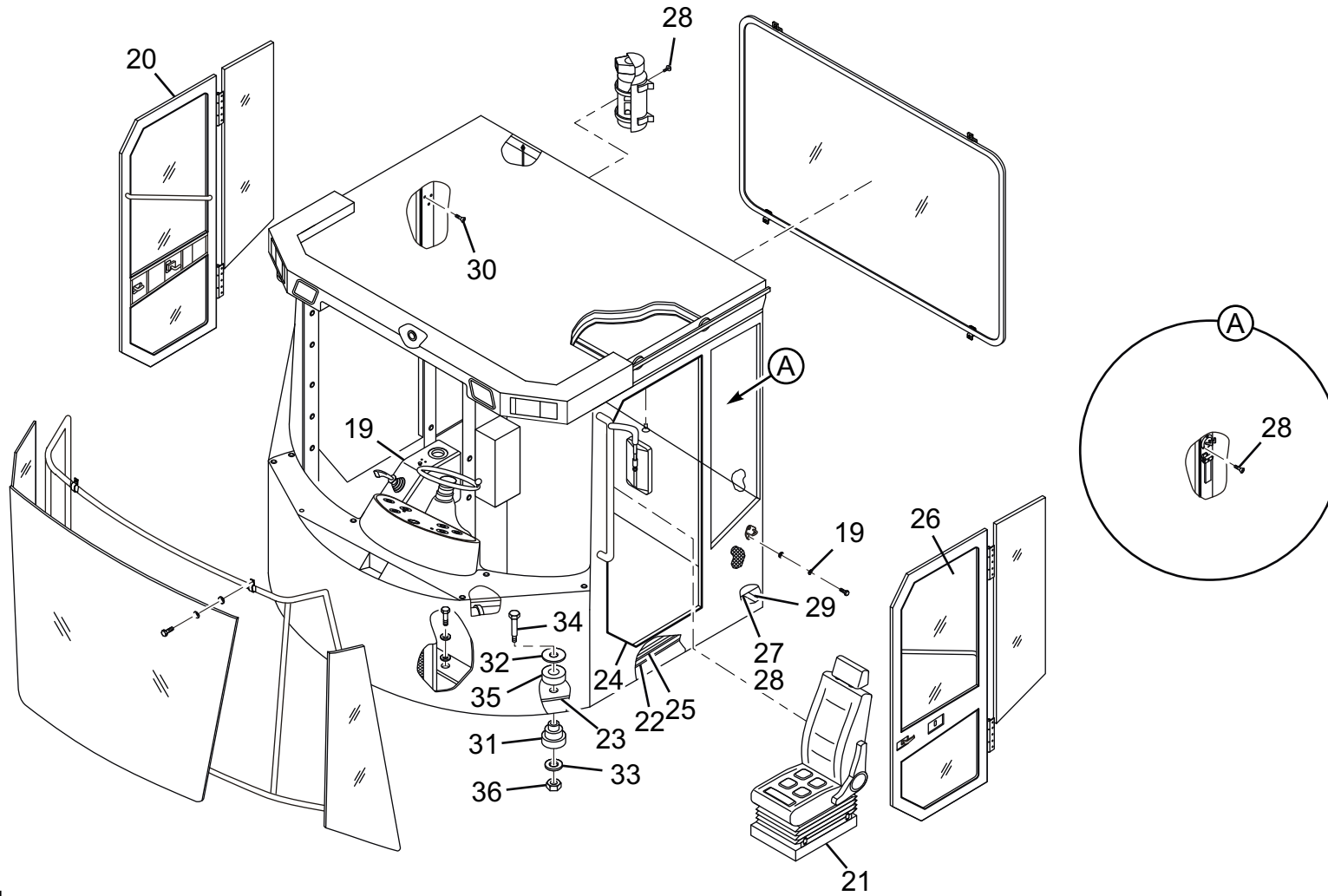
驾驶室系统 Cab system



CAB SYSTEM

驾驶室系统 Cab system						
Item	Parts number	Chinese Description	English Description	Specification	Qty	Remarks
1	CDM856D.12.01	驾驶室壳体	Cab		1	
2	CDM856E.12 I .07	左门	Left door		1	借用
3	LG863.12.03	上扶手	Toprail		2	借用
4	LG863.12.04	外顶前灯罩	Front lampshade		1	借用 / 外购
5	GB/T5783-2000	螺栓	Bolt	M6 × 25	13	8.8
6	GB/T93-1987	垫圈	Washer	6	19	
7	GB/T96.2-2002	垫圈	Washer	6	19	140HV
8	GB/T6170-2000	螺母	Nut	M6	13	8
9	LG853.12.08	倒车镜	Reverse mirror		2	借用 / 外购
10	LG863.12-001	前玻璃	Front windscreen		1	借用 / 外购
11	LG863.12-002	左前侧玻璃	Left side window glass		1	借用 / 外购
12	GB/T5783-2000	螺栓	Bolt	M16 × 35	7	8.8
13	GB/T93-1987	垫圈	Washer	16	7	65Mn
14	GB/T97.1-2002	垫圈	Washer	16	7	100HV
15	JB/T8870-1999	喉箍	Pipe clamp	Φ40-50	3	
16	CDM856E.12 I .03	先导操纵箱	Pilot control box		1	借用 / 外购
17	GB/T5783-2000	螺栓	Bolt	M8 × 25	5	8.8
18	GB/T93-1987	垫圈	Washer	8	15	

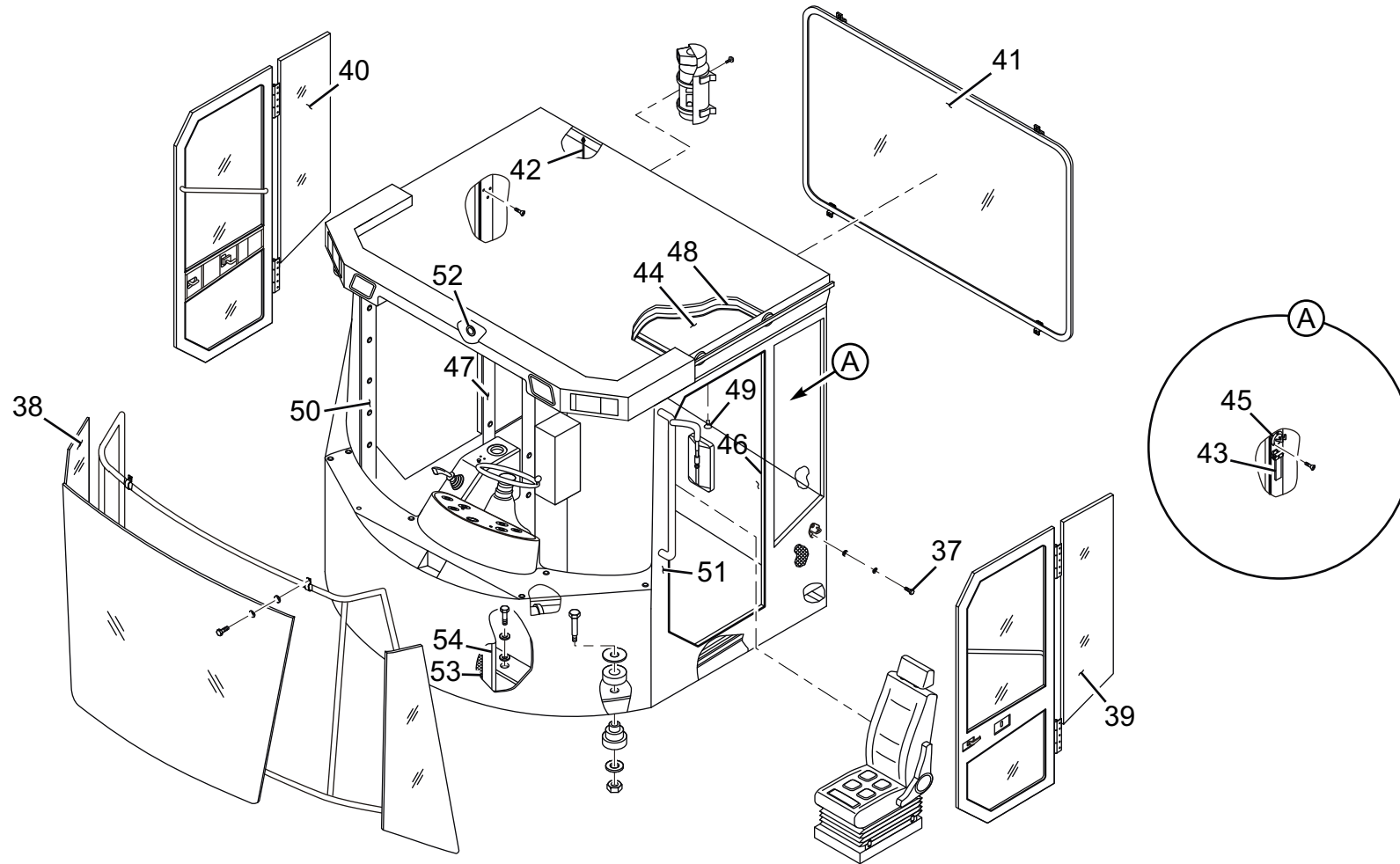
驾驶室系统 Cab system



CAB SYSTEM

驾驶室系统 Cab system						
Item	Parts number	Chinese Description	English Description	Specification	Qty	Remarks
19	GB/T97.1-2002	垫圈	Washer	8	15	140HV
20	CDM856E.12 I .08	右门	Right door		1	借用
21	LG856.12.11	司机座椅	Driver seat		1	天成SC7型带头枕扶手安全带
22	CDM856E.12 I .10	风道安装板	Air channel mounting plate		1	借用 / 外购
23	CDM856E.12 I .02	安装底座	Pedestal		1	借用
24	LG853.12.11	门框胶条	Doorframe rubber strip		2	3.33m / 件 / 借用 / 外购
25	CDM856E.12 I .11	空调出风波纹管	Air-conditioned wind bellows		1	借用 / 外购
26	CDM856E.12 I .07-001	左门上玻璃	Left door up glass		1	
27	CDM856E.12 I .09	空调聚风罩	Wind hood		1	借用 / 外购
28	GB/T845-1985	自攻螺钉	Taper screw	ST4.8 × 19	18	
29	CDM856E.12 I .12	空调出风后波纹管	Air-conditioned rear wind bellows		1	借用 / 外购
30	GB/T67-2000	螺钉	Screw	M5 × 16	3	5.8
31	LG853.12.05	橡胶垫	Rubber pad		4	借用 / 外购
32	LG855.12-009	垫圈	Washer		4	借用
33	LG853.12-010	垫圈	Washer		4	借用
34	LG853.12-011	销	Pin		4	借用
35	LG853.12-012	垫板	Tie plate		4	借用
36	GB/T889.2-2000	尼龙自锁螺母	Nylon locknut	M18 × 1.5	4	

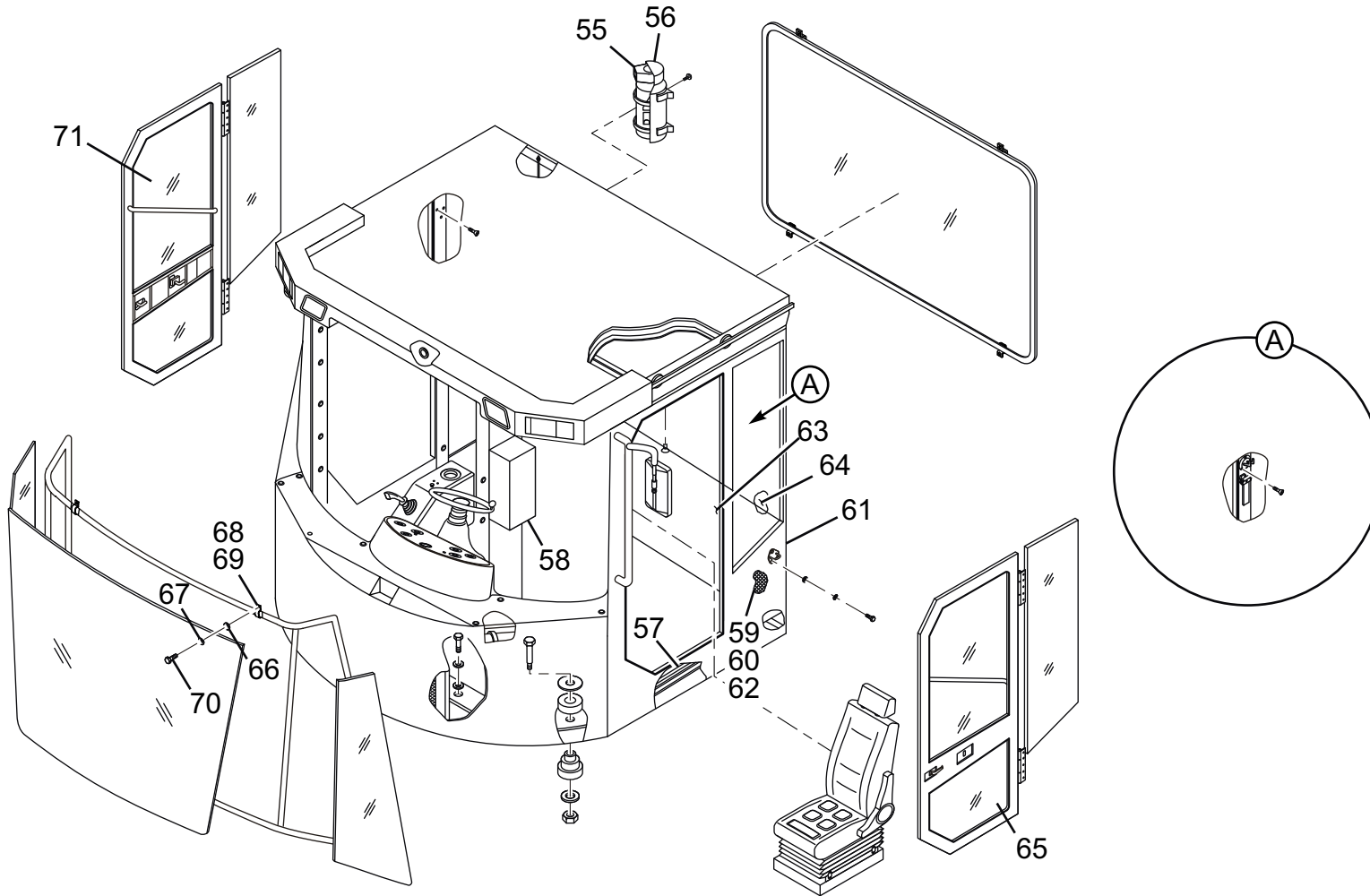
驾驶室系统 Cab system



CAB SYSTEM

驾驶室系统 Cab system						
Item	Parts number	Chinese Description	English Description	Specification	Qty	Remarks
37	GB/T5783-2000	螺栓	Bolt	M8 × 20	4	8.8
38	LG863.12-003	右前侧玻璃	Front right glass		1	借用 / 外购
39	LG863.12-004	左后侧玻璃	Left rear glass		1	借用
40	LG863.12-005	右后侧玻璃	Right rear glass		1	借用
41	LG863.12-006	后玻璃	Rear window glass		1	借用
42	LG30F.12-017	线束护线套	Wiring harness sheath		6	借用 / 外购
43	CDM858A.12 I .06	安全锤	Hammer		1	借用 / 外购
44	LG863.12-007	内顶衬	Roof lining		1	借用 / 外购
45	LG856.12-019	衣帽勾	Hat-and-coat hook		1	借用 / 外购
46	CDM856E.12 I -001	左后立柱	Left rear support		1	借用 / 外购
47	CDM856E.12 I -002	右后立柱	Right rear support		1	借用 / 外购
48	LG856.12-022	顶部吸音海绵	Ceiling sound absorption sponge		1	借用 / 外购
49	LG856.12-026	塑料铆钉	Plastic rivet		50	借用 / 外购
50	CDM856E.12 I -004	右前立柱	Right front support		1	借用 / 外购
51	CDM856E.12 I -003	左前立柱	Left front support		1	借用 / 外购
52	CDM858A.12 I -001	线束密封套	Wiring harness gland cover		2	借用 / 外购
53	CDM856E.12 I -005	前吸音海绵	Front sound absorption sponge		1	借用 / 外购
54	CDM856E.12 I -016	前装饰板	Front decoration board		1	借用 / 外购

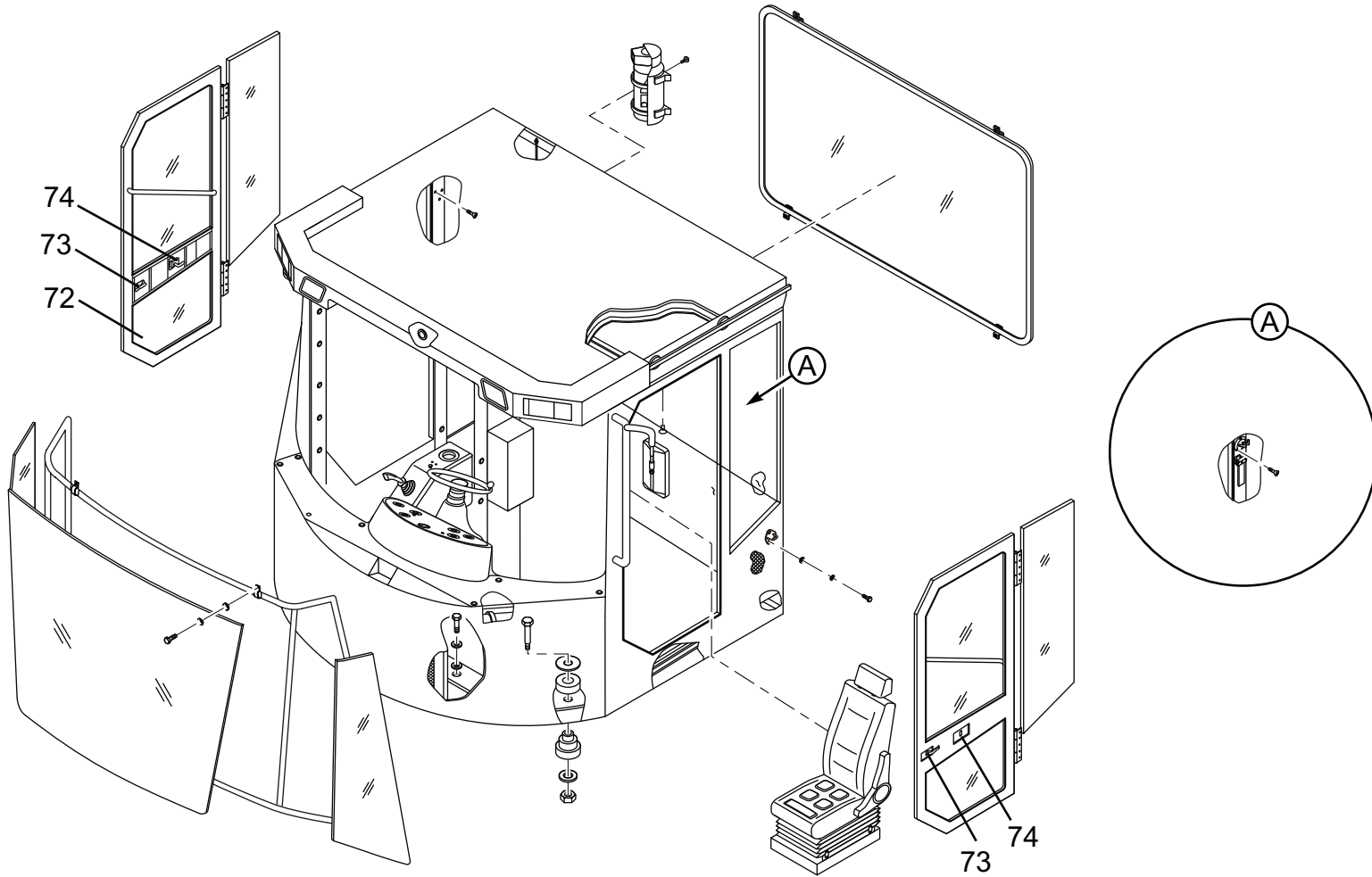
驾驶室系统 Cab system



CAB SYSTEM

驾驶室系统 Cab system						
Item	Parts number	Chinese Description	English Description	Specification	Qty	Remarks
55	CDM858A.12 I .05	灭火器	Fire extinguisher		1	借用 / 外购
56	CDM858A.12 I .09	灭火器安装支架	Fire extinguisher support		1	借用 / 灭火器自带
57	CDM856E.12 I -006	地垫	Ground pad		1	借用 / 外购
58	CDM856E.12 I .05	空调蒸发器保护罩	Hood of Air-conditioner Evaporation machine		1	借用
59	CDM856E.12 I -007	左后围板	Left rear boarding		1	借用 / 外购
60	LG856.12-024	侧面吸音海绵	Side sound absorption sponge		2	借用 / 外购
61	CDM856E.12 I -008	后围板	Rear boarding		1	借用 / 外购
62	CDM856E.12 I -009	右后围板	Right rear boarding		1	借用 / 外购
63	LG856.12-025	后吸音海绵	Rear sound absorption sponge		1	借用 / 外购
64	CDM856E.12 I -010	后装饰板	Rear decoration board		1	借用 / 外购
65	CDM856E.12 I .07-002	左门下玻璃	Left door down glass		1	
66	GB/97.1-2002	垫圈	Washer	5	16	140HV
67	GB/T93-1987	垫圈	Washer	5	16	65Mn
68	LG853.12-002	玻璃压板	Glass Plate		8	借用
69	LG856.12-028	玻璃固定橡胶垫	Glass fixed rubber pad		8	外购
70	GB/T818-2000	螺钉	Screw	M5 × 10	16	8.8
71	CDM856E.12 I .08-001	右门上玻璃	Right door up glass		1	

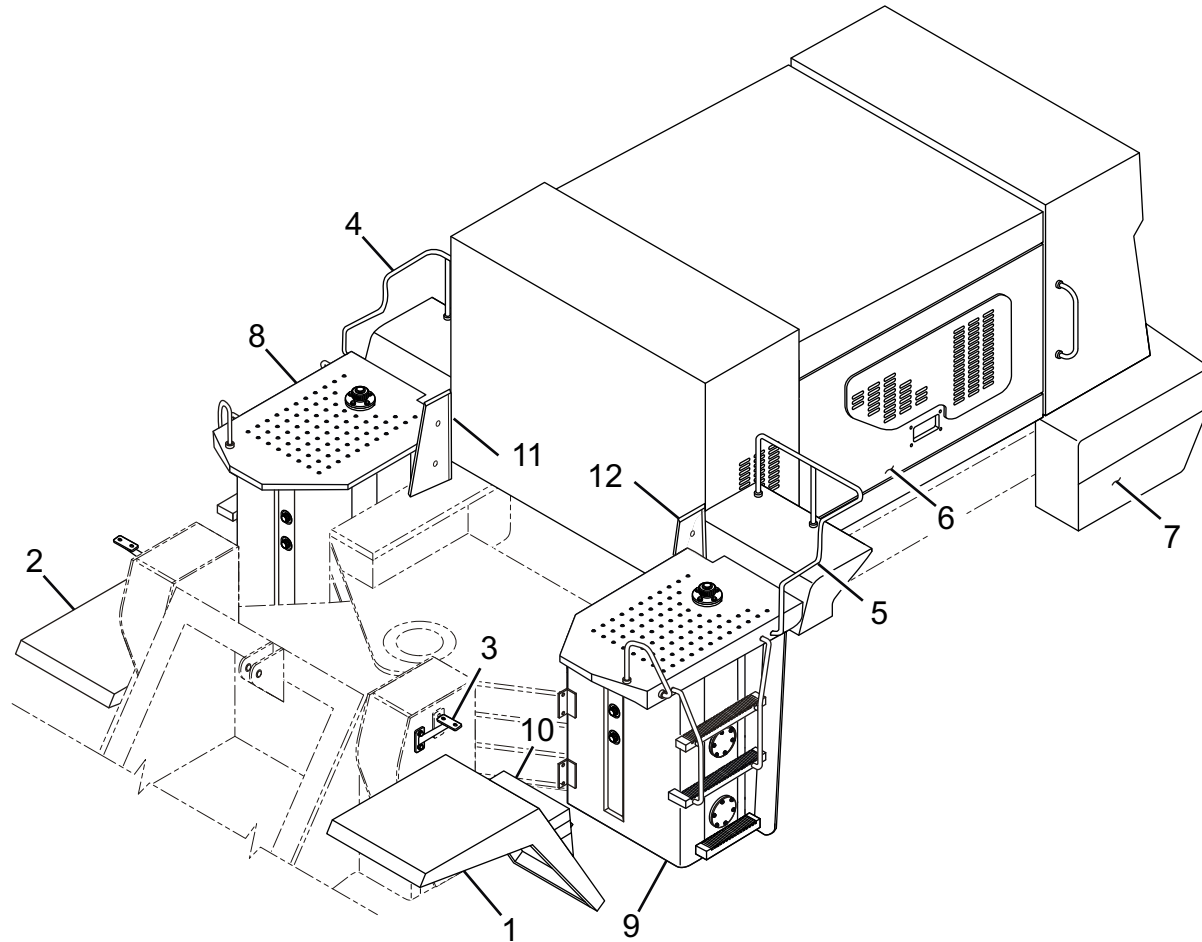
驾驶室系统 Cab system



CAB SYSTEM

驾驶室系统 Cab system						
Item	Parts number	Chinese Description	English Description	Specification	Qty	Remarks
72	CDM856E.12 I .08-002	右门下玻璃	Right door down glass		1	
73	LG856.12.02.02	门锁	Door lock		2	
74	LG856.12.02.03	碰锁	Stopper		2	

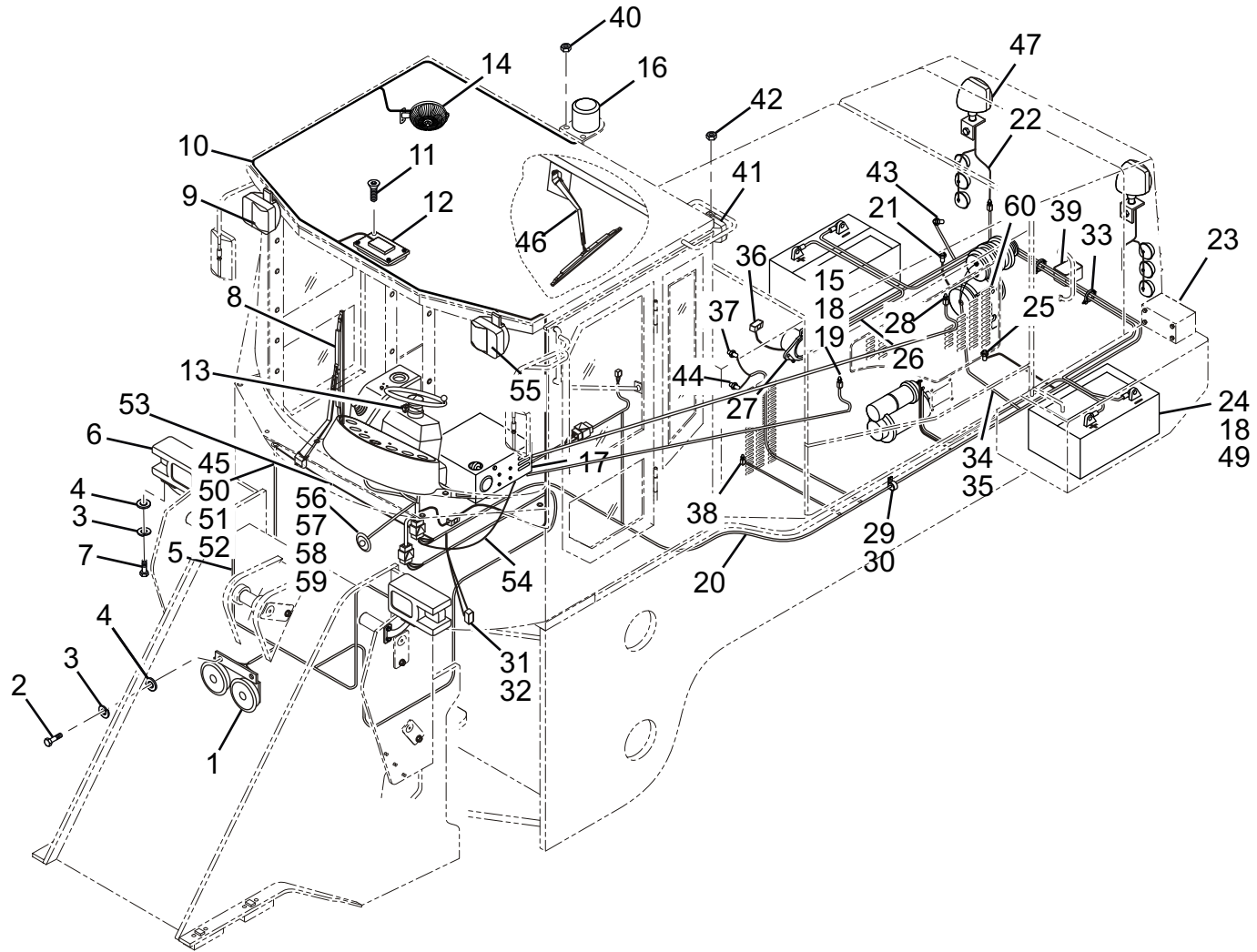
覆盖件系统 Out panel system



OUT PANEL SYSTEM

覆盖件系统 Out panel system						
Item	Parts number	Chinese Description	English Description	Specification	Qty	Remarks
1	CDM856E.13 I .01	前左挡泥板总成	Front left mudguard assembly		1	
2	CDM856E.13 I .02	前右挡泥板总成	Front right mudguard assembly		1	
3	LG853.13.03	组合灯支架	Combined lamp bracket		2	借用
4	CDM856E.13 II .04	后右挡泥板总成	Rear right mudguard assembly		1	
5	CDM856E.13 II .05	后左挡泥板总成	Rear left mudguard assembly		1	
6	CDM856E.13 I .06	机罩总成	Engine hood assembly		1	
7	CDM856E.13 I.07	平衡重总成	Counter weight assembly		1	
8	CDM856E.13 II .08	燃油箱总成	Fuel tank assembly		1	
9	CDM856E.13 II .09	液压油箱总成	Hydraulic oil tank assembly		1	
10	CDM853.16.04/05	三角铁	Iron chock		2	(随机配件)
11	CDM856E.13-001	右封板	Right close board		1	
12	CDM856E.13-002	左封板	Left close board		1	

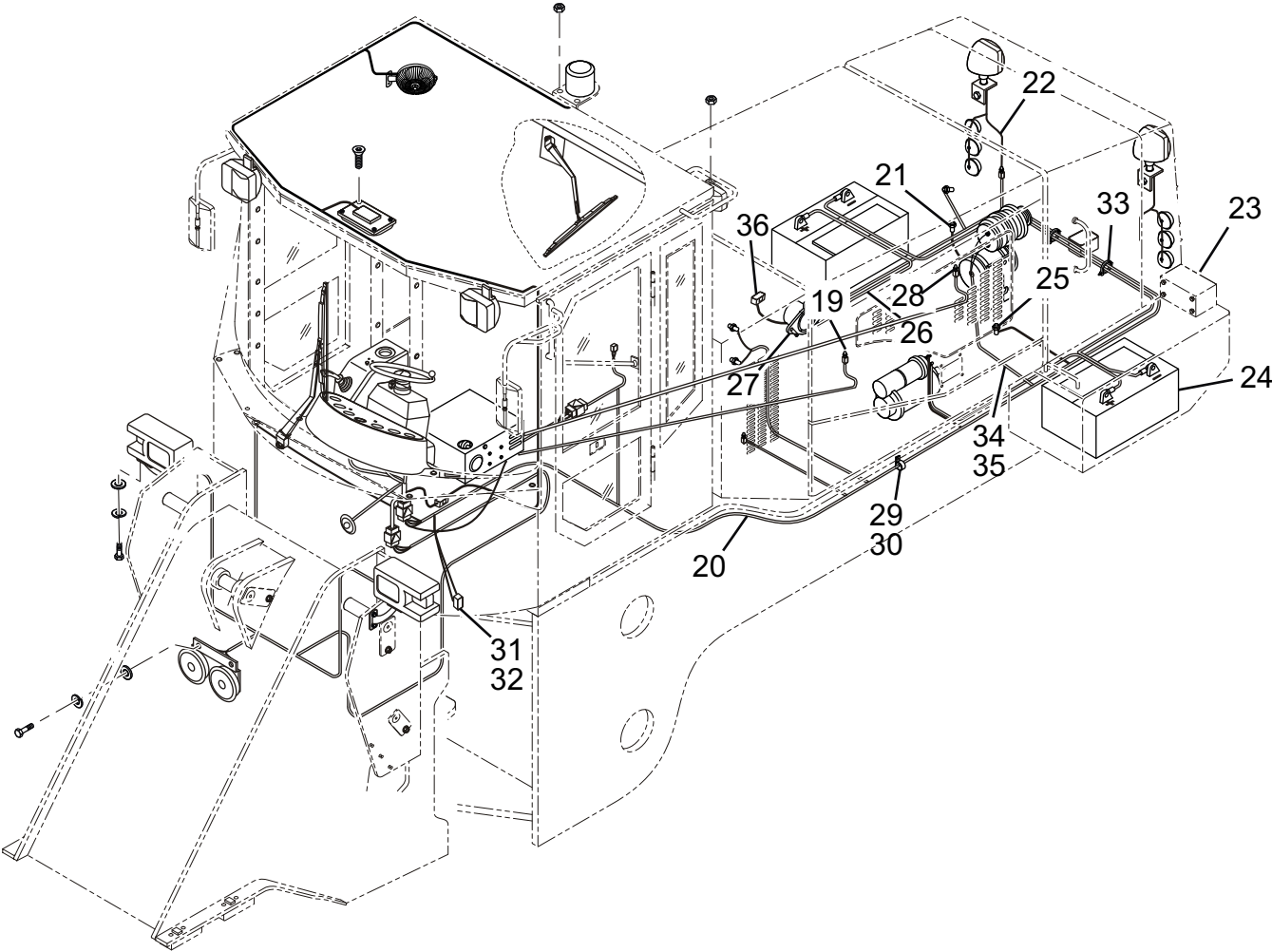
电器系统 Electrical system



ELECTRICAL SYSTEM

电器系统 Electrical system						
Item	Parts number	Chinese Description	English Description	Specification	Qty	Remarks
1	LG853.15.09	电喇叭总成	Electrical horn assembly	DL50D-24	1	
2	GB/T5783-2000	螺栓	Bolt	M8 × 16	4	8.8
3	GB/T93-1987	垫圈	Washer	8	28	
4	GB/T97.1-2002	垫圈	Washer	8	32	
5	CDM856E.15 I .01	前车架线束	Front frame harness		1	
6	LG853.15.10	前组合灯	Front combined lamp	HDF-02D (左、右)	2	左右各 1
7	GB/T5783-2000	螺栓	Bolt	M8 × 25	8	8.8
8	CDM856E.15 I .22	雨刮器总成	Wiper assembly	2D2531P	1	乐清汽车刮水器厂
9	LG856.15.23	前工作灯	Front working lamp		2	
10	CDM856D.15.02	驾驶室线束	Cab harness		1	
11	LG853.15.13	吸顶灯	Rectangle ceiling lamp	FD140 × 80	1	
12	GB/T845-1985	自攻螺钉	Taper screw	ST4.8 × 19	3	
13	CDM856D.15.60	仪表台总成	Instrument panel		1	
14	LG855.15.45	电风扇	Fan	SGF-03A	1	
15	CDM856E.15 I -002	暖风机进水接头	Heater inlet joint entry		1	
16	CDM858A.15 II .48	警示灯	Warning lamp	Sb4000	1	
17	CDM856E.15 I .19	电装空调总成	Air condition		1	
18	LG853.15.15.04	暖风机水阀	Heater valve		2	

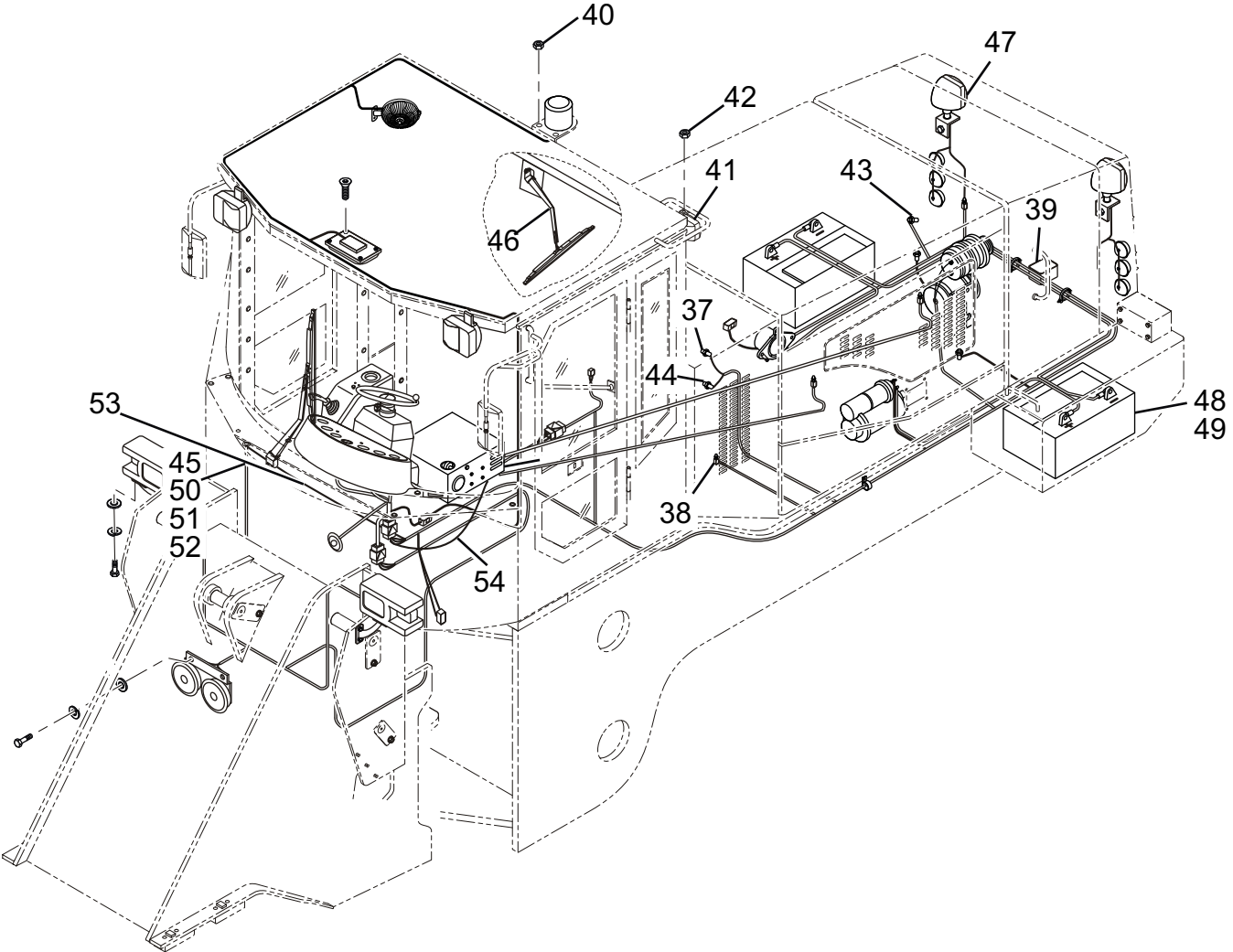
电器系统 Electrical system



ELECTRICAL SYSTEM

电器系统 Electrical system						
Item	Parts number	Chinese Description	English Description	Specification	Qty	Remarks
19	LG853.15.15.05	喉箍	Hoop	φ 16-25	2	
20	CDM856E.15 I .03	后车架线束	Rear frame harness		1	
21	CDM856E.15 I .26	发动机水温传感器	Engine water temperature sensor	M14 × 1.5	1	仪表台总成带
22	CDM856.15 V .04	后罩灯线束	Rear hood light harness		1	
23	LG50C.15 I .28	后尾灯	Taillights	SY-022	2	
24	LG853.15.26	蓄电池	Battery	N120 (12V120AH)	2	
25	LG853.15.27	低压报警开关	Low pressure warning switch	Sh361	3	
26	CDM856E.15 I .05	电瓶线	Battery harness		1	单位: 组
27	CDM858A.15 II .50	电源总开关	Main power switch		1	上海金蔚
28	CDM856E.15 I -001	暖风机回水接头	Heater inlet joint return		1	
29	CDM855.15 V .53	线夹	Wire clip	φ 40	3	
30	CDM855.15 V .51	连教条喉箍	Hoop	φ 30	3	
31	LG853.15.30	制动灯开关	Brake lamp switch	JN150	1	
32	CDM856E.15 I .33	制动气压传感器	Brake air press sensor	R 1/8	1	
33	LG853.15-001	尼龙扎带	Nylon strip	ZD250 × 5	40	
34	CDM856E.15 I .08	发电机线束	Alternator harness		1	
35	CDM856E.15 I .10	发电机接地线	Generator grounding		1	
36	LG855.15.43	压差发讯器	Pressure difference message sender	CMS-I	1	

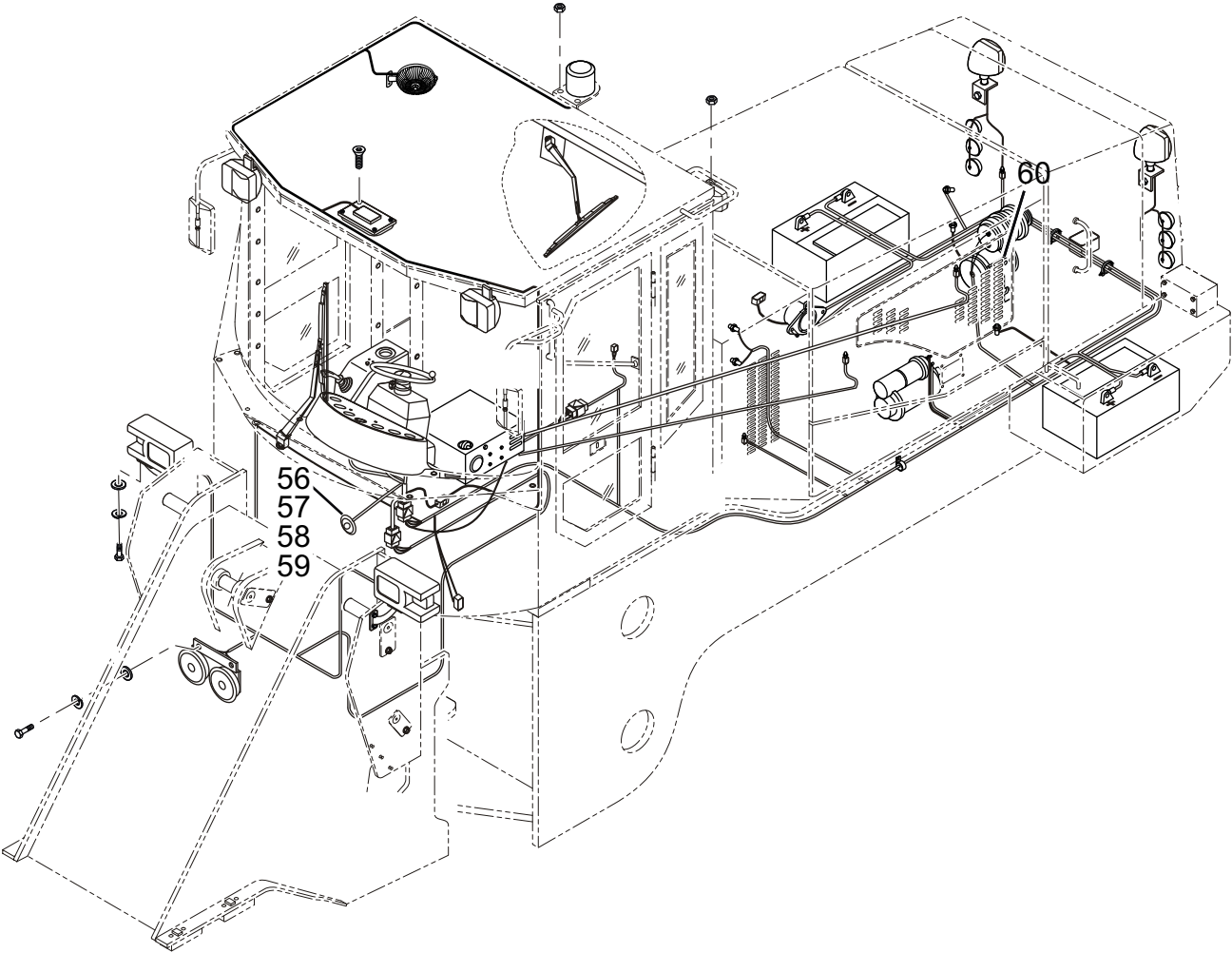
电器系统 Electrical system



ELECTRICAL SYSTEM

电器系统 Electrical system						
Item	Parts number	Chinese Description	English Description	Specification	Qty	Remarks
37	LG856.15.30	油温传感器	Oil temperature sensor	NPT 3/8	1	仪表台总成带
38	LG855.15.44	压力式发讯器	Pressure type message sender	CY-11	1	
39	CDM855E.15 II .20	倒车蜂鸣器	Back up buzzer	JWL-FM212/24V	1	上海金蔚
40	GB/T923	盖型螺母	Cap nuts	M10	3	
41	CDM858A.15 II .23	工作灯	Work lamp	SY-007	2	
42	GB/T923	盖型螺母	Cap nuts	M12	2	
43	CDM856E.15 I .29	机油压力传感器	Engine oil press sensor	1/8-27NPTF	1	
44	LG856.15.32	变速油压报警开关	Transmission oil press alarm switch	NPT 1/8	1	
45	LG856.15.31	燃油油位传感器	Fuel level sensor	NPT 3/8	1	
46	LG30F.15.11	雨刮器总成	Woper assembly	ZD2332A 65 °	1	
47	LG856.15.27	后工作灯	Rear work lamp		2	
48	GB/T5783-2000	螺栓	Bolt	M8 × 30	4	8.8
49	GB/6170-2000	螺母	Nut	M8	4	8
50	GB/T67-2000	螺钉	Screw	M5 × 16	4	5.8
51	GB/T97.1-2002	垫圈	Washer	5	4	
52	GB/T93-1987	垫圈	Washer	5	4	
53	CDM856D.15.06	仪表台线束	Instrument harness		1	
54	CDM856E.15 I .09	空调线束	AC system harness		1	

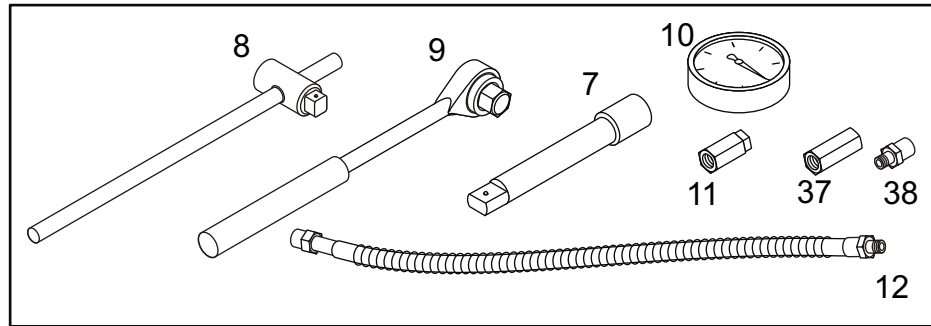
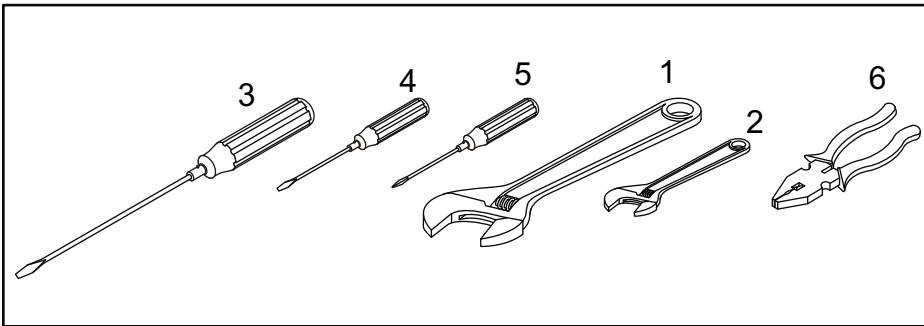
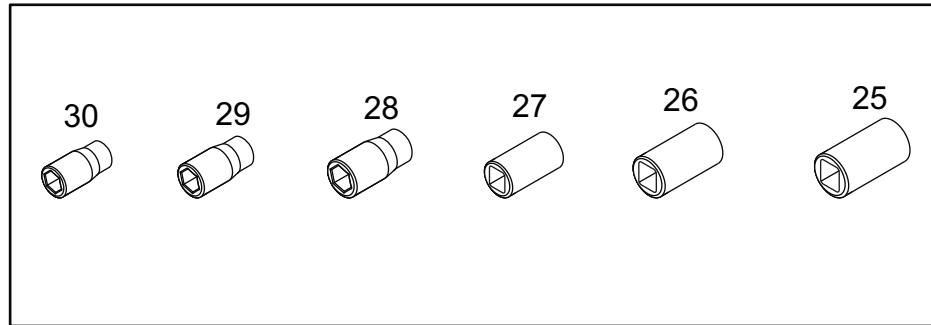
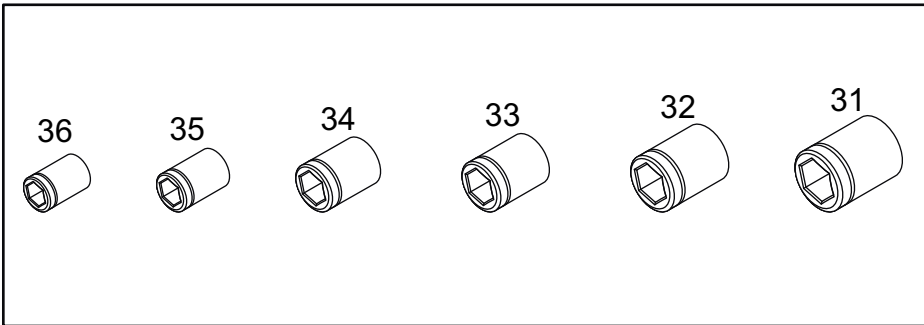
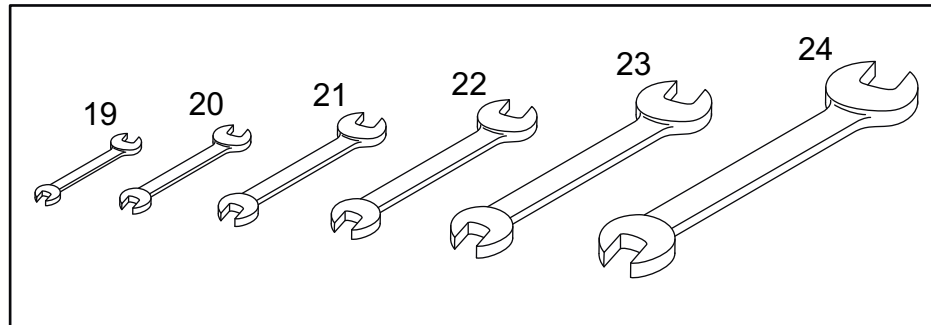
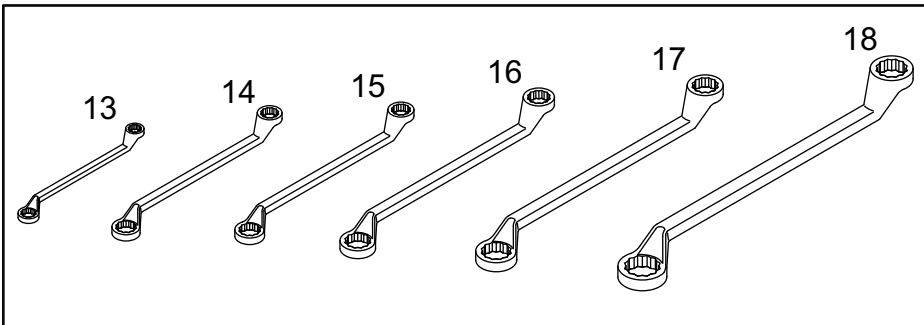
电器系统 Electrical system



ELECTRICAL SYSTEM

电器系统 Electrical system						
Item	Parts number	Chinese Description	English Description	Specification	Qty	Remarks
55	LG856.15.24	前转向灯	Front steering lamp		2	
56	CDM855E.15 II .50	冷启动系统	Cold start system	YRZZ2455-6	1	
57	CDM855E.15 II -001	冷启动安装板	Cold start mounting panel		1	
58	GB/T67-2000	螺钉	Screw	M5 × 16	4	
59	GB/T97.1-2002	垫圈	Washer	5	17	
60	CDM856E.15 I .46	空调压缩机支架	Compressor bracket		1	

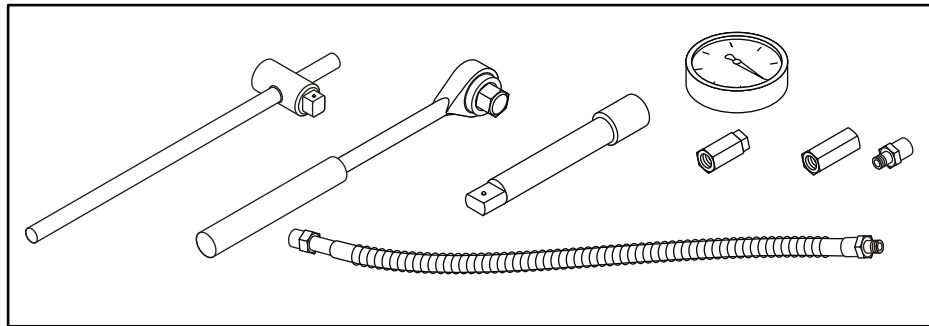
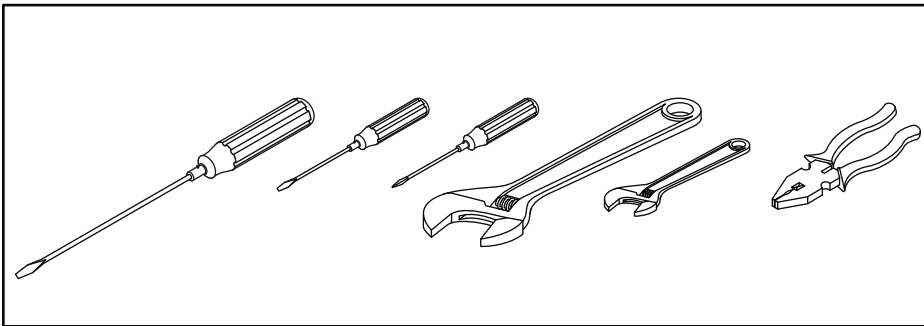
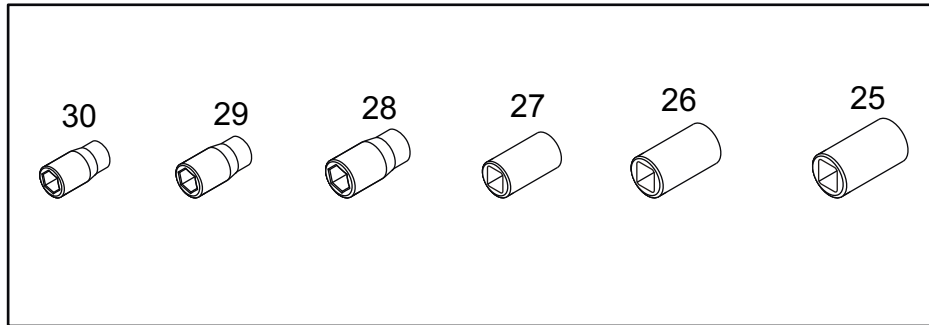
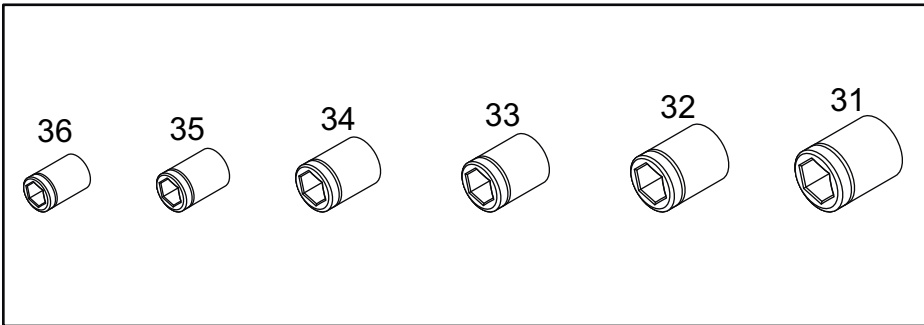
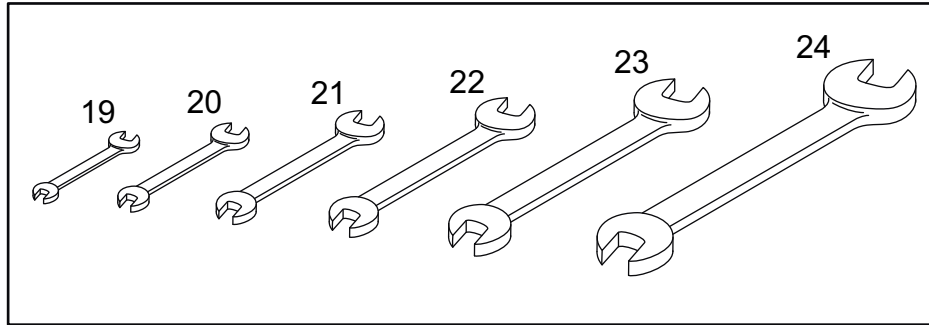
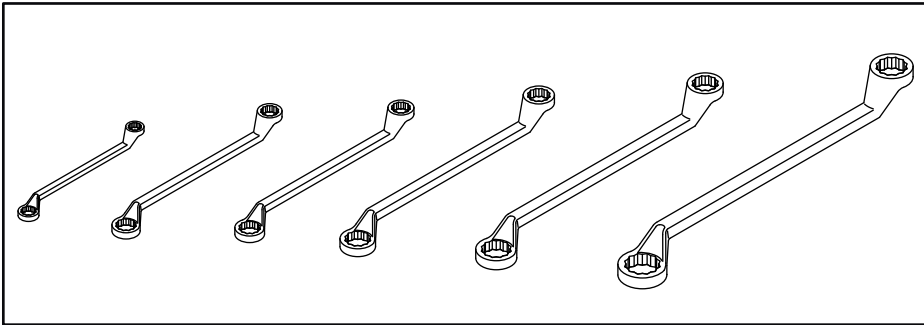
随机工具 Tool kit



TOOL KIT

随机工具 Tool kit					
Item	Chinese Description	English Description	Specification	Qty	Remarks
1	活动扳手	Shifting spanner	375mm	1	
2	活动扳手	Shifting spanner	200mm	1	
3	一字螺丝刀	Flat screw driver	250mm	1	
4	一字螺丝刀	Flat screw driver	125mm	1	
5	十字螺丝刀	Cross screw driver	125mm	1	
6	钢丝钳	Pliers		1	
7	短接杆	Short connecting rod		1	
8	棘轮柄	Ratchet handle		1	
9	滑行柄	Sliding handle		1	
10	压力表	Pressure gauge		1	
11	压力表接头	Pressure gauge connector		1	
12	制动软管	Brake hose	NJ130	1	
13	梅花扳手	Offset ring spanner	10-12	1	
14	梅花扳手	Offset ring spanner	13-15	1	
15	梅花扳手	Offset ring spanner	14-17	1	
16	梅花扳手	Offset ring spanner	17-19	1	
17	梅花扳手	Offset ring spanner	22-24	1	
18	梅花扳手	Offset ring spanner	27-30	1	

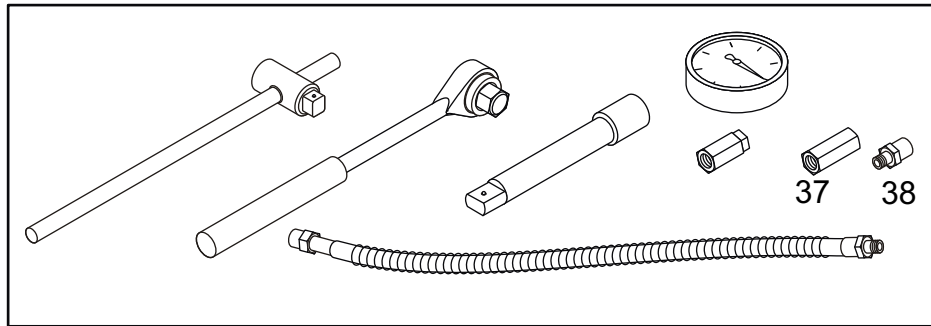
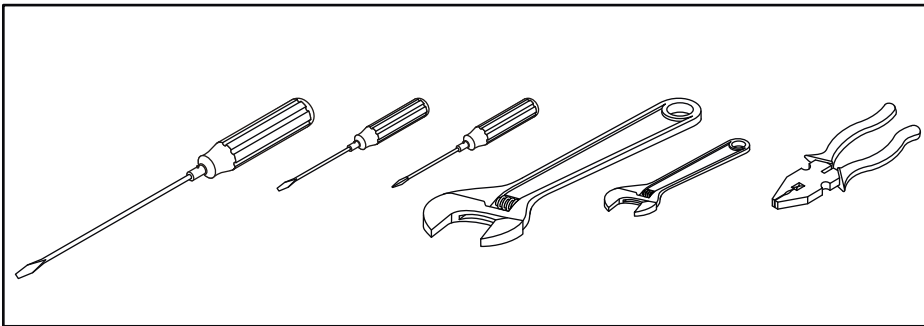
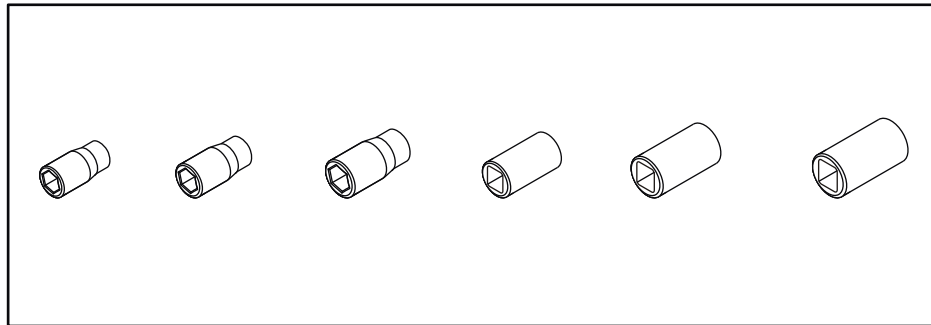
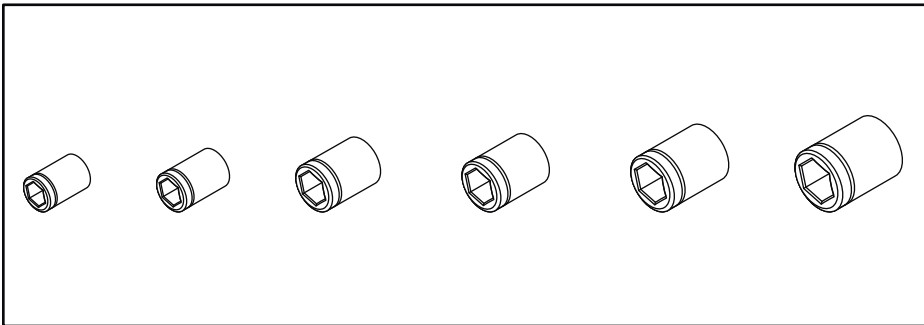
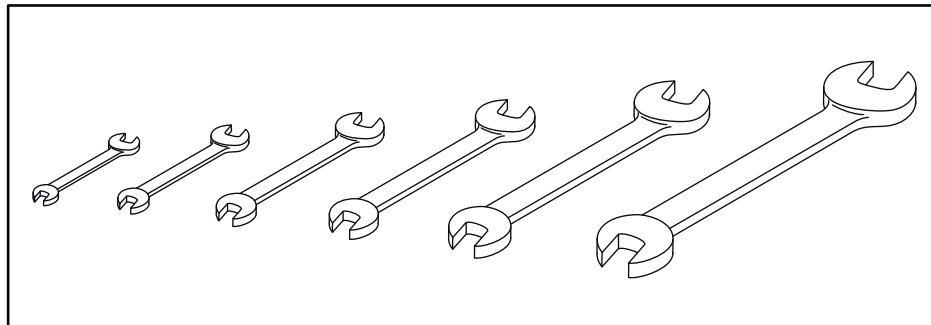
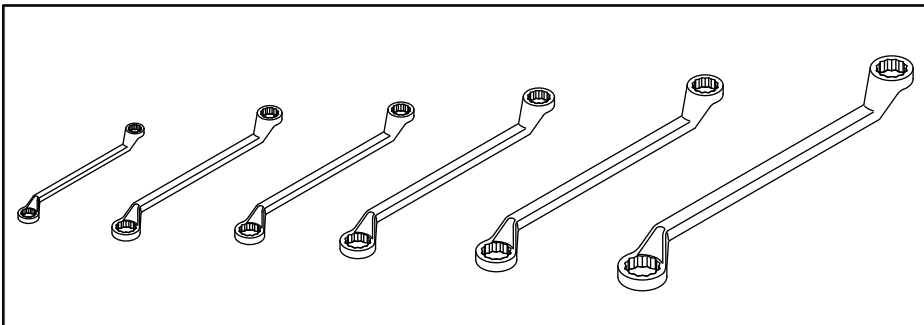
随机工具 Tool kit



TOOL KIT

随机工具 Tool kit					
Item	Chinese Description	English Description	Specification	Qty	Remarks
19	呆扳手	Non-shifting spanner	10-12	1	
20	呆扳手	Non-shifting spanner	13-15	1	
21	呆扳手	Non-shifting spanner	14-17	1	
22	呆扳手	Non-shifting spanner	16-18	1	
23	呆扳手	Non-shifting spanner	22-24	1	
24	呆扳手	Non-shifting spanner	17-30	1	
25	套筒	Socket	Φ 32	1	
26	套筒	Socket	Φ 27	1	
27	套筒	Socket	Φ 24	1	
28	套筒	Socket	Φ 22	1	
29	套筒	Socket	Φ 19	1	
30	套筒	Socket	Φ 18	1	
31	套筒	Socket	Φ 17	1	
32	套筒	Socket	Φ 16	1	
33	套筒	Socket	Φ 14	1	
34	套筒	Socket	Φ 13	1	
35	套筒	Socket	Φ 12	1	
36	套筒	Socket	Φ 11	1	

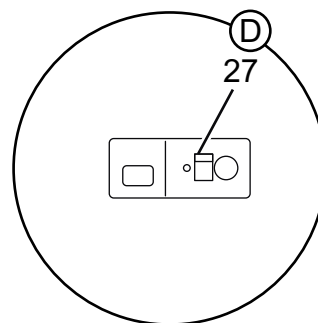
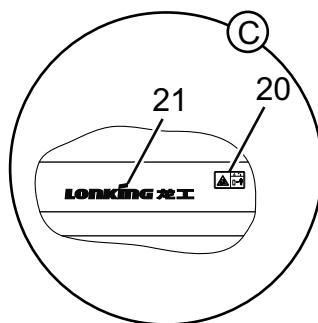
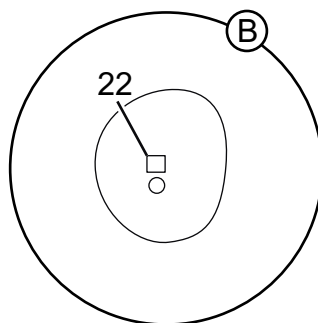
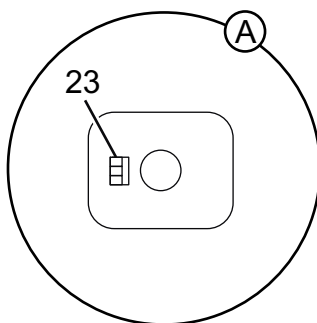
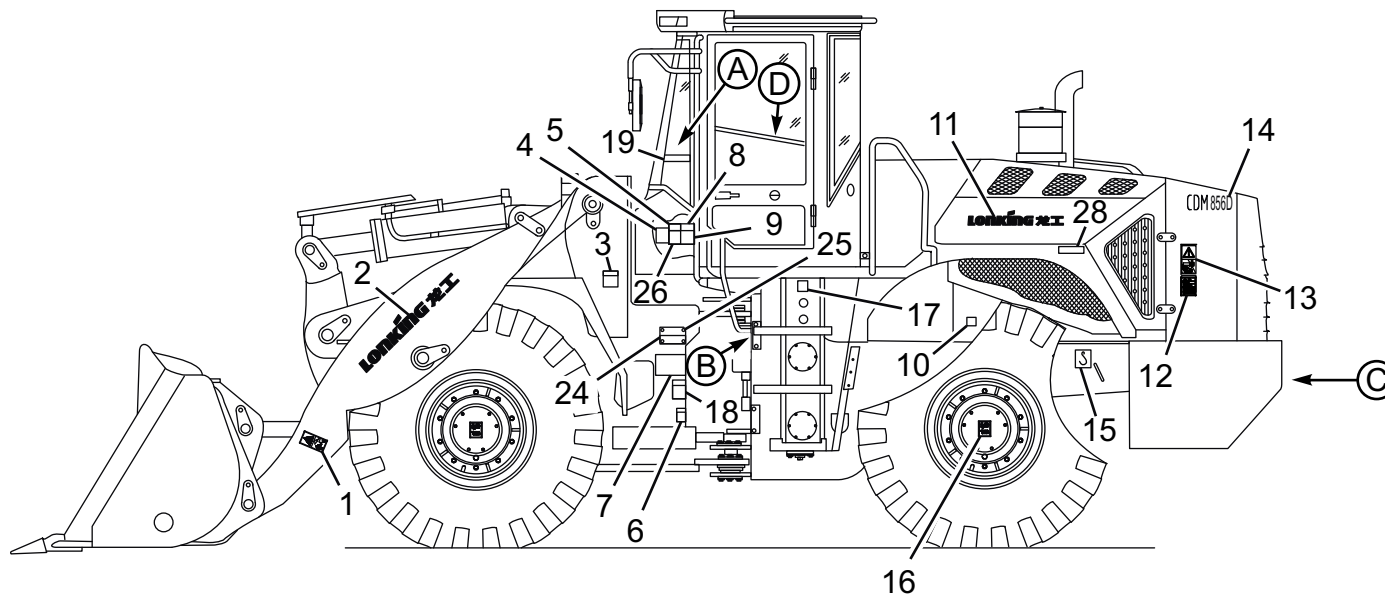
随机工具 Tool kit



TOOL KIT

随机工具 Tool kit					
Item	Chinese Description	English Description	Specification	Qty	Remarks
37	直接头	Straight connector		1	
38	测压接头	Pressure connector		1	

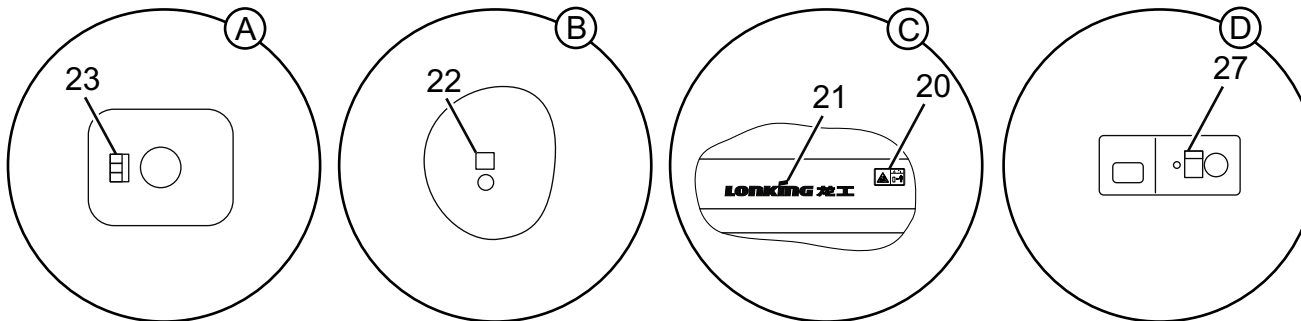
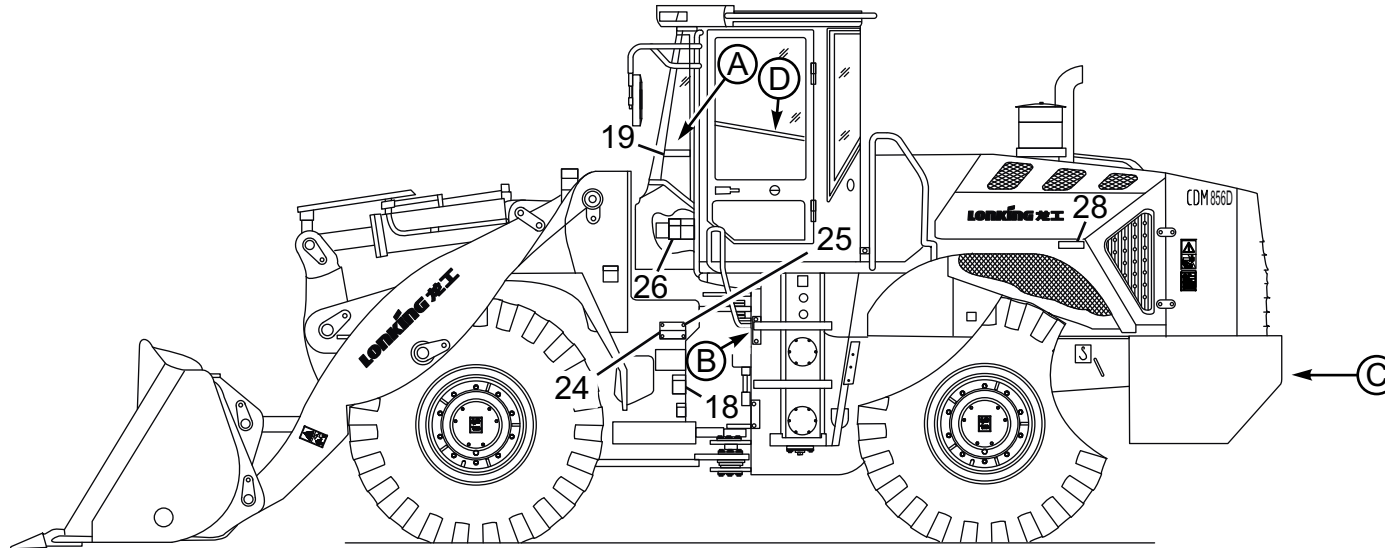
警告标识 Warning Mark System



WARNING MARK SYSTEM

警告标识 Warning Mark System						
Item	Parts number	Chinese Description	English Description	Specification	Qty	Remarks
1	LG853.14-001	动臂安全标志	Lift arm warning label		2	借用
2	LG855.14 I -002	动臂用"LONKING龙工"	"LONKING龙工" on lift arm		2	借用
3	CDM856E.14-001	禁止踩踏警告标志	Don't step on it-warning label		2	借用
4	CDM855E.14 I -009	机体焊接警告标志	Machine welding warning label		1	借用
5	LG853.14-014	起动前准备工作	Points to note before starting		1	借用, 贴左侧
6	CDM855E.14 I -007	停车警告标志	Safe parking warning label		1	借用
7	LG856.14-002	黄油嘴分布图	Grease fitting distribution map		1	借用, 贴左侧玻璃
8	LG855.14 I -021	机器保养及定检要求	Maintenance and regular inspection requirement		1	借用, 贴右侧玻璃
9	LG853.14-015	警告用户	Warning		1	借用, 贴左侧
10	LG856.14-005	先导操纵标识	Implement control label		1	借用, 贴右侧
11	LG855.14 I -005	机罩用"LONKING龙工"	"LONKING龙工" on engine hood		2	借用
12	LG853.14-006	电瓶接线标志	Battery connecting wire label		2	借用
13	LG853.14-007	风扇警告标志	Fan warning label		2	借用
14	CDM856E.14-002	后罩标志	Rear hood label		2	
15	LG853.14-011	起吊标志	Lifting label		4	借用
16	CDM855E.14 I -010	轮边减速警告标志	wheel side reduction warning label		4	借用
17	LG853.14-012	液压油标识	Hydraulic oil label		1	借用

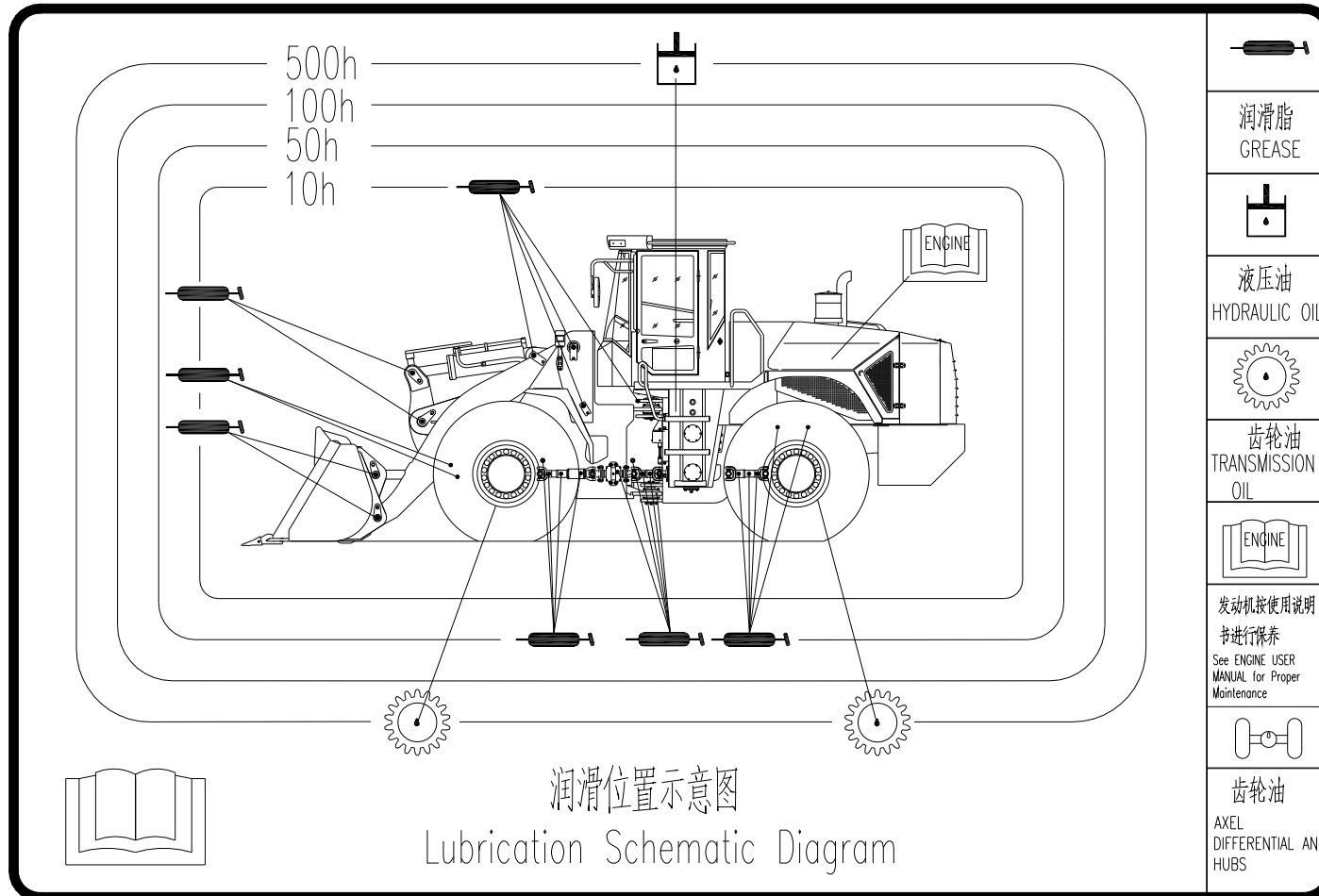
警告标识 Warning Mark System



WARNING MARK SYSTEM

警告标识 Warning Mark System						
Item	Parts number	Chinese Description	English Description	Specification	Qty	Remarks
18	LG853.14-003	铰接安全标志	Articulation safety label		2	借用
19	CDM855E.14 I -008	维修及运输警告标志	Maintain and transportation warning		1	借用
20	CDM855E.14 I -005	倒车警告标志	Back up warning label		1	借用
21	LG855.14 I -019	配重后 "LONKING龙工"	"LONKING龙工" on counterweight		2	借用
22	LG853.14-017	燃油标识	Fuel label		1	借用
23	LG856.14-006	档位标识	Gear label		1	借用
24	CDM856E.14-003	铭牌	Nameplate		1	
25	GB/T12618	开口型扁圆头抽芯铆钉	Mushroom head break mandrel blind rivets	Φ4 × 13	4	
26	LG856.14-008	洗涤剂水壶标识	Flusher container label		1	借用
27	CDM835E.14-004	紧急制动操作警告标识	Emergency braking warning label		1	
28	CDM835E.14-005	高温处防止烫伤警告标识	Prevent burning warning label		2	不干胶

Greasing Points Indication Layout



GREASING POINTS INDICATION LAYOUT

